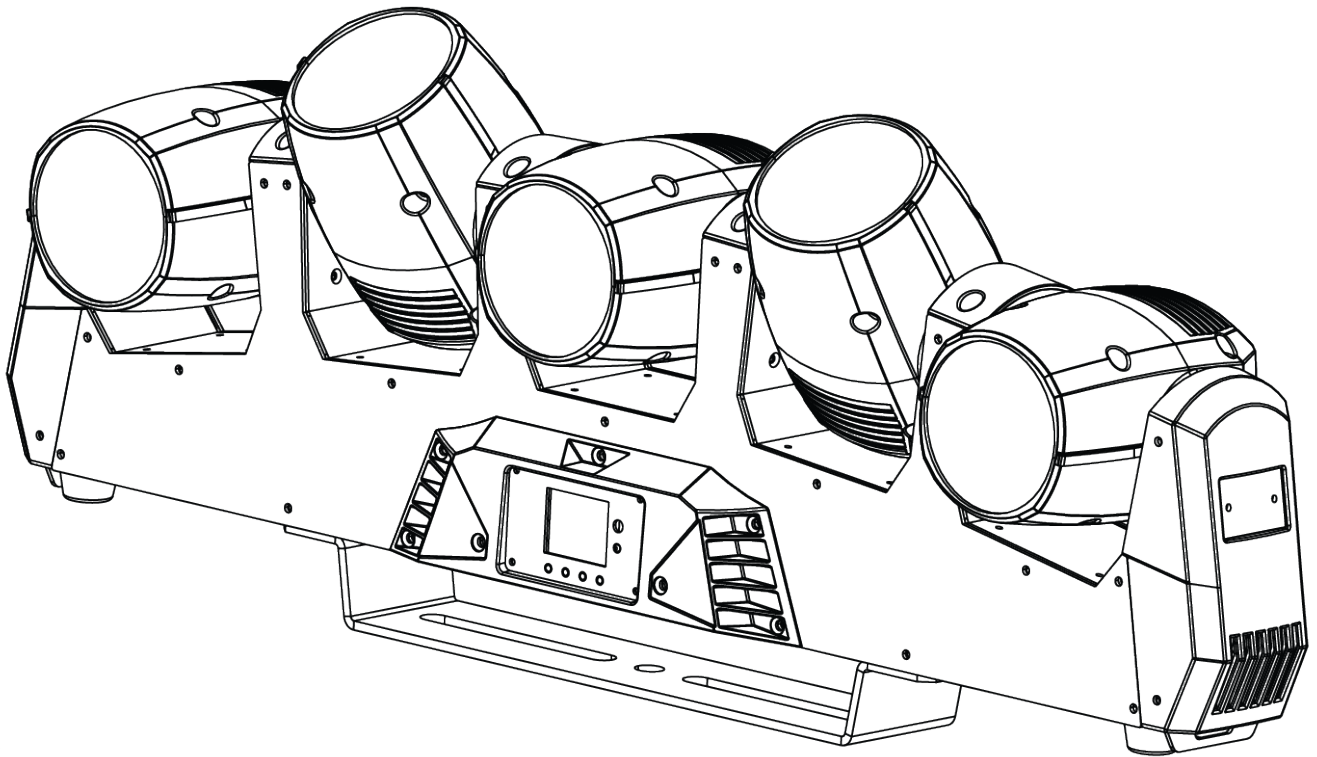


INTIMIDATOR™

WAVE IRC

User Manual



CHAUVET®
It's **Green** Thinking.™

TABLE OF CONTENTS

1. Before You Begin	4
What Is Included.....	4
Unpacking Instructions	4
Claims	4
Text Conventions	4
Symbols.....	4
Disclaimer.....	4
Product at a Glance.....	5
Safety Notes.....	5
2. Introduction	6
Overview.....	6
Dimensions.....	7
3. Setup	8
AC Power	8
Fuse Replacement	8
Power Linking.....	9
Mounting.....	10
Orientation.....	10
Rigging	10
4. Operation	11
Control Panel Operation.....	11
Menu Map.....	11
Configuration (DMX).....	11
Starting Address.....	11
DMX Personalities	12
Master Auto	12
4-Head Program.....	12
Master Auto.....	13
2-Head Program.....	13
Master Auto.....	13
1-Head Program.....	13
DMX Assignments.....	14
34CH	14
DMX Assignments (Cont.)	15
34CH	15
DMX Assignments (Cont.)	16
34CH	16
DMX Assignments (Cont.)	17
34CH	17
DMX Assignments (Cont.)	18
34CH	18
DMX Assignments (Cont.)	19
34CH	19
DMX Assignments (Cont.)	20
34CH	20
DMX Assignments (Cont.)	21
14CH	21
DMX Assignments (Cont.)	22

14CH	22
DMX Assignments (Cont.)	23
14CH	23
DMX Assignments (Cont.)	24
14CH	24
DMX Assignments (Cont.)	25
14CH	25
DMX Assignments (Cont.)	26
14CH	26
Configuration (Standalone)	27
Sound-Active Mode	27
Automatic Mode.....	27
Manual Reverse Tilt Operation	27
Manual Tilt Angle Range	27
Display Blackout and Reverse.....	28
Master/Slave Mode.....	28
Reset Software	28
Factory Defaults	28
5. Technical Information	29
Product Maintenance	29
6. Technical Specifications.....	30
Returns	31
Contact Us	32

1. BEFORE YOU BEGIN

What Is Included

- Intimidator™ Wave IRC
- Hanging bracket with mounting hardware
- Power cord
- Warranty card
- Quick Reference Guide

Unpacking Instructions

Carefully unpack the product immediately and check the container to make sure all the parts are in the package and are in good condition.

Claims




If the box or the contents (the product and included accessories) appear damaged from shipping, or show signs of mishandling, notify the carrier immediately, not Chauvet. Failure to report damage to the carrier immediately may invalidate your claim. In addition, keep the box and contents for inspection.

For other issues, such as missing components or parts, damage not related to shipping, or concealed damage, file a claim with Chauvet within 7 days of delivery.

Text Conventions

Convention	Meaning
1–512	A range of values
50/60	A set of values of which only one can be chosen
Settings	A menu option not to be modified
Menu > Settings	A sequence of menu options to be followed
<ENTER>	A key to be pressed on the product's control panel
ON	A value to be entered or selected

Symbols

Symbol	Meaning
	Critical installation, configuration, or operation information. Not following these instructions may make the product not work, cause damage to the product, or cause harm to the operator.
	Important installation or configuration information. The product may not function correctly if this information is not used.
	Useful information.

Disclaimer

The information and specifications contained in this User Manual are subject to change without notice. Chauvet assumes no responsibility or liability for any errors or omissions, and reserves the right to revise or recreate this manual at any time. Download the latest version from www.chauvetlighting.com.

© Copyright 2014 Chauvet All rights reserved.

Electronically published by Chauvet in the United States of America.

Author	Date	Editor	Date
M. Trouard	10/17/2014	A. Leon	11/3/14

Product at a Glance

Use on Dimmer	X	Auto Programs	P
Outdoor Use	X	Auto-ranging Power Supply	P
Sound-Activated	P	Replaceable Fuse	P
DMX	P	User-Serviceable	X
Master/Slave	P		

Safety Notes

These notes include important information about the mounting, usage, and maintenance of this product; read before using the product.



- Always connect the product to a grounded circuit to avoid the risk of electrocution.
- Always disconnect the product from the power source before cleaning or replacing the fuse.
- Avoid direct eye exposure to the light source while the product is on.
- Make sure the power cord is not crimped or damaged.
- Never disconnect the product from power by pulling or tugging on the cord.
- If mounting the product overhead, always secure to a fastening device using a safety cable.
- Make sure there are no flammable materials close to the product when operating.
- Do not touch the product's housing when operating because it may be very hot.



- Always make sure that the voltage of the outlet to which you are connecting the product is within the range stated on the decal or rear panel of the product.
- The product is for indoor use only! (IP20) To prevent risk of fire or shock, do not expose the product to rain or moisture.
- Always install the product in a location with adequate ventilation, at least 20 in (50 cm) from adjacent surfaces.
- Be sure that no ventilation slots on the product's housing are blocked.
- Never connect the product to a dimmer.
- Make sure to replace the fuse with another of the same type and rating.
- Never carry the product from the power cord or any moving part. Always use the hanging/mounting bracket or the handles.
- The maximum ambient temperature (Ta) is 104 °F (40 °C). Do not operate the product at higher temperatures.
- In the event of a serious operating problem, stop using the product immediately.
- Never try to repair the product. Repairs carried out by unskilled people can lead to damage or malfunction. Contact the nearest authorized technical assistance center.
- This product is not intended for permanent installation.
- To eliminate unnecessary wear and improve its lifespan, during periods of non-use completely disconnect the product from the power via breaker or by unplugging it.

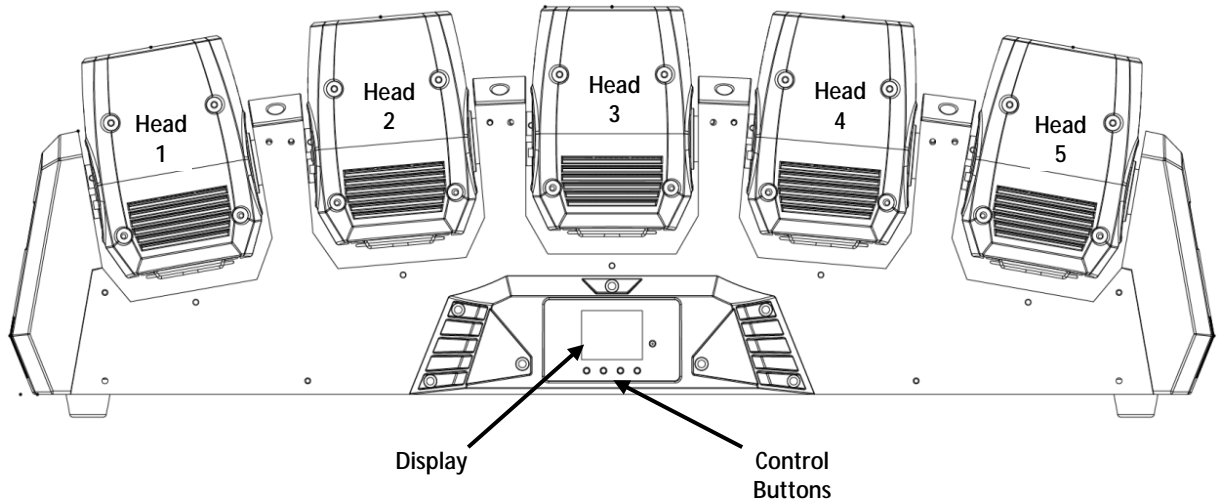


Keep this User Manual for future use. If you sell the product to another user, be sure to give this document to the next owner.

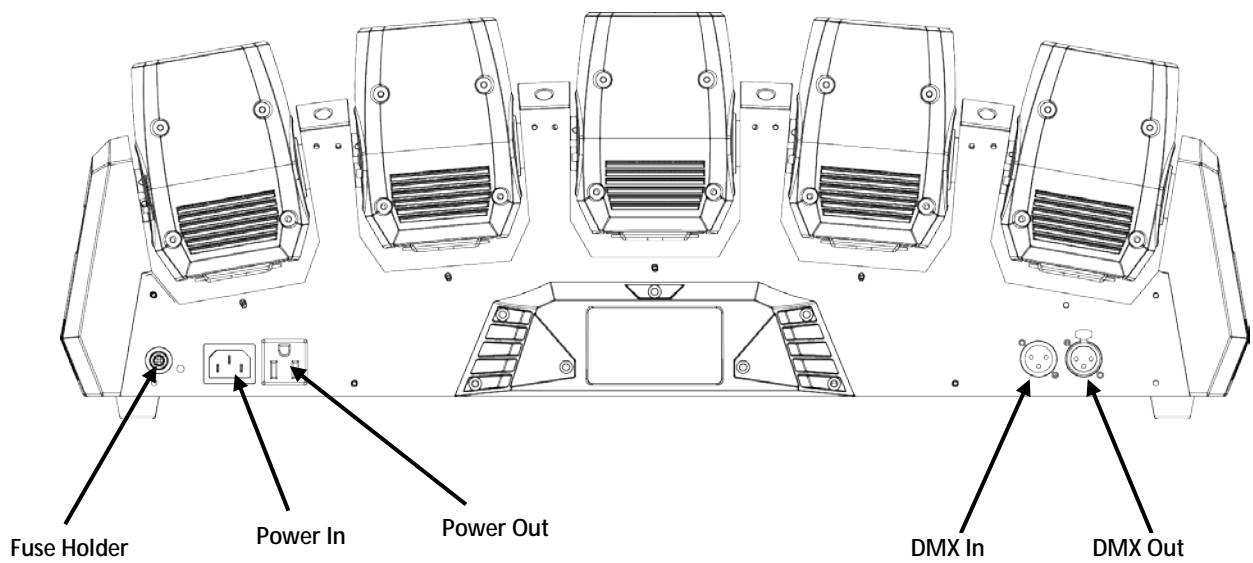
2. INTRODUCTION

Overview

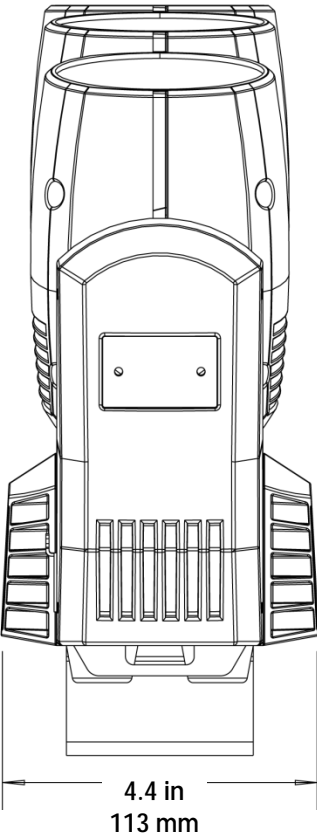
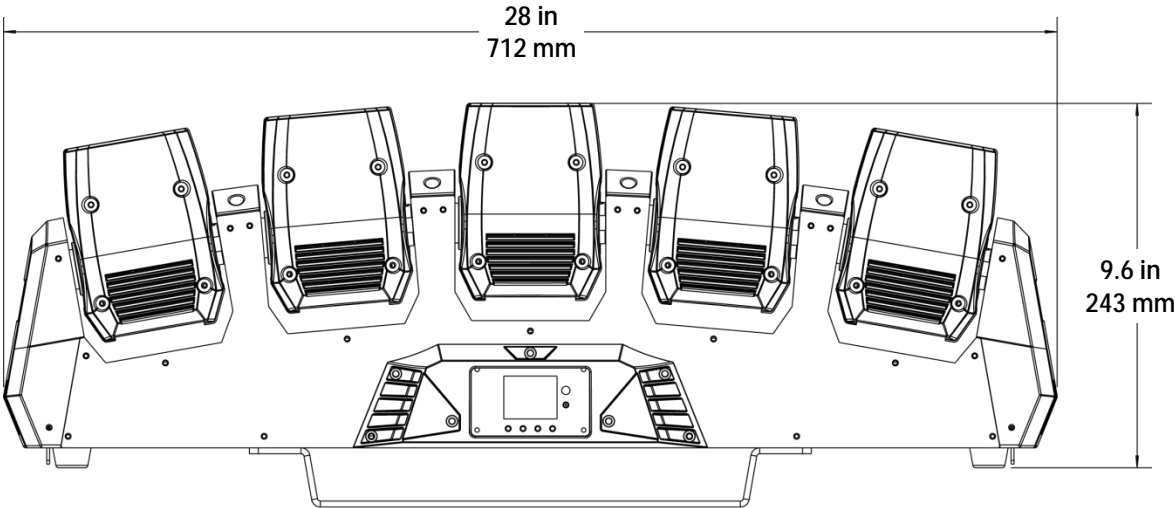
Front Panel View



Back Panel View



Dimensions



3. SETUP

AC Power The Intimidator™ Wave IRC has an auto-ranging power supply and it can work with an input voltage range of 100–240 VAC, 50/60 Hz.

To determine the product's power requirements (circuit breaker, power outlet, and wiring), use the current value listed on the label affixed to the product's back panel, or refer to the product's specifications chart. The listed current rating indicates the product's average current draw under normal conditions.



Always connect the product to a protected circuit (circuit breaker or fuse). Make sure the product has an appropriate electrical ground to avoid the risk of electrocution or fire.



Never connect the product to a rheostat (variable resistor) or dimmer circuit, even if the rheostat or dimmer channel serves only as a 0 to 100% switch.



Disconnect the product from power before replacing the fuse.

Fuse Replacement

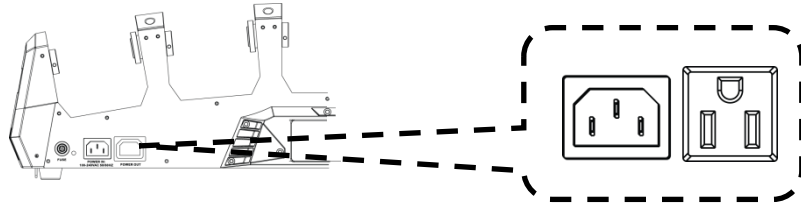
1. Disconnect the product from power.
2. Use a Phillips #2 head screwdriver to unscrew the fuse holder cap from the housing.
3. Remove the blown fuse.
4. Replace with a fuse of the same type and rating.
5. Screw the fuse holder cap back in place and reconnect power.



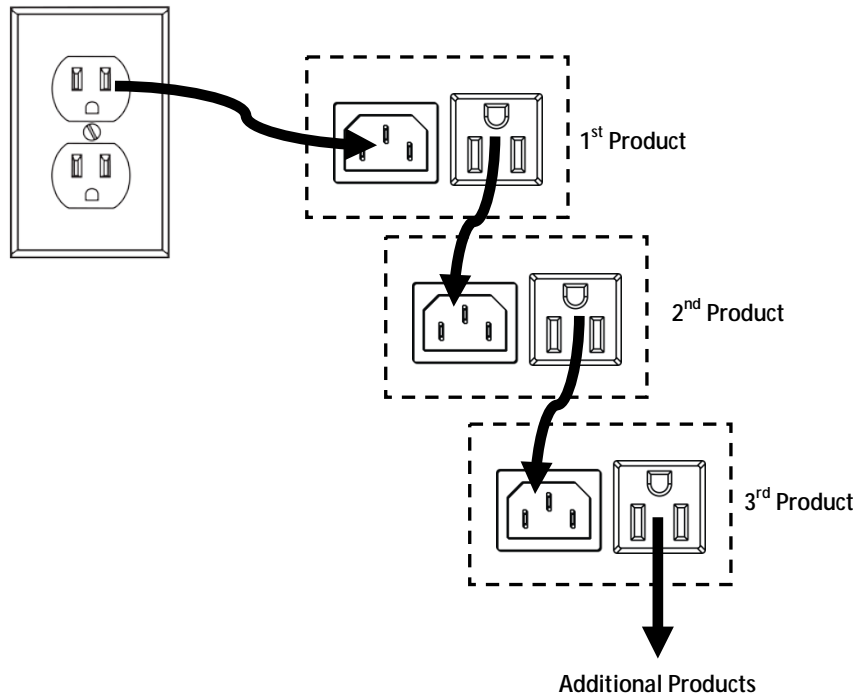
Always replace a blown fuse with another of the same type and rating.

Power Linking

The product provides power linking via the Edison/IEC outlet located in the front/back of the unit.



Power Linking Diagram



You can power link up to 5 Intimidator™ Wave IRC units on 120 VAC or up to 13 Intimidator™ Wave IRC units on 230 VAC.

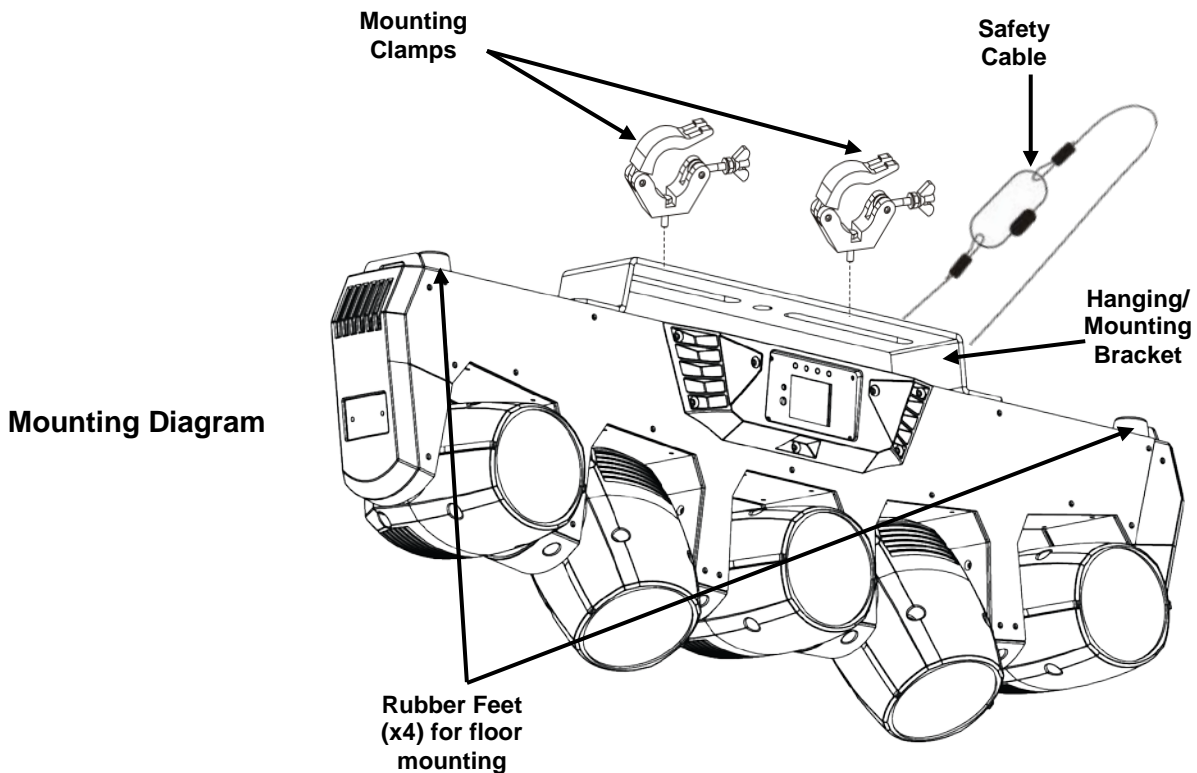


The power linking diagram shown above corresponds to the North American version of the product ONLY! If using the product in other markets, you must consult with the local Chauvet distributor as power linking connectors and requirements may differ in your country or region.

Mounting Before mounting the product, read and follow the safety recommendations indicated in the Safety Notes. For our CHAUVET® line of mounting clamps, go to www.chauvetlighting.com/cables-clamps-main.html/.

Orientation The Intimidator™ Wave IRC may be mounted in any position; however, make sure adequate ventilation is provided around the product.

- Rigging**
- Before deciding on a location, always make sure there is easy access to the product for maintenance and programming.
 - Make sure that the structure or surface onto which you are mounting the product can support the product's weight (see the [Technical Specifications](#)).
 - When mounting the product overhead, always use a safety cable (such as **CH-05** from Chauvet). Mount the product securely to a rigging point, such as an elevated platform or a truss.
 - When rigging the product onto a truss, you should use mounting clamps (such as **CLP-15** from Chauvet) of appropriate weight capacity. The bracket has 13-mm holes, which are appropriate for this purpose.
 - When power linking multiple products, you must always consider the length of the power linking cable and mount the products close enough for the cable to reach.
 - The mounting bracket also allows for surface mounting. When mounting the product on the floor, make sure that the product and cables are away from people and vehicles.



When using only one mounting clamp with this fixture, you must use a clamp with a captive bolt to prevent accidental loosening.

4. OPERATION

Control Panel Operation

To access the control panel functions, use the four buttons located underneath the display.

Button	Function
<MENU>	Selects an operation mode or backs out of the current menu option
<UP>	Scrolls up the list of options or selects a higher value
<DOWN>	Scrolls down the list of options or selects a lower value
<ENTER>	Activates a menu option or a selected value

Menu Map

Mode	Programming Levels	Description	
Address	001–512	Sets DMX starting address	
Run Mode	DMX	14CH 34CH	
	Auto	Auto01–Auto16	
	Sound		
	Slave	S-1–S-4	
	IR		
Setup	Mast Set	M-1–M-4	
	Tilt Reverse	ON OFF	
	Tilt Angle	90 180 270	
	Display	ON OFF	
	Screen Reverse	ON OFF	
	Sensitivity	1–100	
	Reset		
	Factory Reset		
	System Info	Ver XX	
		Running Mode XXXXX	
DMX Address XXX			

Configuration (DMX)

Set the product in DMX mode to control with a DMX controller.

1. Connect the product to a suitable power outlet.
2. Connect a DMX cable from the DMX output of the DMX controller to the DMX input on the product.

Starting Address

When selecting a starting DMX address, always consider the number of DMX channels the selected DMX mode uses. If you choose a starting address that is too high, you could restrict the access to some of the product's channels.

The Intimidator™ Wave IRC uses up to 34 DMX channels in its 34-channel personality, which defines the highest configurable address to **479**.

If unfamiliar with DMX, download the DMX Primer from www.chauvetlighting.com.

To select the starting address, do the following:

1. Press <MENU>
2. Use <UP> or <DOWN> to select the **Address**.
3. Press <ENTER>.
4. Use <UP> or <DOWN> to enter your starting address.
5. Press <ENTER>.

DMX Personalities

The Intimidator™ Wave IRC has two DMX personalities, a 34-channel personality and a 14-channel personality.

To choose which DMX personality to use, follow the steps below:

1. Press **<MENU>**.
2. Use **<UP>** or **<DOWN>** to select **Run Mode**.
3. Press **<ENTER>**.
4. Use **<UP>** or **<DOWN>** to select **DMX**.
5. Press **<ENTER>**.
6. Use **<UP>** or **<DOWN>** to select your DMX personality and press **<ENTER>**.

Master Auto Programs

The Master Auto built-in programs control the actions of two or more Intimidator™ Wave IRC units linked together by DMX data connection. A single Intimidator™ Wave IRC (the master) controls the actions of another Intimidator™ Wave IRC (the slave). Configure the Master Auto programs in conjunction with the Slave modes as follows:

Master Auto 4-Head Program

The Master Auto 4-Head program allows all 5 heads of four linked Intimidator™ Wave IRC units to operate in unison. The master unit will be set to operate in the M-4 program, while the slave unit will be set to operate in either Slave S-1, Slave S-2, Slave S-3, or Slave S-4 mode.

Configure the units as indicated below.

Master unit:

1. Press **<MENU>** and use **<UP>** or **<DOWN>** to select **Setup**.
2. Press **<ENTER>**.
3. Use **<UP>** or **<DOWN>** to select **Mast Set** and press **<ENTER>**.
4. Use **<UP>** or **<DOWN>** to scroll to **M-1**, **M-2**, or **M-4**.
5. Press **<ENTER>**.
6. Use **<UP>** or **<DOWN>** to select **M-4**.
7. Press **<ENTER>**.

Slave unit:

1. Press **<MENU>** and use **<UP>** or **<DOWN>** to select **Run Mode**.
2. Press **<ENTER>**.
3. Use **<UP>** or **<DOWN>** to select **Slave S-1**, **Slave S-2**, **Slave S-3**, or **Slave S-4**.
4. Press **<ENTER>**.
5. Select **Slave S-1** for 100% synchronized actions.
6. Select **Slave S-2**, **S-3** or **S-4** for a delayed show with all 5 heads, up to 20 heads total, in the same direction but with a delay creating a wave effect.
7. Press **<ENTER>**.

Master Auto 2-Head Program

The Master Auto 2-Head program allows a single Intimidator™ Wave IRC to control the actions of another Intimidator™ Wave IRC. The master unit will be set to operate in the M-2 program, while the slave unit will be set to operate in either Slave S-1 or Slave S-2 mode.

Configure the units as indicated below.

Master unit:

1. Press <MENU> and use <UP> or <DOWN> to select **Setup**.
2. Press <ENTER>.
3. Use <UP> or <DOWN> to select **Mast Set** and press <ENTER>.
4. Use <UP> or <DOWN> to scroll to **M-1, M-2, or M-4**.
5. Press <ENTER>.
6. Use <UP> or <DOWN> to select **M-2**.
7. Press <ENTER>.

Slave unit:

1. Press <MENU> and use <UP> or <DOWN> to select **Run Mode**.
2. Press <ENTER>.
3. Use <UP> or <DOWN> to select **Slave S-1, or Slave S-2**.
 - Select **Slave S-1** for 100% synchronized actions with both units, up to 10 heads in tandem.
 - Select **Slave S-2** for a delayed wave, up to 10 heads.
4. Press <ENTER>.

Master Auto 1-Head Program

The Master Auto 1-Head program allows all 4 heads of two linked Intimidator™ Wave IRC units to operate in unison. The master unit will be set to operate in the M-1 program, while the slave unit will be set to operate in Slave S-1, Slave S-2, Slave S-3, or Slave S-4 mode.

Configure the units as indicated below.

Master unit:

1. Press <MENU> and use <UP> or <DOWN> to select **Setup**.
2. Press <ENTER>.
3. Use <UP> or <DOWN> to select **Mast Set** and press <ENTER>.
4. Use <UP> or <DOWN> to scroll to **M-1, M-2, or M-4**.
5. Press <ENTER>.
6. Use <UP> or <DOWN> to select **M-1**.
7. Press <ENTER>.

Slave unit:

1. Press <MENU> and use <UP> or <DOWN> to select **Run Mode**.
2. Press <ENTER>.
3. Use <UP> or <DOWN> to select **Slave S-1, Slave S-2, Slave S-3, or Slave S-4**.
4. Press <ENTER>.
5. Select **Slave S-1** for 100% synchronized control of up to another 20 heads.
6. Press <ENTER>.

DMX ASSIGNMENTS

34CH	Channel	Function	Value	Percent/Setting
	1	Head 1 Tilt	000○255	0-270°
	2	Head 2 Tilt	000○255	0-270°
	3	Head 3 Tilt	000○255	0-270°
	4	Head 4 Tilt	000○255	0-270°
	5	Head 5 Tilt	000○255	0-270°
			000○047	No function
			048○055	Program 1
			056○063	Program 2
			064○071	Program 3
			072○079	Program 4
			080○087	Program 5
			088○095	Program 6
			096○103	Program 7
			104○111	Program 8
			112○119	Program 9
			120○127	Program 10
			128○135	Program 11
			136○143	Program 12
	6	Head Tilt Programs	144○151	Program 13
			152○159	Program 14
			160○167	Program 15
			168○175	Program 16
			176○183	Program 17
			184○191	Program 18
			192○199	Program 19
			200○207	Program 20
			208○215	Program 21
			216○223	Program 22
			224○231	Program 23
			232○239	Program 24
			240○247	Program 1 all heads
			248○255	Sound program
	7	Head Tilt Program Speed	000○255	Fast to slow
	8	Head 1 Red Dimmer	000○255	0-100%
	9	Head 1 Green Dimmer	000○255	0-100%

DMX ASSIGNMENTS (CONT.)

34CH	Channel	Function	Value	Percent/Setting
	10	Head 1 Blue Dimmer	000 0 255	0-100%
	11	Head 1 White Dimmer	000 0 255	0-100%
	12	Head 2 Red Dimmer	000 0 255	0-100%
	13	Head 2 Green Dimmer	000 0 055	0-100%
	14	Head 2 Blue Dimmer	000 0 255	0-100%
	15	Head 2 White Dimmer	000 0 255	0-100%
	16	Head 3 Red Dimmer	000 0 255	0-100%
	17	Head 3 Green Dimmer	000 0 255	0-100%
	18	Head 3 Blue Dimmer	000 0 255	0-100%
	19	Head 3 White Dimmer	000 0 255	0-100%
	20	Head 4 Red Dimmer	000 0 255	0-100%
	21	Head 4 Green Dimmer	000 0 255	0-100%
	22	Head 4 Blue Dimmer	000 0 255	0-100%
	23	Head 4 White Dimmer	000 0 255	0-100%
	24	Head 5 Red Dimmer	000 0 255	0-100%
	25	Head 5 Green Dimmer	000 0 255	0-100%
	26	Head 5 Blue Dimmer	000 0 255	0-100%
	27	Head 5 White Dimmer	000 0 255	0-100%

DMX ASSIGNMENTS (CONT.)

34CH	Channel	Function	Value	Percent/Setting
			000 ∘ 007	No function
			008 ∘ 015	Color 1
			016 ∘ 023	Color 2
			024 ∘ 031	Color 3
			032 ∘ 039	Color 4
			040 ∘ 047	Color 5
			048 ∘ 055	Color 6
			056 ∘ 063	Color 7
			064 ∘ 071	Color 8
			072 ∘ 079	Color 9
			080 ∘ 087	Color 10
			088 ∘ 095	Color 11
			096 ∘ 103	Color 12
			104 ∘ 111	Color 13
			112 ∘ 119	Color 14
			120 ∘ 127	Color 15
			128 ∘ 179	Reserved
			180 ∘ 201	Fade rainbow clockwise (speed fast to slow)
			202 ∘ 207	Full on of current color
			208 ∘ 229	Fade rainbow counter-clockwise (speed fast to slow)
			230 ∘ 234	All colors 100%
			235 ∘ 249	Snap change (speed fast to slow)
			250 ∘ 255	Sound color

DMX ASSIGNMENTS (CONT.)

34CH	Channel	Function	Value	Percent/Setting
			000 007	●●●●●
			008 015	●●●●○
			016 023	●●●○○
			024 031	●●○○○
			032 039	●○○○○
			040 047	○○○○○
			048 055	○○○○●
			056 063	○○○●●
			064 071	○○●●●
			072 079	○○●●●
			080 087	●●●●●
			088 095	○○○○●
			096 103	○○○●○
			104 111	○○●○○
			112 119	○○○○○
			120 127	●○○○○
			128 135	○○○●●
			136 143	○○●●○
			144 151	○○●○○
			152 159	●●○○○
			160 167	●○○○●
			168 175	○○●●●
			176 183	○○●●○
			184 191	○○●●●
			192 199	●●○○○
			200 207	●○○●●
			208 215	○○●●●
			216 223	●●●●○
			224 231	●●●○●
			232 239	●●○●●
			240 247	●○●●●
			248 255	●●●●●
	29	Heads On/Off		

DMX ASSIGNMENTS (CONT.)

34CH	Channel	Function	Value	Percent/Setting
			000 ◊ 015	No function
			016 ◊ 020	Program 1
			021 ◊ 025	Program 2
			026 ◊ 030	Program 3
			031 ◊ 035	Program 4
			036 ◊ 040	Program 5
			041 ◊ 045	Program 6
			046 ◊ 050	Program 7
			051 ◊ 055	Program 8
			056 ◊ 060	Program 9
			061 ◊ 065	Program 10
			066 ◊ 070	Program 11
			071 ◊ 075	Program 12
			076 ◊ 080	Program 13
			081 ◊ 085	Program 14
			086 ◊ 090	Program 15
			091 ◊ 095	Program 16
			096 ◊ 100	Program 17
	30	Auto Programs	101 ◊ 105	Program 18
			106 ◊ 110	Program 19
			111 ◊ 115	Program 20
			116 ◊ 120	Program 21
			121 ◊ 125	Program 22
			126 ◊ 130	Program 23
			131 ◊ 135	Program 24 (built-in for all)
			136 ◊ 140	Program 25
			141 ◊ 145	Program 26
			146 ◊ 150	Program 27
			151 ◊ 155	Program 28
			156 ◊ 160	Program 29
			161 ◊ 165	Program 30
			166 ◊ 170	Program 31
			171 ◊ 175	Program 32
			176 ◊ 180	Program 33
			181 ◊ 185	Program 34
			186 ◊ 190	Program 35
			191 ◊ 195	Program 36

DMX ASSIGNMENTS (CONT.)

34CH	Channel	Function	Value	Percent/Setting
30		Auto Programs (Cont.)	196 ∘ 200	Program 37
			201 ∘ 205	Program 38
			206 ∘ 210	Program 39
			211 ∘ 215	Program 40
			216 ∘ 220	Program 41
			221 ∘ 225	Program 42
			226 ∘ 230	Program 43
			231 ∘ 235	Program 44
			236 ∘ 240	Program 45
			241 ∘ 245	Program 46
			246 ∘ 250	Program 47
			251 ∘ 255	Program 48 (built-in for all)
			31	
32		Dimmer All Heads	000 ∘ 255	0–100%
33		Shutter Programs	000 ∘ 019	Off
			020 ∘ 024	On
			025 ∘ 064	Shutter 1 even on/even off (fast to slow)
			065 ∘ 069	On
			070 ∘ 084	Shutter 2 fast on/slow off (fast to slow)
			085 ∘ 089	On
			090 ∘ 104	Shutter 3 slow on/fast off (fast to slow)
			105 ∘ 109	On
			110 ∘ 124	Shutter 4 random shutter (fast to slow)
			125 ∘ 129	On
			130 ∘ 144	Shutter 5 random shutter fast on/slow off (fast to slow)
			145 ∘ 149	On
			150 ∘ 164	Shutter 6 random shutter slow on/fast off (fast to slow)
			165 ∘ 169	On
			170 ∘ 184	Shutter 7 pulse shutter (fast to slow)
			185 ∘ 189	On
			190 ∘ 204	Shutter 8 random pulse shutter (fast to slow)
			205 ∘ 209	On
			210 ∘ 224	Shutter 9 on and off gradually (fast to slow)
			225 ∘ 229	On
230 ∘ 244	Shutter 10 pulse shutter (fast to slow)			
245 ∘ 255	On			

DMX ASSIGNMENTS (CONT.)

34CH	Channel	Function	Value	Percent/Setting
34			000 009	No function
			010 014	Move-in-black
			015 019	Cancel move-in-black
			020 024	Independent macros – cancels macro product combinations below
			025 029	Macros used when linking 2 products together: This is the value for first product
			030 034	Macros used when linking 2 products together: This is the value for second product
			035 039	Macros used when linking 4 products together: This is the value for first product
			040 044	Macros used when linking 4 products together: This is the value for second product
			045 049	Macros used when linking 4 products together: This is the value for third product
			050 054	Macros used when linking 4 products together: This is the value for fourth product
			055 059	No function
			060 064	Reset tilt only
			065 069	No function
			070 074	Reset all
			075 089	No function
			090 094	Reverse tilt
			095 099	No function
			100 104	Cancel reverse tilt
			105 114	No function
			115 119	Controls all heads with head 1 channels
			120 124	Cancels control of all heads with head 1 channels
			125 255	No function

**Settings
(Set these values
before setting
other DMX
channels. There is
a 10 sec delay
before the settings
take effect)**

DMX ASSIGNMENTS (CONT.)

14CH		Channel	Function	Value	Percent/Setting
1			Head 1 Tilt	000 0 255	0–270°
2			Head 2 Tilt	000 0 255	0–270°
3			Head 3 Tilt	000 0 255	0–270°
4			Head 4 Tilt	000 0 255	0–270°
5			Head 5 Tilt	000 0 255	0–270°
				000 0 047	No function
				048 0 055	Program 1
				056 0 063	Program 2
				064 0 071	Program 3
				072 0 079	Program 4
				080 0 087	Program 5
				088 0 095	Program 6
				096 0 103	Program 7
				104 0 111	Program 8
				112 0 119	Program 9
				120 0 127	Program 10
				128 0 135	Program 11
				136 0 143	Program 12
6			Head Tilt Programs	144 0 151	Program 13
				152 0 159	Program 14
				160 0 167	Program 15
				168 0 175	Program 16
				176 0 183	Program 17
				184 0 191	Program 18
				192 0 199	Program 19
				200 0 207	Program 20
				208 0 215	Program 21
				216 0 223	Program 22
				224 0 231	Program 23
				232 0 239	Program 24
				240 0 247	Program 1 all heads
				248 0 255	Sound program
7			Head Tilt Program Speed	000 0 255	Fast to slow

DMX ASSIGNMENTS (CONT.)

14CH	Channel	Function	Value	Percent/Setting
			000 ∘ 007	No function
			008 ∘ 015	Color 1
			016 ∘ 023	Color 2
			024 ∘ 031	Color 3
			032 ∘ 039	Color 4
			040 ∘ 047	Color 5
			048 ∘ 055	Color 6
			056 ∘ 063	Color 7
			064 ∘ 071	Color 8
			072 ∘ 079	Color 9
			080 ∘ 087	Color 10
	8	Colors	088 ∘ 095	Color 11
			096 ∘ 103	Color 12
			104 ∘ 111	Color 13
			112 ∘ 119	Color 14
			120 ∘ 127	Color 15
			128 ∘ 179	Reserved
			180 ∘ 201	Fade rainbow clockwise (speed fast to slow)
			202 ∘ 207	Full on of current color
			208 ∘ 229	Fade rainbow counter-clockwise (speed fast to slow)
			230 ∘ 234	All colors 100%
			235 ∘ 249	Snap change (speed fast to slow)
			250 ∘ 255	Sound color

DMX ASSIGNMENTS (CONT.)

14CH	Channel	Function	Value	Percent/Setting
			000 007	●●●●●
			008 015	●●●●○
			016 023	●●●○○
			024 031	●●○○○
			032 039	●○○○○
			040 047	○○○○○
			048 055	○○○○●
			056 063	○○○●●
			064 071	○○●●●
			072 079	○●●●●
			080 087	●●●●●
			088 095	○○○○●
			096 103	○○○●○
			104 111	○○●○○
			112 119	○●○○○
			120 127	●○○○○
			128 135	○○○●●
			136 143	○○●●○
			144 151	○●●○○
			152 159	●●○○○
			160 167	●○○○●
			168 175	○○●●●
			176 183	○●●●○
			184 191	○○●●●
			192 199	●●○○○
			200 207	●○○○●
			208 215	○●●●●
			216 223	●●●●○
			224 231	●●●○●
			232 239	●●○○●
			240 247	●○●●●
			248 255	●●●●●
	9	Heads On/Off		

DMX ASSIGNMENTS (CONT.)

14CH	Channel	Function	Value	Percent/Setting
			000 015	No function
			016 020	Program 1
			021 025	Program 2
			026 030	Program 3
			031 035	Program 4
			036 040	Program 5
			041 045	Program 6
			046 050	Program 7
			051 055	Program 8
			056 060	Program 9
			061 065	Program 10
			066 070	Program 11
			071 075	Program 12
			076 080	Program 13
			081 085	Program 14
			086 090	Program 15
	10	Auto Programs	091 095	Program 16
			096 100	Program 17
			101 105	Program 18
			106 110	Program 19
			111 115	Program 20
			116 120	Program 21
			121 125	Program 22
			126 130	Program 23
			131 135	Program 24 (built-in for all)
			136 140	Program 25
			141 145	Program 26
			146 150	Program 27
			151 155	Program 28
			156 160	Program 29
			161 165	Program 30
			166 170	Program 31
			171 175	Program 32

DMX ASSIGNMENTS (CONT.)

14CH	Channel	Function	Value	Percent/Setting
10		Auto Programs (Cont.)	176-180	Program 33
			181-185	Program 34
			186-190	Program 35
			191-195	Program 36
			196-200	Program 37
			201-205	Program 38
			206-210	Program 39
			211-215	Program 40
			216-220	Program 41
			221-225	Program 42
			226-230	Program 43
			231-235	Program 44
			236-240	Program 45
			241-245	Program 46
			246-250	Program 47
			251-255	Program 48 (built-in for all)
			11	
12		Dimmer All Heads	000-255	0-100%
13		Shutter Programs	000-019	Off
			020-024	On
			025-064	Shutter 1 even on/even off (fast to slow)
			065-069	On
			070-084	Shutter 2 fast on/slow off (fast to slow)
			085-089	On
			090-104	Shutter 3 slow on/fast off (fast to slow)
			105-109	On
			110-124	Shutter 4 random shutter (fast to slow)
			125-129	On
			130-144	Shutter 5 random shutter fast on/slow off (fast to slow)
			145-149	On
			150-164	Shutter 6 random shutter slow on/fast off (fast to slow)
			165-169	On
			170-184	Shutter 7 pulse shutter (fast to slow)
			185-189	On
			190-204	Shutter 8 random pulse shutter (fast to slow)
			205-209	On
			210-224	Shutter 9 on and off gradually (fast to slow)
			225-229	On
230-244	Shutter 10 pulse shutter (fast to slow)			
245-255	On			

DMX ASSIGNMENTS (CONT.)

14CH	Channel	Function	Value	Percent/Setting
14		Settings (Set these values before setting other DMX channels. There is a 10 sec delay before the settings take effect)	000 009	No function
			010 014	Move-in-black
			015 019	Cancel move-in-black
			020 024	Independent macros – cancels macro product combinations below
			025 029	Macros used when linking 2 products together: This is the value for first product
			030 034	Macros used when linking 2 products together: This is the value for second product
			035 039	Macros used when linking 4 products together: This is the value for first product
			040 044	Macros used when linking 4 products together: This is the value for second product
			045 049	Macros used when linking 4 products together: This is the value for third product
			050 054	Macros used when linking 4 products together: This is the value for fourth product
			055 059	No function
			060 064	Reset tilt only
			065 069	No function
			070 074	Reset all
			075 089	No function
			090 094	Reverse tilt
			095 099	No function
			100 104	Cancel reverse tilt
			105 114	No function
			115 119	Controls all heads with head 1 channels
			120 124	Cancels control of all heads with head 1 channels
			125 255	No function

Configuration (Standalone)

Set the product in one of the standalone modes to control it without a DMX controller.
Connect the product to a suitable power outlet.



Never connect a product that is operating in any standalone mode (Static, Automatic, or Sound-Active) to a DMX string connected to a DMX controller. Products in standalone mode may transmit DMX signals that could interfere with the DMX signals from the controller.

Sound-Active Mode

To enable the Sound-Active mode, do the following:

1. Press **<MENU>** and use the **<UP>** or **<DOWN>** buttons to select **Run Mode**.
2. Press **<ENTER>**.
3. Use **<UP>** or **<DOWN>** to select **Sound**.
4. Press **<ENTER>** and **Sound (M-1, M-2 or M-4)** shows on the display.



The product will only respond to low frequencies of music (bass and drums).

Automatic Mode

To enable the Automatic mode, do the following:

1. Press **<MENU>** and use the **<UP>** or **<DOWN>** buttons to select **Run Mode**.
2. Press **<ENTER>**.
3. Use **<UP>** or **<DOWN>** to select **Auto** and press **<ENTER>**.
4. Use **<UP>** or **<DOWN>** to scroll through the auto programs (1–16) and press **<ENTER>** to make your selection.

Auto Program	Sweep Angle	Color	Movement
1	180°	All	Wave, alternate & synchronized
2	90° Front	Chase	Wave
3	180°	Chase	Wave
4	45° Front	Chase	Wave
5	90° Up	Chase	Wave
6	45° Back	Chase	Wave
7	90° Back	Chase	Wave
8	90° Front	1 & 2 color scroll	Synchronized
9	180°	1 & 2 color scroll	Synchronized
10	45° Front	1 & 2 color scroll	Synchronized
11	90° Up	1 & 2 color scroll	Synchronized
12	90° Back	4 color scroll	Synchronized
13	90° Back	All	Synchronized
14	90° Front	1 color scroll	Alternate
15	180°	1 color scroll	Alternate
16	45° Front	1 & 2 color scroll	Alternate

Manual Reverse Tilt Operation

To select whether you want the Intimidator™ Wave IRC to operate with normal tilt or inverted (reverse) tilt, do the following.

1. Press **<MENU>** and use the **<UP>** or **<DOWN>** buttons to select **Setup**.
2. Press **<ENTER>**.
3. Use **<UP>** or **<DOWN>** to select **Tilt Reverse** and press **<ENTER>**.
4. Use **<UP>** or **<DOWN>** to select **ON** or **OFF** and press **<ENTER>**.

Manual Tilt Angle Range

To select the range for the tilt angles on the Intimidator™ Wave IRC, do the following:

1. Press **<MENU>** and use the **<UP>** or **<DOWN>** buttons to select **Setup**.
2. Press **<ENTER>**.
3. Use **<UP>** or **<DOWN>** to select **Tilt Angle** and press **<ENTER>**.
4. Use **<UP>** or **<DOWN>** to select **90** (90°), **180** (180°), or **270** (270°).
5. Press **<ENTER>**.

Display Blackout and Reverse

You can flip the LED display for easy readability in any mounting situation or blackout the display entirely.

To select your display angle:

1. Press **<MENU>** and use the **<UP>** or **<DOWN>** buttons to select **Setup**.
2. Press **<ENTER>**.
3. Use **<UP>** or **<DOWN>** to select **Screen Reverse** and press **<ENTER>**.
4. Use **<UP>** or **<DOWN>** to select **ON** or **OFF** and press **<ENTER>**.

To select blackout display:

1. Press **<MENU>** and use the **<UP>** or **<DOWN>** buttons to select **Setup**.
2. Press **<ENTER>**.
3. Use **<UP>** or **<DOWN>** to select **Display** and press **<ENTER>**.
4. Use **<UP>** or **<DOWN>** to select **ON** or **OFF** and press **<ENTER>**.

Master/Slave Mode

The Master/Slave mode allows a single Intimidator™ Wave IRC unit (the master) to control the actions of one or more Intimidator™ Wave IRC units (the slaves) without a DMX controller. The master unit operates in either Automatic or Sound-Active mode, while the slave units operate in Slave mode. Once set and connected, the slave units will operate in unison with the master unit.

Configure the units as described below.

Slave units:

1. Press **<MENU>** and use **<UP>** or **<DOWN>** to select **Run Mode**.
2. Press **<ENTER>**.
3. Press **<UP>** or **<DOWN>** to select **Slave S-1**.
4. Press **<ENTER>**.
5. Set the DMX address to **001**.
6. Connect the DMX input of the first slave unit to the DMX output of the master unit.
7. Connect the DMX input of the subsequent slave units to the DMX output of the previous slave unit.
8. Finish setting and connecting all the slave units.

Master unit:

1. Set the master unit to operate in either Automatic or Sound-Active mode.
2. Make the master unit the first unit in the DMX daisy chain.



- **Configure all the slave units before connecting the master unit to the DMX daisy chain.**
- **Never connect a DMX controller to a DMX string configured for Master/Slave operation because the controller may interfere with the signals from the master unit.**
- **Do not connect more than 4 slave units to the master unit.**

Reset Software

To reset the software on the Intimidator™ Wave IRC, do the following:

1. Press **<MENU>** and use the **<UP>** or **<DOWN>** buttons to select **Setup**.
2. Press **<ENTER>**.
3. Use **<UP>** or **<DOWN>** to select **Reset**.
4. Press **<ENTER>**. The product will reset all settings in the software.

Factory Defaults

To load the factory defaults on the Intimidator™ Wave IRC, do the following:

1. Press **<MENU>** and use the **<UP>** or **<DOWN>** buttons to select **Setup**.
2. Press **<ENTER>**.
3. Use **<UP>** or **<DOWN>** to select **Factory Reset**.
4. Press **<ENTER>**. The product resets to factory default settings.

5. TECHNICAL INFORMATION

Product Maintenance

Dust build-up reduces light output performance and can cause overheating. This can lead to reduction of the light source's life and mechanical wear. To maintain optimum performance and minimize wear, clean the product at least twice a month. However, usage and environmental conditions contribute to increased cleaning frequency.

To clean the product, follow the instructions below:

1. Unplug the product from power.
2. Wait until the product is at room temperature.
3. Use a vacuum (or dry compressed air) and a soft brush to remove dust collected on the external surface/vents.
4. Clean all external optics and glass/transparent surfaces with a mild soap solution, ammonia-free glass cleaner, or isopropyl alcohol.
5. Apply the solution directly to a soft, lint-free cotton cloth or a lens cleaning tissue.
6. Softly wipe any dirt or grime to the outside edges of the external optics or glass/transparent surface.
7. Gently polish the external optics and glass/transparent surfaces until they are free of haze and lint.



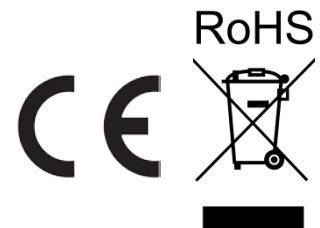
Always dry the external optics and glass/transparent surfaces carefully after cleaning them.



Do not spin the cooling fans using compressed air because you could damage them.

6. TECHNICAL SPECIFICATIONS

Dimensions and Weight	Length	Width	Height	Weight
	28 in (712 mm)	4.4 in (113 mm)	9.6 in (243 mm)	17.2 lb (7.8 kg)
Note: Dimensions in inches rounded to the nearest decimal digit.				
Power	Power Supply Type	Range	Voltage Selection	
	Switching (internal)	100 to 240 VAC, 50/60 Hz	Auto-ranging	
	Parameter	120 V, 60 Hz	230 V, 50 Hz	
	Consumption	173 W	174 W	
	Operating current	2.5 A	1.3 A	
Light Source	Power linking current (units)	13.6 A (5 units)	13.6 A (13 units)	
	Fuse	F 5 A, 250 V	F 5 A, 250 V	
	Power I/O	US/Canada	UK/Worldwide	
	Power input connector	IEC	IEC	
	Power output connector	Edison	IEC	
Photo Optic	Power Cord plug	Edison (US)	Local plug	
	Type	Power	Lifespan	
	LED	12 W	50,000 hours	
Thermal	Color	Quantity	Current	
	RGBW	5	3.9 A	
	Parameter	Maximum External Temp.	Cooling System	
DMX	Illuminance @ 2 m	11,500 lx	Fan-cooled	
	Beam angle	5°		
Ordering	Strobe rate	0 to 23 Hz		
	I/O Connectors	Connection Type	Channel Range	
Ordering	3-pin XLR	Sockets	14 or 34	
	Product Name	Item Code	UPC Number	
	Intimidator™ Wave IRC	08010857	781462212056	



RETURNS

To return a product or request support:

- In the U.S., contact Chauvet World Headquarters (see [Contact Us](#)).
- In the UK or Ireland, contact Chauvet Europe Ltd. (see [Contact Us](#)).
- In Mexico, contact Chauvet Mexico (see [Contact Us](#)).

In any other country, DO NOT contact Chauvet. Contact your distributor. See www.chauvetlighting.com for distributors outside the U.S., United Kingdom, Ireland, or Mexico.



If you live outside the U.S., United Kingdom, Ireland, or Mexico, contact your distributor of record and follow their instructions on how to return Chauvet products to them. Visit our website for contact details.

Call the corresponding Chauvet Technical Support office and request a Return Merchandise Authorization (RMA) number before shipping the product. Be prepared to provide the model number, serial number, and a brief description of the cause for the return.

You must send the merchandise prepaid, in its original box, and with its original packing and accessories. Chauvet will not issue call tags.

Clearly label the package with the RMA number. Chauvet will refuse any product returned without an RMA number.



Write the RMA number on a properly affixed label. DO NOT write the RMA number directly on the box.

Before sending the product, clearly write the following information on a piece of paper and place it inside the box:

1. Your name
2. Your address
3. Your phone number
4. RMA number
5. A brief description of the problem

Be sure to pack the product properly. Any shipping damage resulting from inadequate packaging will be your responsibility. FedEx packing or double-boxing are recommended.



Chauvet reserves the right to use its own discretion to repair or replace returned product(s).

CONTACT Us

WORLD HEADQUARTERS - Chauvet

General Information

Address: 5200 NW 108th Avenue
Sunrise, FL 33351
Voice: (954) 577-4455
Fax: (954) 929-5560
Toll free: (800) 762-1084

Technical Support

Voice: (954) 577-4455 (Press 4)
Fax: (954) 756-8015
Email: tech@chauvetlighting.com

World Wide Web www.chauvetlighting.com

UNITED KINGDOM AND IRELAND - Chauvet Europe Ltd.

General Information

Address: Unit 1C
Brookhill Road Industrial Estate
Pinxton, Nottingham, UK
NG16 6NT
Voice: +44 (0)1773 511115
Fax: +44 (0)1773 511110

Technical Support

Email: uktech@chauvetlighting.com

World Wide Web www.chauvetlighting.co.uk

MEXICO - Chauvet Mexico

General Information

Address: Av. Santa Ana 30
Parque Industrial Lerma
Lerma, Mexico C.P. 52000
Voice: +52 (728) 285-5000

Technical Support

Email: servicio@chauvet.com.mx

World Wide Web www.chauvet.com.mx

Outside the U.S., United Kingdom, Ireland, or Mexico, contact your dealer. Follow their instructions to request support or to return a product. Visit our website for contact details.