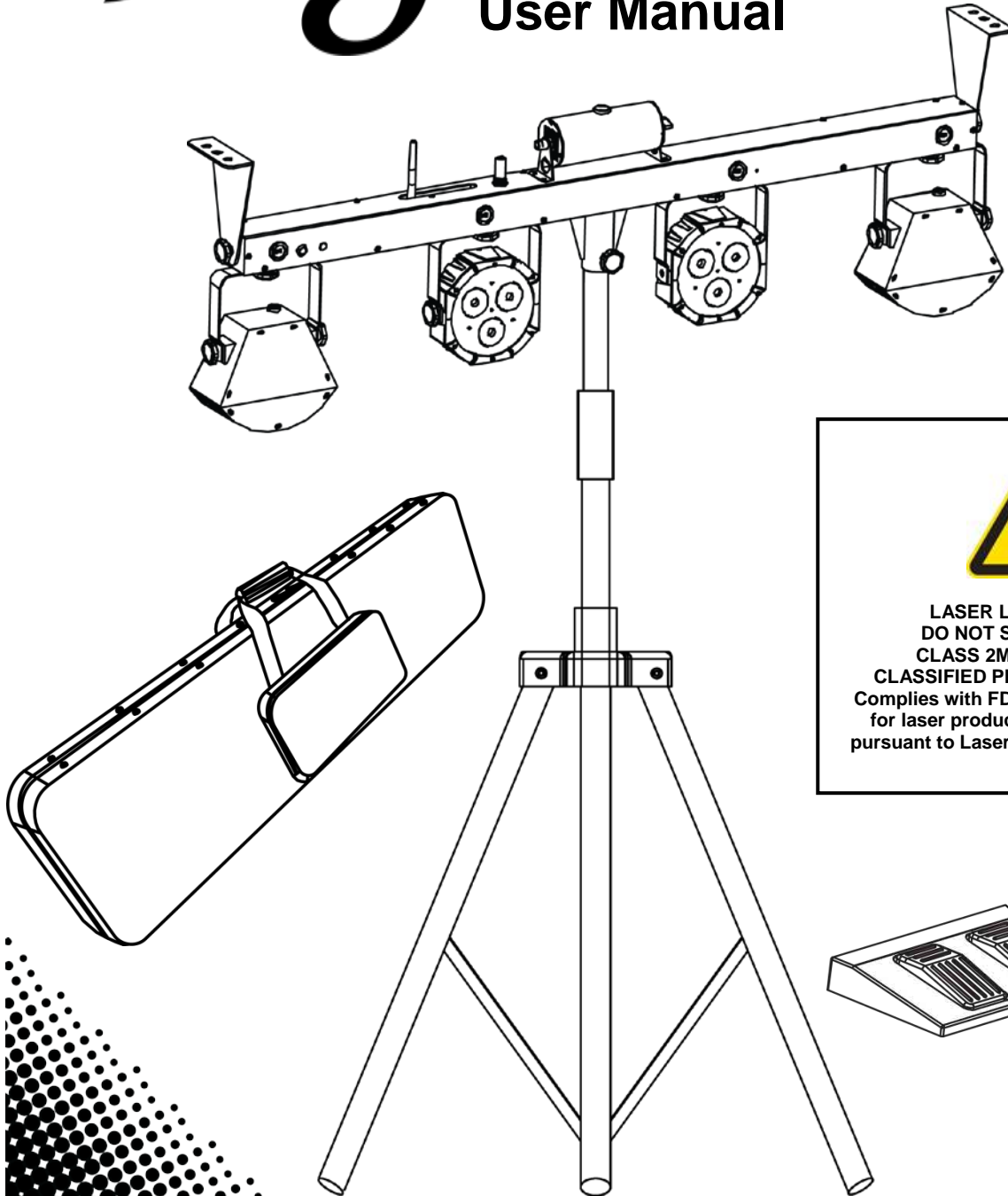


GigBAR™ IRC

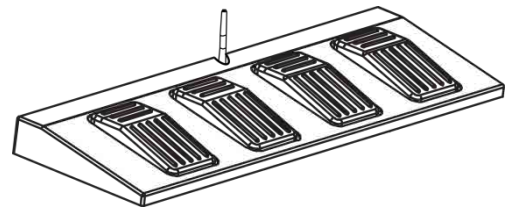
User Manual



European Version



LASER LIGHT RADIATION
DO NOT STARE INTO BEAM
CLASS 2M LASER PRODUCT
CLASSIFIED PER EN/IEC 60825-1:2007
Complies with FDA performance standards
for laser products except for deviations
pursuant to Laser Notice No. 50, dated June
24, 2007.



CHAUVET®

TABLE OF CONTENTS

1. Before You Begin.....	6
What Is Included.....	6
Description.....	6
Unpacking Instructions	6
Claims	6
Manual Conventions.....	6
Symbols.....	6
Disclaimer	6
Safety Notes	7
Non-Interlocked Housing Warning	8
Laser Safety Notes	8
Laser Safety Label Reproduction	10
Laser Exposure Warning.....	11
Laser Emission Data	11
Laser Compliance Statement.....	11
2. Introduction.....	12
Overview.....	12
Overview.....	13
Dimensions.....	14
3. Setup	15
AC Power	15
Fuse Replacement	15
Interlock Connector	15
Power Linking.....	15
Mounting.....	16
Orientation.....	16
Rigging	16
Mounting Diagram	16
Proper Usage	17
Interlock and Key.....	17
4. Operation.....	18
Control Panel Operation	18
Menu Map.....	18
Configuration (Standalone)	20
Sound Mixed Effect Sound-Active Mode	20
Auto Mixed Effect Automatic Mode	20
Show Settings	20
Master/Slave	20
Mode	20
Master/Slave Mode (Cont.)	21
Configuration (DMX).....	21
DMX Personality and Starting Address.....	21
Custom Color Adjustment	21
System Settings.....	22
Default Pod Arrangement.....	22
Examples of Pod Order Rearrangement.....	22
DMX Channel Assignments and Values	23
19CH	23
8 CH	25

3 CH	26
IRC-6 (Infrared Remote Control 6) Operation	27
Footswitch Operation	28
5. Technical Information.....	29
Product Maintenance	29
6. Technical Specifications	30
Returns.....	32
Contact Us.....	33
1. Antes de Empezar.....	34
Que va Incluido.....	34
Descripción.....	34
Instrucciones de Desembalaje	34
Reclamaciones.....	34
Convenciones del Manual	34
Símbolos.....	34
Exención de Responsabilidad	34
Notas de Seguridad.....	35
Advertencia sobre Carcasa no Enclavada	37
Notas de Seguridad sobre Láser.....	37
Reproducción de la Etiqueta de Seguridad del Láser.....	39
Advertencia sobre Exposición al Láser	40
Datos de Emisión Láser	40
Declaración de Conformidad Láser.....	40
2. Introducción.....	41
Vista General.....	41
Vista General.....	42
Dimensiones.....	43
3. Configuración	44
Corriente Alterna	44
Sustitución del Fusible	44
Conector de Enclavamiento	44
Alimentación en Cadena	44
Montaje.....	45
Orientación	45
Colocación.....	45
Diagrama de Montaje	45
Uso Adecuado	46
Enclavamiento e Interruptor de Llave.....	46
4. Funcionamiento	47
Funcionamiento del Panel de Control	47
Mapa de Menú.....	47
Configuración (Independiente).....	50
Modo Efecto Mezclado de Sonido Activo por Sonido	50
Modo Efecto Mezclado Automático.....	50
Configuración del Show	50
Modo Maestro/Esclavo.....	51
Configuración (DMX).....	52
Personalidad DMX y Dirección de Inicio	52
Ajuste de Color Personalizado	52
Configuración de Sistema	53
Disposición de las Unidades por Defecto	53

Ejemplos de Recolocación del Orden de las Unidades	53
Asignaciones de Canal y Valores DMX	54
19CH	54
8 CH	56
3 CH	57
Funcionamiento del IRC-6 (Control Remoto por Infrarrojos 6)	58
Funcionamiento del Conmutador de Pie	59
5. Información Técnica	60
Mantenimiento del Producto	60
6. Especificaciones Técnicas	61
Devoluciones	63
Contacto	64
1. Avant de Commencer	65
Contenu	65
Description	65
Instructions de Déballage	65
Réclamations	65
Conventions Manuelles	65
Symboles	65
Clause de Non Responsabilité	66
Consignes de Sécurité	66
Avertissement de Boîtier non-Verrouillé	69
Consignes de Sécurité des Lasers	69
Reproduction de l'Etiquette de Sécurité Laser	71
Avertissement d'Exposition au Laser	72
Données d'émission laser	72
Déclaration de Conformité Laser	72
2. Introduction	73
Vue d'Ensemble	73
Vue d'Ensemble	74
Dimensions	75
3. Configuration	76
Alimentation CA	76
Remplacement des fusibles	76
Un Connecteur de Verrouillage	76
Chaînage Électrique	76
Installation	77
Orientation	77
Montage	77
Schéma de Montage	77
Utilisation Appropriée	78
Verrouillage et Interrupteur à Clé	78
4. Fonctionnement	79
Utilisation du panneau de commande	79
Plan du Menu	79
Configuration (Autonome)	82
Mode effet Mélangé Activé par le Son	82
Mode Effet Mélangé Automatique	83
Paramètres du Spectacle	83
Mode Maître/Esclave	83

Configuration (DMX).....	84
Personnalité DMX et Adresse DMX de Départ.....	84
Réglage de Couleur Personnalisé.....	84
Paramètres système.....	85
Disposition par Défaut des Modules	85
Des Exemples de Modification de l'Ordre des Modules	85
Affectation de Canaux DMX et Valeurs	86
19CH	86
8 CH	88
3 CH	89
Fonctionnement avec l'IRC-6 (Télécommande par infrarouge 6).....	90
Fonctionnement avec la Pédale.....	91
5. Informations Techniques	92
Entretien de l'Appareil	92
6. Spécifications Techniques.....	93
Renvois	95
Nous Contacter	96

1. BEFORE YOU BEGIN

What Is Included

- GigBAR™ IRC
- Power Cord
- 2 L-Brackets
- Wireless Footswitch with Battery
- VIP Gear Bag
- Interlock Key
- Remote Interlock Connector
- Tripod Stand
- Tripod Carry Bag
- Warranty Card
- User Manual

Description

The GigBAR™ IRC is the ultimate all-in-one system that includes two RGB LED rotating derby effects, two high-power tri-color LED PARs, a green laser and a white strobe multi-output effect. Easily allows for separate color and program control of each of the individually adjustable heads. IRC-6 remote control sold separately.

Unpacking Instructions

Carefully unpack the product immediately and check the box to make sure all the parts are in the package and are in good condition.

Claims




If the box or the contents (the product and included accessories) appear damaged from shipping or show signs of mishandling, notify the carrier immediately, not Chauvet. Failure to do so in a timely manner may invalidate your claim with the carrier. In addition, keep the container and all the packing material for inspection.

For other issues, such as missing components or parts, damage not related to shipping, or concealed damage, file a claim with Chauvet within 7 days of delivery.

Manual Conventions

Convention	Meaning
1–512	A range of values
50/60	A set of values of which only one can be chosen
Settings	A menu option not to be modified
Menu > Settings	A sequence of menu options to be followed
<ENTER>	A key to be pressed on the product's control panel
ON	A value to be entered or selected

Symbols

Symbol	Meaning
	Critical installation, configuration, or operation information. Ignoring this information can cause the product to not work, damage it, or cause harm to the operator.
	Important installation or configuration information. The product may not function correctly if this information is not used.
	Useful information.

Disclaimer

The information and specifications contained in this document are subject to change without notice. Chauvet assumes no responsibility or liability for any errors or omissions that may appear in this manual, and reserves the right to revise or recreate this manual at any time. Download the latest version from <http://www.chauvetlighting.com/product-manuals-literature/>.

© Copyright 2014 Chauvet. All rights reserved. Printed in P.R.C.

Electronically published by Chauvet in the United States of America.

Author	Date	Editor	Date
A. Leon	09/22/14	M. Trouard	09/22/14

Safety Notes

The Safety Notes include important laser system safety information. Read and understand all instructions before powering on the laser for the first time. Knowing these safety instructions is crucial to avoiding laser eye injury and breaking the law. Keep this User Manual in a safe place for future reference.



STOP AND READ ALL LASER SAFETY DATA



- Lasers can be hazardous and have unique safety considerations. Permanent eye injury and blindness is possible if lasers are used incorrectly. Pay close attention to each safety REMARK and WARNING statement in this User Manual. Read all instructions carefully BEFORE operating this device.
- Always connect the product to a grounded circuit to avoid the risk of electrocution.
- Always disconnect the product from the power source before cleaning.
- Avoid direct eye exposure to the light source while the product is on.
- Make sure the power cord is not crimped or damaged.
- Never disconnect the product from power by pulling or tugging on the cord.
- If mounting the product overhead, always secure to a fastening device using a safety cable.
- Make sure there are no flammable materials close to the product when operating.
- Do not touch the product's housing when operating because it may be very hot.



- This product is not intended for permanent installation.
- Always make sure that the voltage of the outlet to which you are connecting the product is within the range stated on the decal or rear panel of the product.
- The product is for indoor use only! (IP20) To prevent risk of fire or shock, do not expose the product to rain or moisture.
- Always install the product in a location with adequate ventilation, at least 20 in (50 cm) from adjacent surfaces.
- Be sure that no ventilation slots on the product's housing are blocked.
- Never connect the product to a dimmer.
- Always use the mounting bracket to carry the product.
- Do not switch the product on/off in short intervals. This will reduce the laser diode life.
- Do not shake this product. Avoid brute force when mounting or operating this product.
- ALWAYS use a safety cable when mounting the product overhead.
- The maximum ambient temperature (T_a) is 104 °F (40 °C). Do not operate the product at higher temperatures.
- In the event of a serious operating problem, stop using the product immediately.
- Never try to repair the product. Repairs carried out by unskilled people can lead to damage or malfunction. Contact the nearest authorized technical assistance center.



CAUTION! Use of controls, adjustments, or procedures other than THOSE specified IN THIS USER MANUAL may result in hazardous radiation exposure.



- Chauvet requires the placement of sandbags on the base of the stand for added stability.**
- DO NOT go past the printed stopping point on the mast.**



- DO NOT over-tighten the knob at the tripod mounting insertion point, as it may damage the mast of the stand.**
- DO NOT use this stand in any way that it was not intended.**



- Avoid direct eye contact with laser light. Never intentionally expose your eyes or others to direct laser light.
- This laser product can potentially cause instant eye injury or blindness if laser light directly strikes the eyes.
- It is illegal and dangerous to shine this laser into audience areas, where the audience or other personnel could get direct laser beams or bright reflections into their eyes.
- It is illegal to shine any laser at aircraft.
- Use of controls, adjustments, or procedures other than those specified in this User Manual may result in hazardous radiation exposure.
- **DO NOT attempt any repairs. Repairs and servicing must be carried out by a certified technician. Unauthorized modifications are forbidden for safety reasons!**



- **Keep this User Manual for future consultation. If transferring ownership of the product to another user, be sure this document is kept with the laser.**

Non-Interlocked Housing Warning

- This unit contains high power laser devices internally.
- This unit will not turn off automatically or stay off if you open its housing (non-interlocked housing).
- Do not operate the laser if the housing is open due to potential exposure to unsafe levels of laser radiation.
- The laser power levels, accessible if the unit is open when in operation, can cause instant blindness, skin burns, and fires.

Laser Safety Notes



STOP AND READ ALL THE LASER SAFETY NOTES BELOW



Laser light is different from any other light. Laser light can cause eye injury if the product is not set up and used properly. Laser light is a thousand times more concentrated than any other kind of light. This concentration can cause instant eye injuries by burning the retina (the light-sensitive portion at the back of the eye). The heat from a laser light cannot be felt, but it can still injure or blind product operators and the audience. Even very small amounts of laser light at long distances are potentially hazardous.

DO NOT stare into the beam, at any time. Class 2M Laser product emit laser radiation.

DO NOT point the device towards anyone's eyes.

-
- Do not operate the laser without first reading and understanding all the safety and technical data in this manual.
 - ALWAYS set up and install all laser effects so that any laser light is at least 3 meters (9.8 feet) above the floor on which people are standing. See the [Proper Usage](#) section of this manual.
 - After setup, and prior to public use, test the lasers to ensure they are functioning properly. Do not use the product if any defect is detected.
 - DO NOT use laser if it is emitting only one or two beams, rather than dozens/hundreds, as this indicates damage to the diffraction grating optic, and allows emission of laser levels higher than Class 2M.
 - DO NOT point lasers at people or animals.
 - DO NOT look into the laser aperture or laser beams.
 - DO NOT point lasers into areas where people could be exposed to them..
 - DO NOT point lasers at highly reflective surfaces such as windows, mirrors, and shiny metal. Even laser reflections can be hazardous.
 - Never point a laser at aircraft; check your local laws for restrictions before using this laser.
 - Never point un-terminated laser beams into the sky.
 - Do not expose the output optic (aperture) to harsh cleaning chemicals.
 - Do not use the laser if the housing is damaged, open, or if the optics appear damaged in any way.
 - Never open the laser housing. The high laser power levels inside of the protective housing can start fires or burn skin, and will cause instant eye injury.
 - Never leave this product running unattended.
 - The legal requirements for using laser entertainment products vary from country to country. The user is responsible for the legal requirements in the location/country of use.

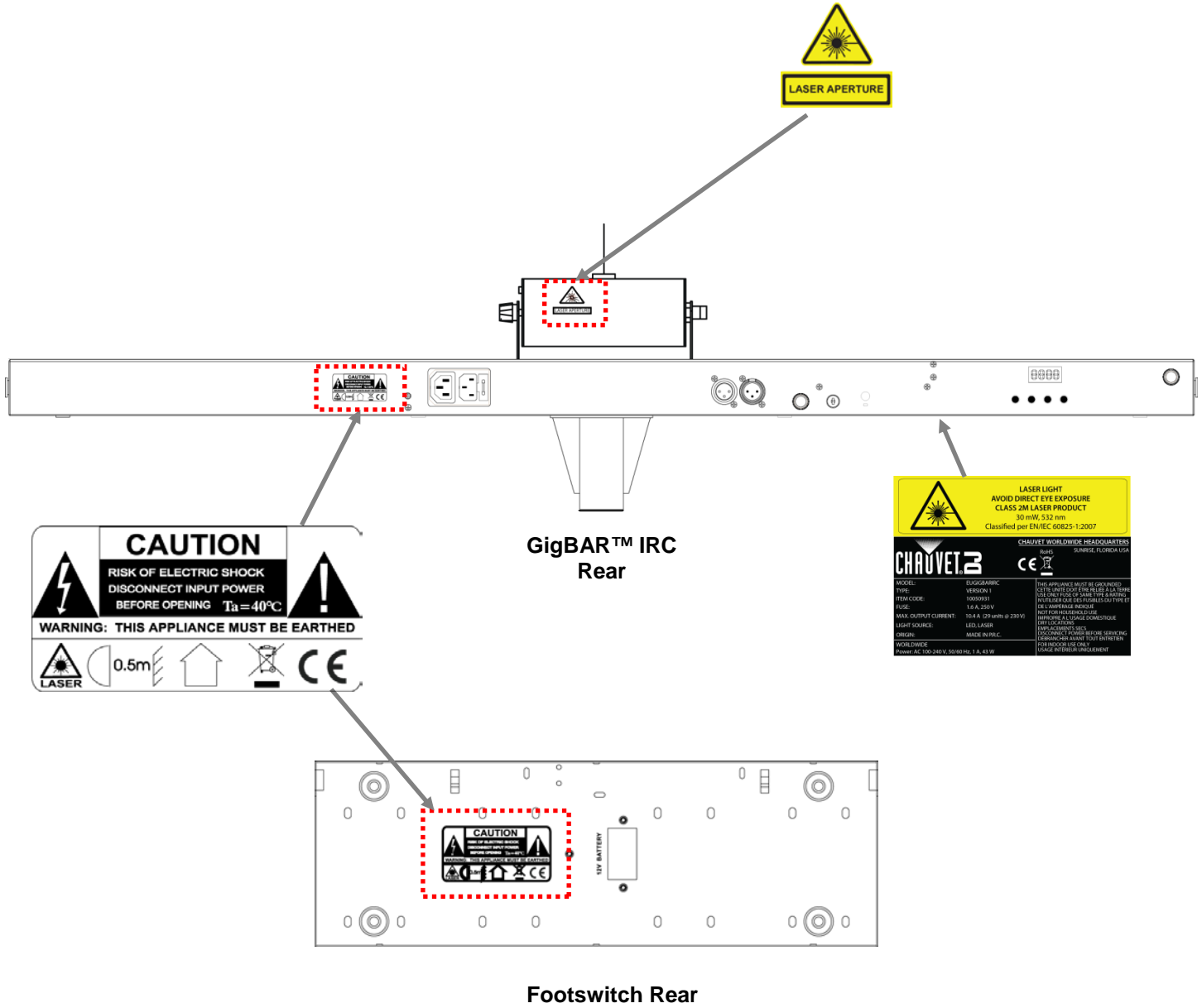


CAUTION! Do not operate this device in ways not specified in this User Manual. Failure to follow the instructions will void the warranty, may damage the product, or injure the user or the audience.



CAUTION! This product cannot be discarded with household waste. Contact your local waste management service for electronic disposal regulations in your area.

Laser Safety Label Reproduction



**Laser Exposure
Warning**



LASER LIGHT AVOID DIRECT EYE EXPOSURE

Further guidelines and safety programs for safe use of lasers can be found in the ANSI Z136.1 Standard "For Safe Use of Lasers", available from the Laser Institute of America: www.laserinstitute.org. Many local governments, corporations, agencies, military, and others, require all lasers to be used under the guidelines of ANSI Z136.1. Laser Display guidance can be obtained via the International Laser Display Association: www.laserist.org.

**Laser Emission
Data**

As measured under IEC measurement conditions for classification

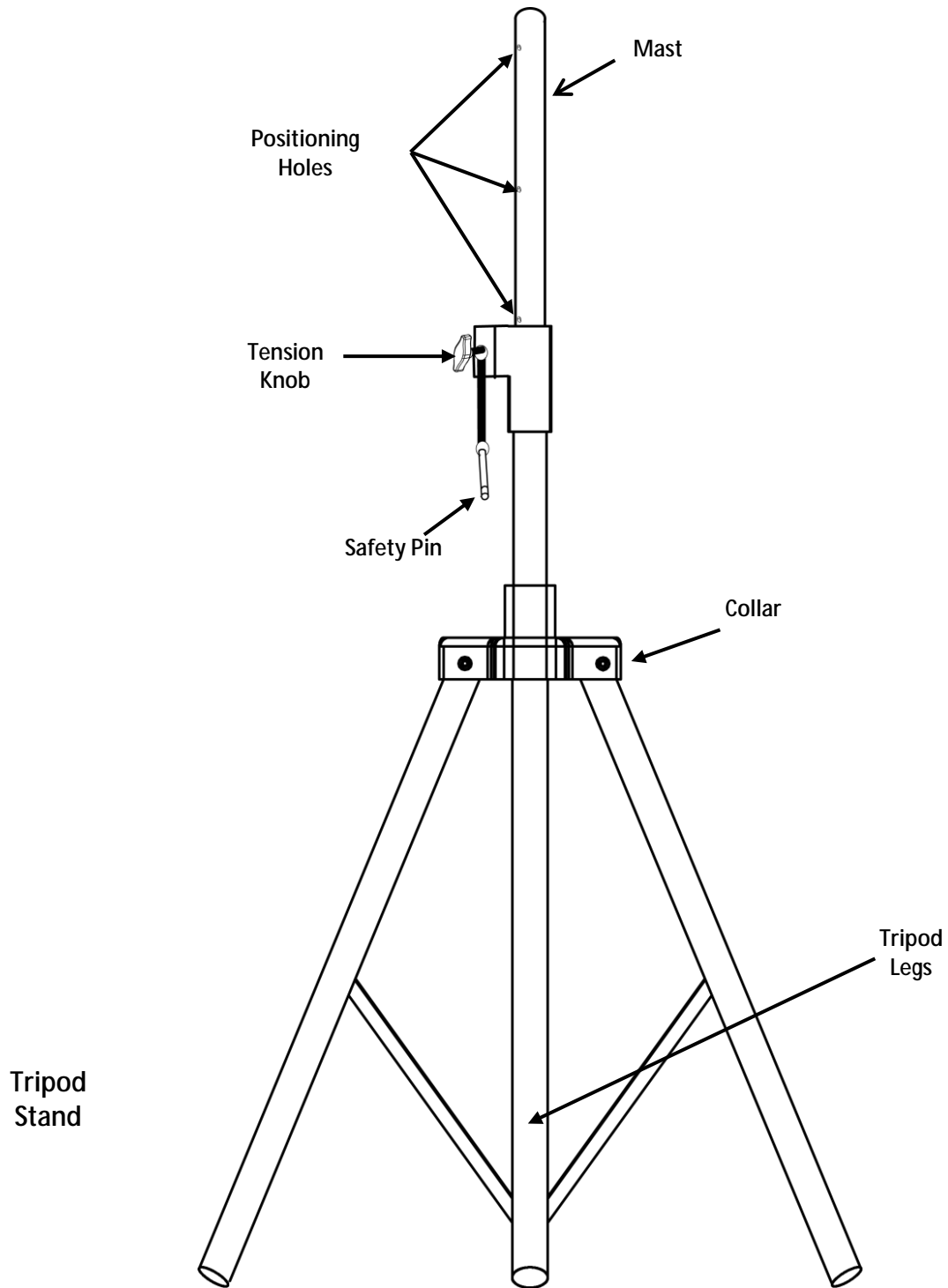
Laser Classification	Class 2M
Green Laser Medium	DPSS Nd:YVO4, 532 nm/30 mW
Beam Diameter	<5 mm at aperture
Pulse Data	All pulses < 4 Hz (>0.25 sec)
Divergence (each beam)	<2 mrad
Divergence (total light)	<160 degrees
Laser Power of Each Beam from Aperture	<5 mW

**Laser
Compliance
Statement**

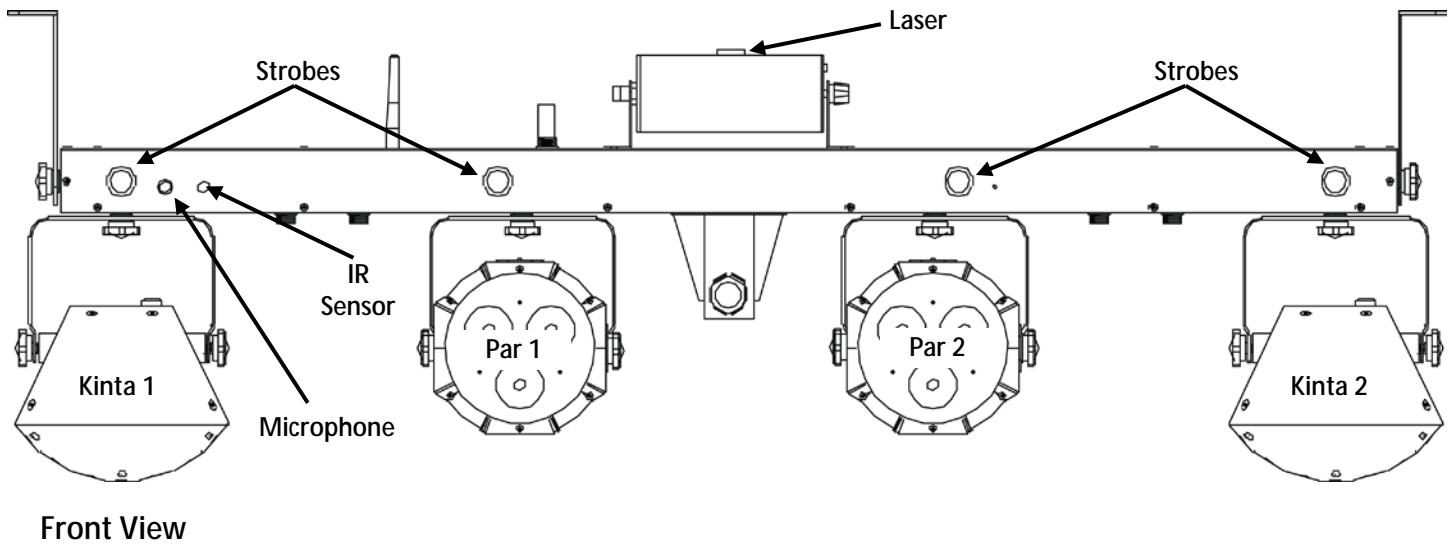
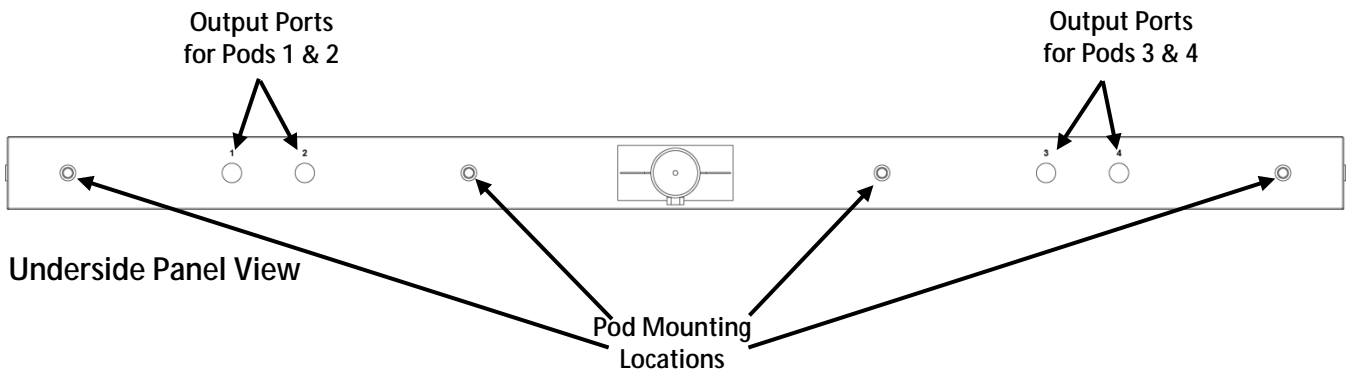
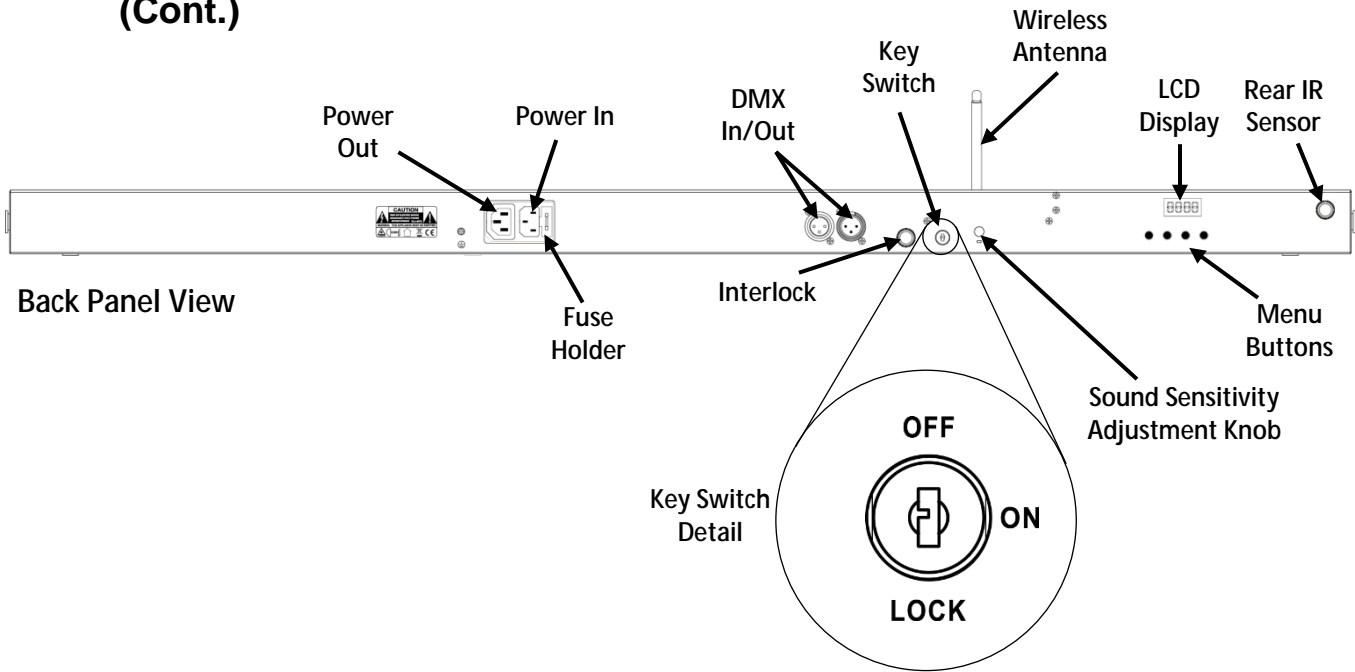
This laser product complies with EN/IEC 60825-1 Ed 2, 2007-03, and U.S. FDA/CDRH FLPPS via the terms of Laser Notice No. 50 dated June 24, 2007. This laser device is classified 2M. (Class 2M is the international equivalent of U.S. Class IIIa.) No maintenance is required to keep this product in compliance with laser performance standards.

2. INTRODUCTION

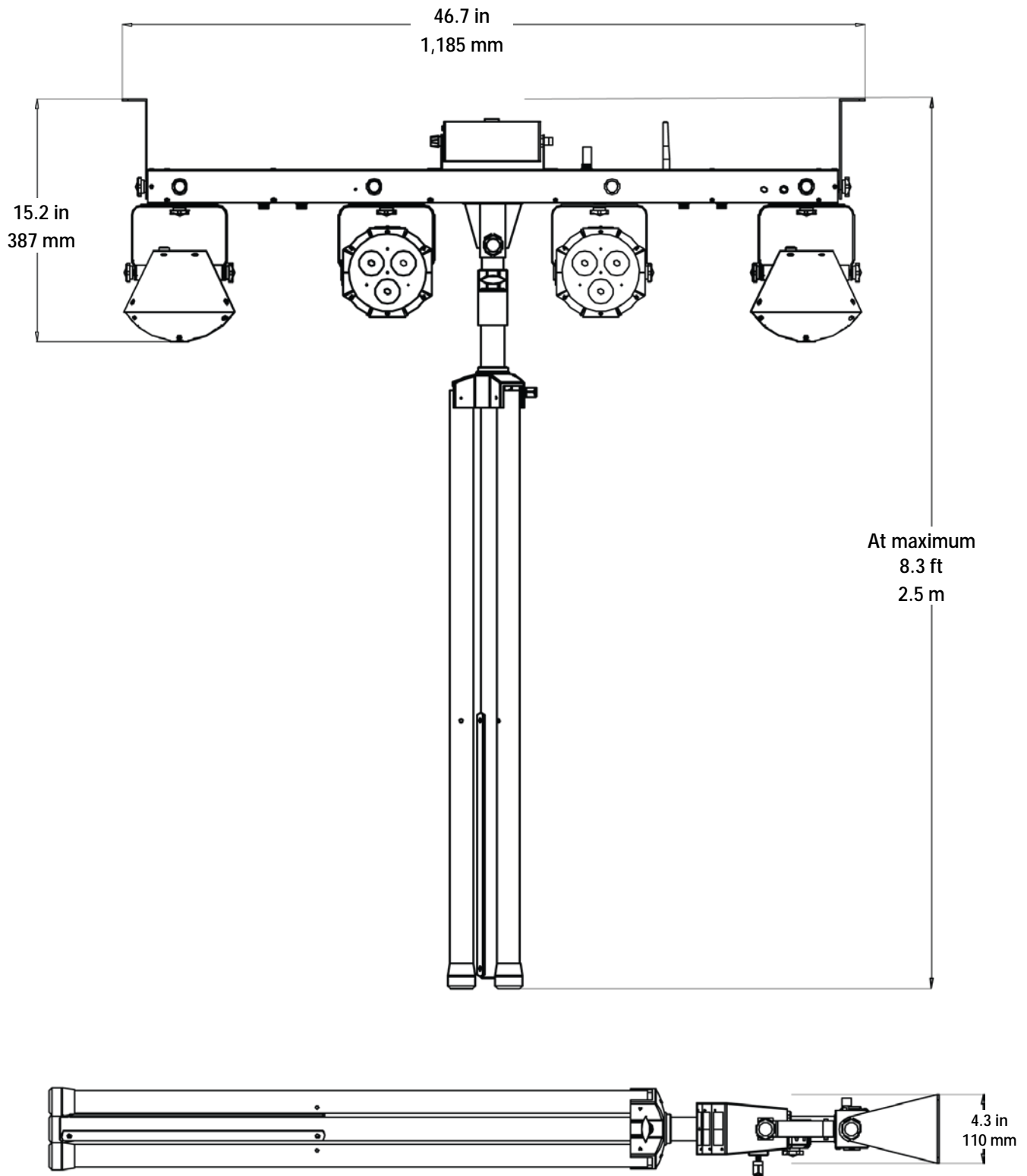
Overview



Overview (Cont.)



Dimensions



3. SETUP

AC Power The GigBAR™ IRC has an internal auto-ranging power supply and it can work with an input voltage range of 100 to 240 VAC, 50/60 Hz.

To determine the product's power requirements (circuit breaker, power outlet, and wiring), use the current value listed on the label affixed to the product's back panel, or refer to [Technical Specifications](#) in this manual. The listed current rating indicates the product's average current draw under normal conditions.



Always connect the product to a protected circuit (circuit breaker or fuse). Make sure the product has an appropriate electrical ground to avoid the risk of electrocution or fire.



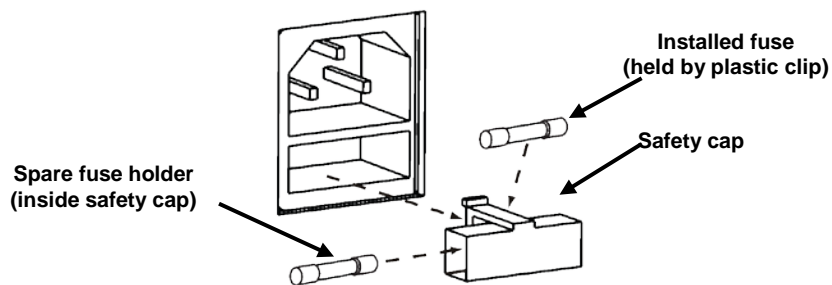
Never connect the product to a rheostat (variable resistor) or dimmer circuit, even if the rheostat or dimmer channel serves only as a 0 to 100% switch.

Fuse Replacement

1. Disconnect the product from power.
2. Wedge the tip of a flat-head screwdriver into the slot of the fuse holder.
3. Pry the fuse holder out of the housing.
4. Remove the blown fuse from the holder.
5. Replace with a fuse of the exact same type and rating.
6. Insert the fuse holder back in place and reconnect power.



Disconnect the product from power before replacing the fuse.



The product does not ship with a spare fuse; however, the safety cap has room for a spare.



Always replace a blown fuse with a fuse of the same type and rating.

Interlock Connector

This product has a jack for a remote interlock switch that would shut off the laser output in case of emergency. You may use the provided remote interlock connector to build your own interlock switch.

Power Linking

Power linking is when products are daisy chained together through the power in and power out plugs, allowing many products to be powered from one wall outlet.

Up to 29 GigBAR™ IRC products can be power linked at 230 V.

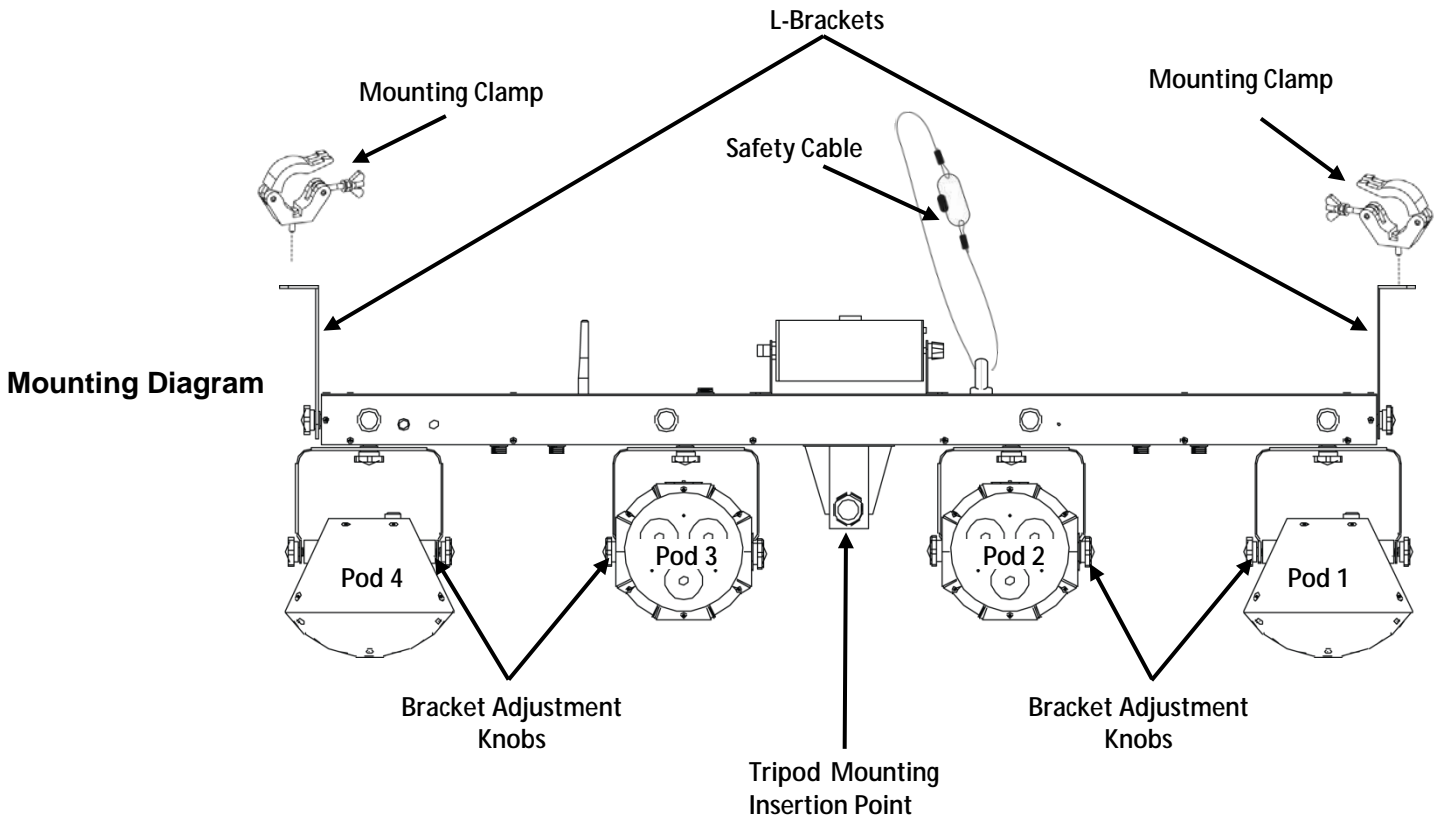


Do not power link more than 29 GigBAR™ IRC on 230 V.

Mounting Before mounting the product, read and follow the safety recommendations indicated in the [Safety Notes](#).

Orientation The GigBAR™ IRC must be mounted in a position that includes planning for safe laser usage. In addition, make sure adequate ventilation is provided around the product.

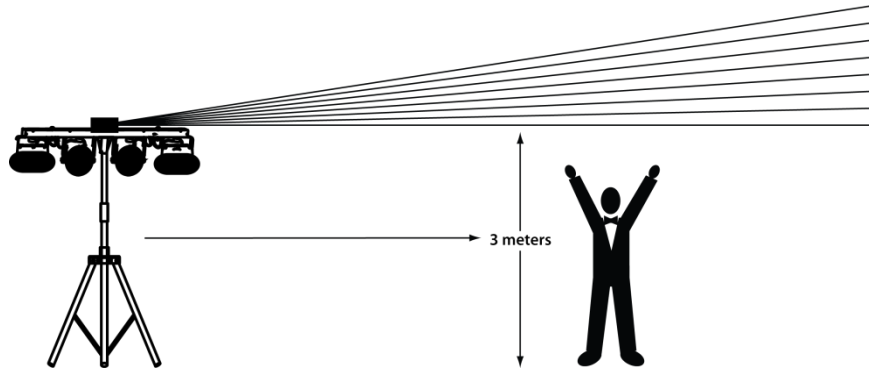
- Rigging**
- Before deciding on a location for the product, always make sure there is easy access to the product for maintenance and programming.
 - Make sure that the structure or surface onto which you are mounting the product can support the product's weight (see [Technical Specifications](#)).
 - When mounting the product overhead, always use a safety cable (such as **CH-05** from Chauvet). Mount the product securely to a rigging point, such as an elevated platform or a truss.
 - The bracket adjustment knobs allow for directional adjustment when aiming the product to the desired angle. Only loosen or tighten the bracket knobs manually. Using tools could damage the knobs.
 - When mounting to the tripod, be sure the stand is tightened properly and leveled.



Proper Usage

This product is for overhead mounting only. For safety purposes, Chauvet recommends mounting lighting effect products on steady elevated platforms or sturdy overhead supports using suitable hanging clamps. In all cases, use safety cables. Obtain appropriate mounting hardware from your lighting vendor.

International laser safety regulations require that laser products must be operated in the fashion illustrated below, with a minimum of 3 meters (9.8 ft) of vertical separation between the floor and the lowest laser light. Additionally, 3 meters of horizontal separation is required between laser light and audience or other public spaces.



CAUTION! Use of controls, adjustments, or procedures other than **THOSE** specified **IN THIS USER MANUAL** may result in hazardous radiation exposure.



- Chauvet requires the placement of sandbags on the base of the stand for added stability.
- **IMPORTANT: DO NOT** go past the printed stopping point on the mast.



- **DO NOT** over-tighten the parbar, as it may damage the stand.
- **DO NOT** use this stand in any way that it was not intended.

Interlock and Key

This product has an interlock and key to prevent the laser from operating unless the interlock and the key are both inserted and the key is turned to the ON position.

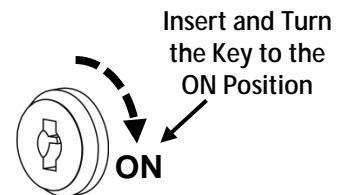
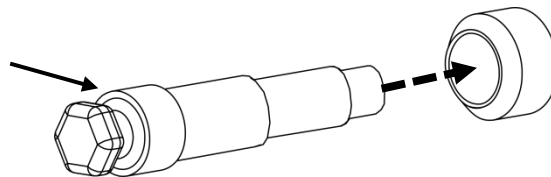
For the laser to function, you must BOTH:

- **insert the interlock**
- **insert the key and turn it to the ON position**

Otherwise, if both are not performed, the laser will not turn on.



Insert the Interlock

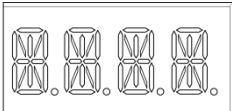


Always turn the key to the **OFF** position and remove it when leaving this product unattended to prevent accidents or injuries to third parties.

4. OPERATION

This product is not designed for continual use. Make sure there are regular breaks during operation to maximize the life of your laser. Always disconnect the GigBAR™ IRC from power when not in use.

Control Panel Operation To access the control panel functions, use the four buttons located underneath the display. When the product is on, the LED monitor on the rear panel will show the current operating mode (Standalone or DMX). The product will retain the last saved settings when powered off.



Button	Function
<MENU>	Selects an operation mode or backs out of the current menu option
<UP>	Scrolls up the list of options or selects a higher value
<DOWN>	Scrolls down the list of options or selects a lower value
<ENTER>	Activates a menu option or a selected value

Menu Map

Mode	Programming Levels		Description
AUTO Mixed Effect	AM**	AM01–AM02	Selects the auto mixed effect show
		F 01–F 99	Selects auto mixed effect speed
SOUND Mixed Effect	SM**	SM01–SM02	Selects the sound mixed effect show
		F 01–F 99	Selects the sound mixed effect speed
SHOW Settings	SHOW		After pressing <ENTER>, selects different show settings, in which you can choose mixed style effects show or Par-only effects.
Auto Par Effect	AP**	AP01– AP07	Selects the Par show
		F 01–F 99	Selects the Par show speed
Auto Kinta Effect	AK01	AK01	Selects the kinta auto show
		F 01–F 99	Selects the kinta auto speed
Auto Laser Effect	AL01	AL01	Selects the laser auto show
		F 01–F 99	Selects the laser auto show speed
Auto Strobe Effect	AS**	AS01–AS09	Selects the auto strobe shows
		F 01–F 99	Selects the auto strobe show speed
Auto Par+Kinta	APK1	APK1	Selects the Par and kinta auto show
		F 01–F 99	Selects the Par and kinta auto show speed
Auto Par + Laser	APL1	APL1	Selects the Par and laser auto show
		F 01–F 99	Selects the Par and laser auto show speed
Auto Par + Strobe	APS1	APS1	Selects the Par and strobe auto show
		F 01–F 99	Selects the Par and strobe show speed
Auto Kinta + Laser	AKL1	AKL1	Selects the kinta and laser auto show
		F 01–F 99	Selects the kinta and laser auto show speed
Auto Kinta + Strobe	AKS1	AKS1	Selects the kinta and strobe auto show
		F 01–F 99	Selects the kinta and strobe auto who speed

Par + Kinta + Laser	APKL	APKL		Selects the Par, kinta, and laser show
		F 01–F 99		Selects the Par, kinta, and laser show speed
Par + Kinta + Strobe	APKS	APKS		Selects the Par, kinta, and strobe show
		F 01–F 99		Selects the Par, kinta, and strobe speed
Par + Laser + Strobe	APLS	APLS		Selects the Par, laser, and strobe show
		F 01–F 99		Selects the Par, laser, and strobe show speed
Kinta + Laser + Strobe	AKLS	AKLS		Selects the kinta, laser, and strobe show
		F 01–F 99		Selects the kinta, laser, and strobe speed
Sound Par Effect	SP**	SP01–SP07		Set Pars to Sound mode
Sound Kinta Effect		SK01		Sets kintas to Sound mode
Sound Laser Effect		SL01		Sets laser to Sound mode
Sound Strobe Effect	SS**	SS01–SS10		Sets strobes to Sound mode and selects effect speed
Sound Par + Kinta		SPK1		Sets Pars and kintas to Sound mode
Sound Par + Laser		SPL1		Sets Pars and laser Sound mode
Sound Par + Strobe		SPS1		Sets Pars and strobes to Sound mode
Sound Kinta + Laser		SKL1		Sets kintas and laser to Sound mode
Sound Kinta + Strobe		SKS1		Sets kintas and strobes to Sound Mode
Par + Kinta + Laser		SPKL		Sets Pars, kintas and laser to Sound mode
Par + Kinta + Strobe		SPKS		Sets Pars, kintas and strobes to Sound mode
Par + Laser + Strobe		SPLS		Sets Pars, laser and strobes to Sound mode
Kinta + Laser + Strobe		SKLS		Sets kintas, laser and strobes to Sound mode
General COLOR Setting	CoLo	R**	R000–R255	Sets both Par and kinta red values
		G**	G000–G255	Sets both Par and kinta green values
		B**	B000–B255	Sets both Par and kinta blue values
DMX Mode Setting	D**	3 CH		Selects the DMX personality
		8 CH		
		19CH		
DMX Address		d001–d512		Sets DMX starting address; DMX range restricted by number of channels in the selected DMX mode
Master/Slave Setting		Slav		Sets to Slave mode
System Options	Sys	dSET	1234	Changes arrangement of pods
		rSEt		Resets to factory defaults
		WiFi	on off	Turns on/off Wi-Fi™ antenna for wireless footswitch

Configuration (Standalone)

Set the product in one of the Standalone modes to control without a DMX controller.
Connect the product to a suitable power outlet.



Never connect a product that is operating in any Standalone mode (Automatic or Sound-Active) to a DMX string connected to a DMX controller. Products in Standalone mode may transmit DMX signals that could interfere with the DMX signals from the controller.

Sound Mixed Effect Sound-Active Mode

To enable the sound mixed effect (Sound-Active All) mode, do the following:

1. Press **<MENU>** repeatedly until **SM**** blinks on the display.
2. Press **<ENTER>**.
3. Use **<UP>** or **<DOWN>** to select the desired Sound-Active mode (**SM01** or **SM02**).
4. Press **<ENTER>** to put the fixture into the selected Sound-Active mode.
Turn the music on and adjust the sound sensitivity knob until the product starts responding to the beat of the music.



- **The product will only respond to low frequencies of music (bass and drums).**
- **The laser will blackout when in Sound-Active mode after 3 seconds of silence or noise below the sensitivity setting.**

Auto Mixed Effect Automatic Mode

To enable the auto mixed effect (Automatic All) mode, follow the instructions below:

1. Press **<MENU>** repeatedly until **AM**** blinks on the display.
2. Press **<ENTER>**.
3. Use **<UP>** or **<DOWN>** to select the desired Automatic mode (**AM01** or **AM02**).
4. Press **<ENTER>**.
5. Use **<UP>** or **<DOWN>** to adjust the mode speed, **F 01** (fast) to **F 99** (slow).
6. Press **<ENTER>**.

Show Settings

To choose mixed style effect shows or Par-only effects, follow the instructions below and refer to the [Menu Map](#) for programming steps:

1. Press **<MENU>** repeatedly until **SHOW** blinks on the display.
2. Press **<ENTER>** to next programming level.
3. Use **<UP>** or **<DOWN>** to scroll through the different individual Auto or Sound show options.
4. Press **<ENTER>** to put the fixture into the selected mode.
5. Use **<UP>** or **<DOWN>** to adjust the mode speed, **F 01** (fast) to **F 99** (slow).
6. Press **<ENTER>**.

Master/Slave Mode

The Master/Slave mode allows a single GigBAR™ IRC product (the master) to control the actions of one or more GigBAR™ IRC products (the slaves) without the need for a DMX controller. The master will be set to operate in either Automatic or Sound-Active mode, while the slaves will be set to operate in Slave mode. Once set and connected, the slave units will operate in unison with the master.

Configure the products as indicated below.

For every slave:

1. Press **<MENU>** repeatedly until **Slav** blinks on the display.
2. Press **<ENTER>** to put the fixture in Slave mode. The display will continue to blink.
3. Repeat steps 1 and 2 for every slave.
4. Connect the DMX output of the first slave unit to the DMX input of the next slave unit.
5. Connect the DMX input of each subsequent slave unit to the DMX output of the previous slave unit.



- **Configure all the slave units before connecting the master to the DMX daisy chain.**
- **The display on the slaves will continue to blink until the slaves are receiving a DMX signal from the master.**

Master/Slave Mode (Cont.)

- For the master:**
1. Connect the DMX output of the master to the DMX input of the first slave unit.
 2. Set the master unit to operate in either Automatic or Sound-Active mode.



- **Make sure the master is the first unit in the DMX chain.**
- **Never connect a DMX controller to a DMX chain configured for Master/Slave operation because the controller may interfere with the signals from the master.**
- **Do not connect more than 31 slaves to the master.**

Configuration (DMX)

Set the product in DMX mode to control with a DMX controller. The product uses a 3-pin DMX cable.

1. Connect the product to a suitable power outlet.
2. Connect a DMX cable from the DMX output of the DMX controller to the DMX input socket on the product.

DMX Personality and Starting Address

When selecting a DMX starting address, always consider the number of DMX channels used by the fixture. If you choose a starting address that is too high, you could restrict the access to some of the product's channels.

The GigBAR™ IRC uses 3-, 8- and 19-channel DMX personalities, which means the highest DMX address you can use is **494**.

If you are not familiar with the DMX protocol, download the DMX Primer from http://www.chauvetlighting.com/downloads/DMX_Primer_Rev6_WO.pdf.

To select the DMX personality and starting DMX address, do the following:

1. Press **<MENU>** repeatedly until the desired DMX personality (**3 CH**, **8 CH**, or **19CH**) blinks on the display.
2. Press **<ENTER>** and **D**** blinks on the display.
3. Use **<UP>** or **<DOWN>** to select the starting address (**d001–d512**).
4. Press **<ENTER>** to put the fixture in DMX mode. The display will continue to blink.

Custom Color Adjustment

To set both the Par and kinta to a custom color, do the following:

1. Press **<MENU>** repeatedly until **CoLo** blinks on the display.
2. Press **<ENTER>**.
3. Use **<UP>** or **<DOWN>** to scroll through **R**** (red), **G**** (green), or **B**** (blue).
4. Press **<ENTER>** to select the color.
5. Use **<UP>** or **<DOWN>** to adjust the color saturation (**X000–X255**).
6. Press **<ENTER>**.
7. Repeat Steps 3 through 5 for each color.

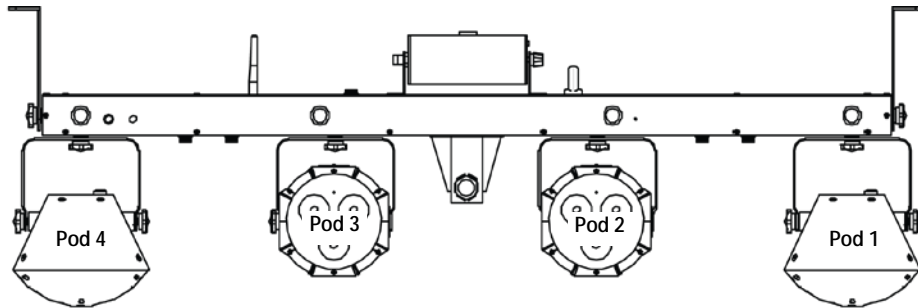
System Settings

To restore factory default settings, or make changes to individual pod settings, follow the directions below.

1. Press **<MENU>** repeatedly until **SyS** blinks on the display.
2. Press **<ENTER>**.
3. Use **<UP>** or **<DOWN>** to select **rSEt** (factory default) or **dSEt** (changes pod arrangement).
4. Press **<ENTER>** to select the desired system setting.

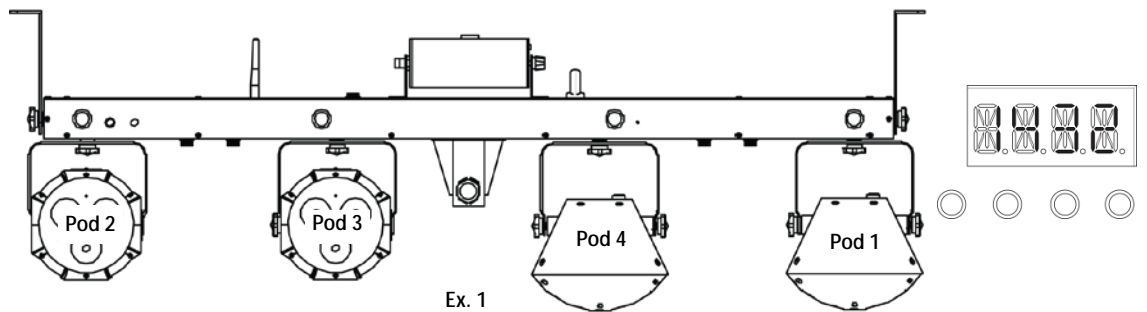
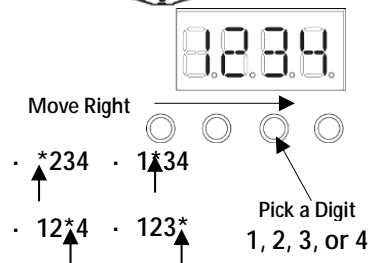
If **rSEt** is selected, GigBAR™ IRC is restored to factory default settings.

Default Pod Arrangement

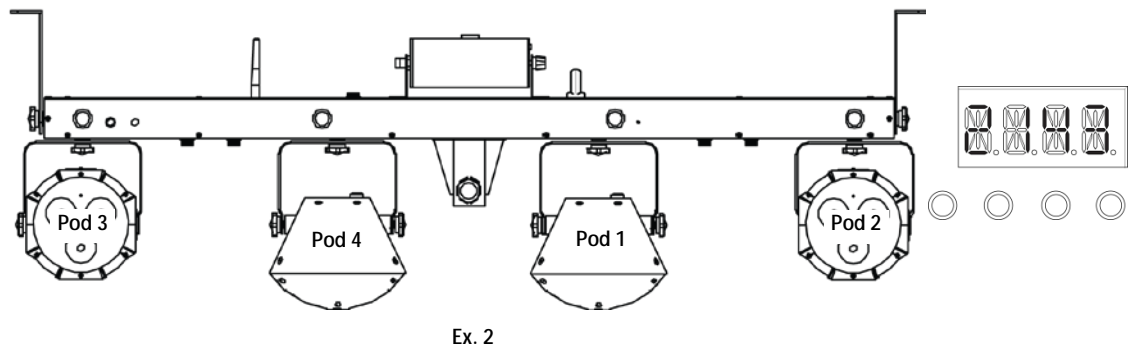


If **dSEt** is selected, change the order of the pods by using the steps and examples below to arrange the order of the pods:

- Use **<UP>** to move right on the display.
- Use **<DOWN>** to change the digit value (1, 2, 3, or 4).
- Press **<ENTER>** to confirm.
- Repeat until all 4 pods are arranged as desired.



Examples of Pod Order Rearrangement



DMX Channel Assignments and Values

19CH	Channel	Function	Value	Setting
	1	Par 1 Control	000 ó 255	Red 0–100%
	2		000 ó 255	Green 0–100%
	3		000 ó 255	Blue 0–100%
	4		000 ó 127	RGB, based on channels 1, 2, and 3
			128 ó 239	Strobe speed, slow to fast
			240 ó 249	Strobe to sound
			250 ó 255	RGB 100%
	5	Par 2 Control	000 ó 255	Red 0–100%
	6		000 ó 255	Green 0–100%
	7		000 ó 255	Blue 0–100%
	8		000 ó 127	RGB, based on channels 5, 6, and 7
			128 ó 239	Strobe speed, slow to fast
			240 ó 249	Strobe to sound
			250 ó 255	RGB 100%
	9	Kinta 1 Control	000 ó 024	Blackout
			025 ó 049	Red
			050 ó 074	Green
			075 ó 099	Blue
			100 ó 124	Red + Green
			125 ó 149	Red + Blue
			150 ó 174	Green + Blue
			175 ó 199	Red + Green + Blue
			200 ó 224	Automatic (single colors only)
			225 ó 255	Automatic (two colors at a time)
	10	Kinta 1 Strobe Rate	000 ó 009	No function
			010 ó 239	Strobe, 0–30 Hz
			240 ó 255	Strobe to sound
	11	Kinta 1 Rotation	000 ó 004	Stop
			005 ó 127	Rotate clockwise, slow to fast
			128 ó 133	Stop
			134 ó 255	Rotate counter-clockwise, slow to fast

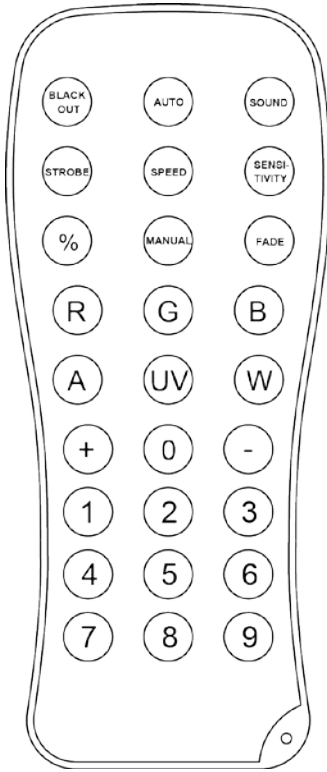
19CH	Channel	Function	Value	Setting
12	Kinta 2 Control	000 ó 024	Blackout	
		025 ó 049	Red	
		050 ó 074	Green	
		075 ó 099	Blue	
		100 ó 124	Red + Green	
		125 ó 149	Red + Blue	
		150 ó 174	Green + Blue	
		175 ó 199	Red + Green + Blue	
		200 ó 224	Automatic (single colors only)	
		225 ó 255	Automatic (two colors at a time)	
13	Kinta 2 Strobe Rate	000 ó 009	No function	
		010 ó 239	Strobe, 0–30 Hz	
		240 ó 255	Strobe to sound	
14	Kinta 2 Rotation	000 ó 004	Stop	
		005 ó 127	Rotate clockwise, slow to fast	
		128 ó 133	Stop	
		134 ó 255	Rotate counter-clockwise, slow to fast	
15	Laser Strobe Rate	000 ó 009	No Function	
		010 ó 239	Slow to Fast Strobe	
		240 ó 255	Strobe to Sound	
16	Laser Pattern	000 ó 004	Stop	
		005 ó 127	Rotate Clockwise	
		128 ó 133	Stop	
		134 ó 255	Rotate Counter-Clockwise	
17	Strobe Patterns	000 ó 009	Blackout	
		010 ó 029	Auto Program 1	
		030 ó 049	Auto Program 2	
		050 ó 069	Auto Program 3	
		070 ó 089	Auto Program 4	
		090 ó 109	Auto Program 5	
		110 ó 129	Auto Program 6	
		130 ó 149	Auto Program 7	
		150 ó 169	Auto Program 8	
		170 ó 189	Auto Program 9	
		190 ó 209	Slow to Fast Strobe	
210 ó 255	Strobe to Sound			
18	Strobe Dim	000 ó 255	LED Dimmer	
19	Strobe Speed	000 ó 255	Speed (slow to fast)	

8 CH	Channel	Function	Value	Setting
	1	Pars and Kinta Color	000 ó 255	Red 0–100%
	2	Pars and Kinta Color	000 ó 255	Green 0–100%
	3	Pars and Kinta Color	000 ó 255	Blue 0–100%
	4	Pars and Kinta Strobe Controls	000 ó 127	All 0–100%
			128 ó 239	Strobe speed
			240 ó 249	Sound strobe
			250 ó 255	Full On
	5	Kinta Motor Rotation	000 ó 004	Stop
			005 ó 127	Rotate clockwise, slow to fast
			128 ó 133	Stop
			134 ó 255	Rotate counter-clockwise, slow to fast
	6	Green Laser Controls	000 ó 004	Green laser blackout
			005 ó 054	Green laser on
			055 ó 255	Green laser strobe speed, slow to fast
	7	Laser Movement Speed	000 ó 004	No movement
			005 ó 127	Clockwise rotation, slow to fast
			128 ó 133	Motion stop
			134 ó 255	Counter-clockwise rotation, slow to fast
	8	Strobe Speed	000 ó 054	White strobe dimmer, 0–100%
			055 ó 255	White strobe speed, slow to fast

3 CH	Channel	Function	Value	Setting
1	LED Operation		000 ó 009	No function
			010 ó 229	Auto mixed mode, fast to slow
			230 ó 239	Sound mixed mode
			240 ó 255	Show setting,when channels 2 and 3 activated
2	Operation		000 ó 009	Blackout
			010 ó 019	Pars on ONLY, doing all single Par show
			020 ó 029	Kintas on ONLY
			030 ó 039	Laser on ONLY
			040 ó 049	Strobes on ONLY, doing all single strobe show
			050 ó 059	Auto Pars and kintas ONLY
			060 ó 069	Auto Pars and laser ONLY
			070 ó 079	Auto Pars and strobes ONLY
			080 ó 089	Auto kintas, and laser ONLY
			090 ó 099	Auto strobes and kintas ONLY
			100 ó 109	Pars, kintas, and laser
			110 ó 119	Pars, kintas, and strobes
			120 ó 129	Pars, laser, and strobes
			130 ó 139	Kintas, laser, and strobes
			140 ó 149	Sound Par effect
			150 ó 159	Sound kinta effect
			160 ó 169	Sound laser effect
			170 ó 179	Sound strobe effect
			180 ó 189	Sound Par + kinta
			190 ó 199	Sound Par + laser
			200 ó 209	Sound Par + strobe
			210 ó 219	Sound kinta + laser
			220 ó 229	Sound kinta + strobe
			230 ó 239	Sound pars, kintas and laser
			240 ó 244	Sound pars, kinta and strobes
245 ó 249	Sound pars, laser and strobes			
250 ó 255	Sound kintas, laser and strobes			
3	Auto Speed		000 ó 255	Speed, when 050–099 in channel 2

IRC-6 (Infrared Remote Control 6) Operation

Note: Make sure to point the IRC-6 directly at the receiver on the product.



Automatic Mode

Automatic mode will enable you to run the automatic programs on the product.

To turn on Automatic mode:

- Press and hold **<AUTO>** on the IRC-6.
- Press any number between **<0>** and **<9>** to choose your auto program.
 - **<0> All On**
 - **<1> AP01**
 - **<2> AP02**
 - **<3> AK01**
 - **<4> AL01**
 - **<5> APK1**
 - **<6> APL1**
 - **<7> AKL1**
 - **<8> APKL**
 - **<9> AKLS**
- Press **<+>** or **<->** to either increase or decrease the speed of the program.

Sound-Active Mode

Sound-Active mode will enable the product to respond to the music.

To turn on Sound-Active mode:

- Press and hold **<SOUND>** on the IRC-6.
- Press any number between **<0>** and **<9>** to choose your auto program.
 - **<0> All On**
 - **<1> SP01**
 - **<2> SP02**
 - **<3> SK01**
 - **<4> SL01**
 - **<5> SPK1**
 - **<6> SPL1**
 - **<7> SKL1**
 - **<8> SPKL**
 - **<9> SKLS**

Strobe Modes

To adjust the strobe program and rate:

- Press and hold **<STROBE>** on the IRC-6.
- Press **<0>** to Strobe All, or any number between **<1>** and **<9>** to choose your auto program.
- Press **<+>** or **<->** to increase or decrease the strobe rate.
- Press **<STROBE>** again to turn off the strobe.

Miscellaneous Operation

To adjust the fade rate of the Par and kinta color output:

- Press and hold **<FADE>** on the IRC-6.
- Press **<+>** or **<->** to increase or decrease the fade rate.

To adjust the brightness of color or strobe:

- Press **<%>** on the IRC-6.

1 x Press	2 x Press	3 x Press	4 x Press	5 x Press
100%	75%	50%	25%	0%

To black out the lights:

- Press **<BLACK OUT>** on the IRC-6. This will turn off all the lights until the button is pressed again.

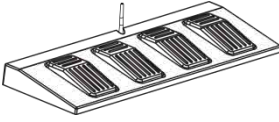
Note: The IRC-6 will not respond to any inputs when Black Out is activated. If the remote does not respond when a button is pressed, try pressing **<BLACK OUT>**. You may have inadvertently activated Black Out.

Footswitch Operation

The included wireless footswitch provides quick access to preset colors, color-change programs, and sound-activation through the GigBAR™ IRC microphone.

To use the footswitch:

1. Connect the GigBAR™ IRC to power.
2. Raise the wireless antennas located on the GigBAR™ IRC and the footswitch.
3. Press pedal #1 (Auto) to activate Auto program controls. When working, all the lights will begin in Auto mode (**AM01**).
4. Use the chart below to activate the desired function.



Pedal	Sub-option	Function
1 (Auto)	1 x press	Auto mode Pars, kintas, laser and strobes (AM01)
	2 x press	AP01
	3 x press	AP02
	4 x press	AK01
	5 x press	AL01
	6 x press	APK1
	7 x press	APL1
	8 x press	AKL1
	9 x press	APKL
	10 x press	AKLS
2 (Sound)	1 x press	Sound mode Pars, kintas, laser and strobes (SM01)
	2 x press	SP01
	3 x press	SP02
	4 x press	SK01
	5 x press	SL01
	6 x press	SPK1
	7 x press	SPL1
	8 x press	SKL1
	9 x press	SPKL
	10 x press	SKLS
3 (Color)	1 x press	Red without laser, no strobe
	2 x press	Green without laser, no strobe
	3 x press	Blue without laser, no strobe
	4 x press	Yellow without laser, no strobe
	5 x press	Cyan without laser, no strobe
	6 x press	Pink without laser, no strobe
	7 x press	White without laser, no strobe
	8 x press	Red with laser, no strobe
	9 x press	Green with laser, no strobe
	10 x press	Blue with laser, no strobe
	11 x press	Yellow with laser, no strobe
	12 x press	Cyan with laser, no strobe
	13 x press	Pink with laser, no strobe
	14 x press	White with laser, no strobe
4 (Blackout)	N/A	Immediately turns OFF all the light fixtures

See [Menu Map](#) for description

See [Menu Map](#) for description



The GigBAR™ IRC footswitch will work properly in any mode, with a maximum unobstructed distance of 100 ft (30.5 m). You must turn on the Wi-Fi™ on the GigBAR™ IRC before using the footswitch.

5. TECHNICAL INFORMATION

Product Maintenance Dust build-up reduces light output performance and can cause overheating. To maintain optimum performance, clean the product at least twice a month. However, usage and environmental conditions contribute to increasing the cleaning frequency.

To clean the product, follow the instructions below:

1. Unplug the product from power.
2. Wait until the product is at room temperature.
3. Use a vacuum (or dry compressed air) and a soft brush to remove dust collected on the external surfaces and fan vents.
4. Clean the transparent panel (laser aperture) with a mild solution of non-ammonia glass cleaner or isopropyl alcohol.
5. Apply the solution directly to a soft, lint-free cotton cloth or a lens cleaning tissue.
6. Softly wipe any dirt or grime to the outside edges of the glass.
7. Gently polish the transparent surface until they are free of haze and lint.



Always dry the optical surfaces carefully after cleaning them.



Do not spin the cooling fan using compressed air because you could damage it.

6. TECHNICAL SPECIFICATIONS

Dimensions and Weight

GigBAR™ IRC	Length	Width	Height	Weight
	46.7 in (1,185 mm)	4.3 in (110 mm)	15.2 in (387 mm)	14.4 lb (6.6 kg)
Tripod	Min Height	Max Height	Leg Width (Footprint)	Size
	4.8 ft (1.5 m)	8.3 ft (2.5 m)	3.9 ft (1.2 m)	1.5 in (37.4 mm)

Note: Dimensions in inches rounded to the nearest decimal digit.

Power	Input Voltage	Range	Voltage Selection
	Switching (internal)	100–240 VAC, 50/60 Hz	Auto-ranging
	Parameter	230 V, 50 Hz	
	Consumption	43 W	
	Operating current	1 A	
	Power linking current (units)	10.4 A (29 units)	
	Fuse	T 1.6 A, 250 V	
	Power I/O	UK/Europe	
	Power input connector	IEC	
	Power output connector	IEC	
	Power cord plug	Local plug	

Light Source

Laser	Type	Power	Wavelength
	Laser (green)	30 mW	532 nm
LED	Type	Power	Lifespan
Kintas	LED	6 W	50,000 hours
	Color	Quantity	Current
	Red	2	1.7 A
	Green	2	1.7 A
	Blue	2	1.7 A
Pars	Type	Power	Lifespan
	LED	2.5 W	50,000 hours
	Color	Quantity	Current
	Tri-color RGB	6	956 mA
Strobes	Type	Power	Lifespan
	LED	1 W	50,000 hours
	Color	Quantity	Current
	White	4	281 mA

Photo Optic	Parameter	Value	
	Coverage angle (laser)	93°	
	Coverage angle (kinta)	114°	
	Field angle (strobe)	18°	
	Field angle (Pars)	24°	
	Beam angle (strobe)	8°	
	Beam angle (Pars)	13°	
	Strobe rate	0–18 Hz	
	Illuminance @ 2 m (strobe)	86 lux (per zone)	
Illuminance @ 2 m (Pars)	1,205 lux (per head)		
Thermal	Maximum External Temp.	Cooling System	
	104 °F (40 °C)	Fan-cooled and Convection	
Footswitch	Operating Frequency	Max Distance (unobstructed)	
	433 MHz	100 ft (30.5 m)	
DMX	I/O Connectors	Connector Type	Channel Range
	3-pin XLR	Sockets	3, 8 or 19
Ordering	Product Name	Item Code	UPC Code
	GigBAR™ IRC	10050931	781462212797



RETURNS

In case you need to get support or return a product:

- If you are located in the U.S., contact Chauvet World Headquarters.
- If you are located in Mexico, contact Chauvet Mexico.
- If you are located in any other country, DO NOT contact Chauvet. Instead, contact your local distributor. See www.chauvetlighting.com for distributors outside the U.S. or Mexico.



If you are located outside the U.S. or Mexico, contact your distributor of record and follow their instructions on how to return Chauvet products to them. Visit our website www.chauvetlighting.com for contact details.

Call the corresponding Chauvet Technical Support office and request a Return Merchandise Authorization (RMA) number before shipping the product. Be prepared to provide the model number, serial number, and a brief description of the cause for the return.

Send the merchandise prepaid, in its original box, and with its original packing and accessories. Chauvet will not issue call tags.

Clearly label the package with the RMA number. Chauvet will refuse any product returned without an RMA number.



Write the RMA number on a properly affixed label. DO NOT write the RMA number directly on the box.

Before sending the product, clearly write the following information on a piece of paper and place it inside the box:

- Your name
- Your address
- Your phone number
- RMA number
- A brief description of the problem

Be sure to pack the product properly. Any shipping damage resulting from inadequate packaging will be your responsibility. FedEx packing or double-boxing are recommended.



Chauvet reserves the right to use its own discretion to repair or replace returned product(s).

CONTACT US

WORLD HEADQUARTERS - Chauvet

General Information

Address: 5200 NW 108th Avenue
Sunrise, FL 33351
Voice: (954) 577-4455
Fax: (954) 929-5560
Toll free: (800) 762-1084

Technical Support

Voice: (954) 577-4455 (Press 4)
Fax: (954) 756-8015
Email: tech@chauvetlighting.com

World Wide Web www.chauvetlighting.com

UNITED KINGDOM AND IRELAND - Chauvet Europe Ltd.

General Information

Address: Unit 1C
Brookhill Road Industrial Estate
Pinxton, Nottingham, UK
NG16 6NT
Voice: +44 (0)1773 511115
Fax: +44 (0)1773 511110

General Information

Address: Unit 1C
Brookhill Road Industrial Estate
Pinxton, Nottingham, UK
NG16 6NT
Voice: +44 (0)1773 511115
Fax: +44 (0)1773 511110

Outside the U.S., United Kingdom, Ireland, or Mexico, contact your dealer. Follow their instructions to request support or to return a product. Visit our website for contact details.

1. ANTES DE EMPEZAR

Que va Incluido

- GigBAR™ IRC
- Cable de alimentación
- 2 soportes en L
- Conmutador de pie inalámbrico con batería
- Bolsa de material VIP
- Llave de enclavamiento
- Conector de enclavamiento remoto
- Trípode
- Bolsa de transporte de trípode
- Tarjeta de garantía
- Manual de Usuario

Descripción

El GigBAR™ IRC es el sistema todo en uno definitivo, que contiene dos efectos derby giratorios LED RGB, dos reflectores LED tricolor de alta potencia, y láser verde y un estroboscopio blanco con efecto de emisión múltiple. Permite un control independiente de color y programa para cada una de las cabezas de ajuste individual de forma sencilla. El mando a distancia IRC-6 se vende por separado.

Instrucciones de Desembalaje

Desembale el producto con cuidado inmediatamente y compruebe la caja para asegurarse de que todas las piezas están en el paquete y en buen estado.

Reclamaciones




Si la caja o el contenido (el producto y los accesorios incluidos) parecen dañados a causa del transporte o muestran signos de manipulación inadecuada, notifíquese inmediatamente al transportista, y no a Chauvet. Si no lo hace oportunamente, puede quedar invalidada su reclamación al transportista. Además, guarde la caja y todo el material de embalaje para su inspección.

Para otras incidencias, como componentes o piezas que falten, daños no relacionados con el transporte o daños no evidentes, presente una reclamación a Chauvet en el plazo de 7 días desde la entrega.

Convenciones del Manual

Convención	Significado
1–512	Un rango de valores
50/60	Un conjunto de valores de los cuales solo se puede escoger uno
Settings	Una opción de menú que no se puede modificar
Menu > Settings	Una secuencia de opciones de menú que ha de seguirse
<ENTER>	Una tecla que se tiene que pulsar en el panel de control del producto
ON	Un valor que se tiene que introducir o seleccionar

Símbolos

Símbolo	Significado
	Instalación, configuración o información sobre funcionamiento crítica. Hacer caso omiso de esta información puede hacer que el producto no funcione, que se averíe, o causar daños al usuario.
	Instalación o información de configuración importante. El producto puede no funcionar correctamente si esta información no se usa.
	Información útil.

Exención de Responsabilidad

La información y especificaciones contenidas en este documento están sujetas a cambio sin previo aviso. Chauvet no asume responsabilidad de ningún tipo por cualquier error u omisión que pueda aparecer en este manual, y se reserva el derecho a revisar o rehacer este manual en cualquier momento. Descargue la última versión de <http://www.chauvetlighting.com/product-manuals-literature/>.

© Copyright 2014 Chauvet. Todos los derechos reservados.

Impreso en la R. P. China. Publicación en formato electrónico por Chauvet en EE. UU.

Autor	Fecha	Editor	Fecha
A. Leon	22/09/14	M. Trouard	22/09/14

Notas de Seguridad

Las Notas de seguridad incluyen información importante sobre seguridad del sistema láser. Lea y comprenda todas las instrucciones antes de encender el láser por primera vez. Conocer las instrucciones de seguridad es crucial para evitar lesiones oculares y para no infringir la ley. Mantenga este Manual de usuario en un lugar seguro para futuras consultas.



DETÉNGASE Y LEA TODOS LOS DATOS DE SEGURIDAD LÁSER



- Los láseres pueden ser peligrosos y tienen consideraciones de seguridad particulares. Puede producirse lesión ocular permanente y ceguera si los láseres se usan incorrectamente. Ponga máxima atención a todos los COMENTARIOS y ADVERTENCIAS de seguridad de este Manual de usuario. Lea atentamente todas las instrucciones ANTES de poner en funcionamiento este dispositivo.
- Conecte siempre el producto a un circuito con toma de tierra para evitar el riesgo de electrocución.
- Desconecte siempre el producto de la alimentación antes de limpiarlo.
- Evite la exposición directa de los ojos a la fuente de luz mientras el producto esté encendido.
- Asegúrese de que el cable de alimentación no está retorcido ni estropeado.
- Nunca desconecte este producto de la alimentación agarrando o tirando del cable.
- Si monta el producto en alto, asegure siempre a un dispositivo de seguridad usando cable de seguridad.
- Asegúrese de que no hay materiales inflamables cerca del producto cuando esté en funcionamiento.
- No toque la carcasa del producto cuando esté en funcionamiento, porque podría estar muy caliente.



- Este producto no está concebido para una instalación permanente.
- Asegúrese siempre de que la tensión del enchufe al que conecte el producto está en el rango establecido en el grabado o en el panel posterior del producto.
- ¡El producto es para uso en interiores solamente! (IP20) Para evitar riesgos de incendio o descarga, no exponga el producto a la lluvia o la humedad.
- Instale siempre el producto en una ubicación con ventilación adecuada, al menos a 20" (50 cm) de superficies adyacentes.
- Asegúrese de que no queda bloqueada ninguna ranura de ventilación en la carcasa del producto.
- Nunca conecte el producto a un atenuador.
- Use siempre el soporte de montaje para trasladar el producto.
- No apague/encienda el producto a intervalos cortos. Esto acortará la vida del diodo láser.
- NO sacuda este producto. Evite usar la fuerza bruta cuando monte o maneje el producto.
- Use SIEMPRE un cable de seguridad cuando monte este producto en lo alto.
- La temperatura ambiente (Ta) máxima es de 40 °C (104 °F). No haga funcionar el producto a temperaturas más altas.
- En caso de un problema grave de funcionamiento, deje de usar el producto inmediatamente.
- Nunca intente reparar el producto. Las reparaciones llevadas a cabo por personal no cualificado pueden provocar averías o funcionamiento defectuoso. Póngase en contacto con el centro de asistencia técnica autorizado más cercano.



¡CUIDADO! El uso de controles, ajustes o procedimientos distintos a ESTOS que se especifican EN ESTE MANUAL DE USUARIO pueden causar exposición peligrosa a la radiación.



- Es requisito de Chauvet colocar sacos de arena en la base del pie para aumentar la estabilidad.
- **NO** sobrepase el punto marcado como tope del mástil.



- **NO** apriete excesivamente la rueda de ajuste en el punto de inserción de montaje del trípode, ya que esto puede dañar el mástil o el soporte.
- **NO** use este soporte de ninguna forma que no esté prevista.



- Evite el contacto directo de los ojos con la luz del láser. Nunca exponga intencionadamente sus ojos o los de otras personas a la luz directa del láser.
- Este producto láser puede causar lesiones oculares al instante, o ceguera, si la luz del láser incide directamente en los ojos.
- Es ilegal y peligroso alumbrar con este láser zonas de espectadores en las que el público u otro personal pueda recibir rayos láser o reflejos de su brillo directamente en los ojos.
- Se trata de un ilegal a brillar cualquier láser a los aviones. El uso de controles, ajustes o procedimientos distintos a los especificados en este Manual de usuario pueden causar exposición peligrosa a la radiación.
- **NO intente ninguna reparación. Las reparaciones y la asistencia deben ser llevadas a cabo por un técnico autorizado. ¡Las modificaciones no autorizadas están prohibidas por motivos de seguridad!**



- **Guarde este Manual de usuario para futuras consultas. Si este producto pasa a ser propiedad de otro usuario, asegúrese de que este documento acompaña al láser.**

**Advertencia
sobre Carcasa no
Enclavada**

- Esta unidad contiene internamente dispositivos láser de alta potencia.
- Esta unidad no se apagará automáticamente ni permanecerá apagada si abre su carcasa (carcasa no enclavada).
- No haga funcionar el láser si la carcasa está abierta, debido a la potencial exposición a niveles no seguros de radiación láser.
- Los niveles de potencia del láser a los que se tiene acceso si la unidad está abierta durante el funcionamiento pueden causar ceguera instantánea, quemaduras en la piel e incendios.

**Notas de
Seguridad
sobre Láser**



**DETÉNGASE Y LEA TODAS LAS NOTAS DE SEGURIDAD
SOBRE EL LÁSER SIGUIENTES**



La luz láser es diferente de cualquier otra luz. La luz láser puede causar lesiones oculares si el producto no se instala y usa adecuadamente. La luz láser es miles de veces más concentrada que cualquier otro tipo de luz. Esta concentración puede causar lesiones instantáneas en el ojo por quemadura de la retina (la zona sensible a la luz en la parte posterior del ojo). El calor de una luz láser podría no sentirse y aun así puede quemar o dejar ciegos a los operadores del producto o al público. Incluso cantidades muy pequeñas de luz láser, y a larga distancia, son potencialmente peligrosas.

No mire fijamente el rayo, en cualquier momento. Producto de Clase 2M láser emite radiación láser.

NO apunte el dispositivo hacia los ojos de nadie.

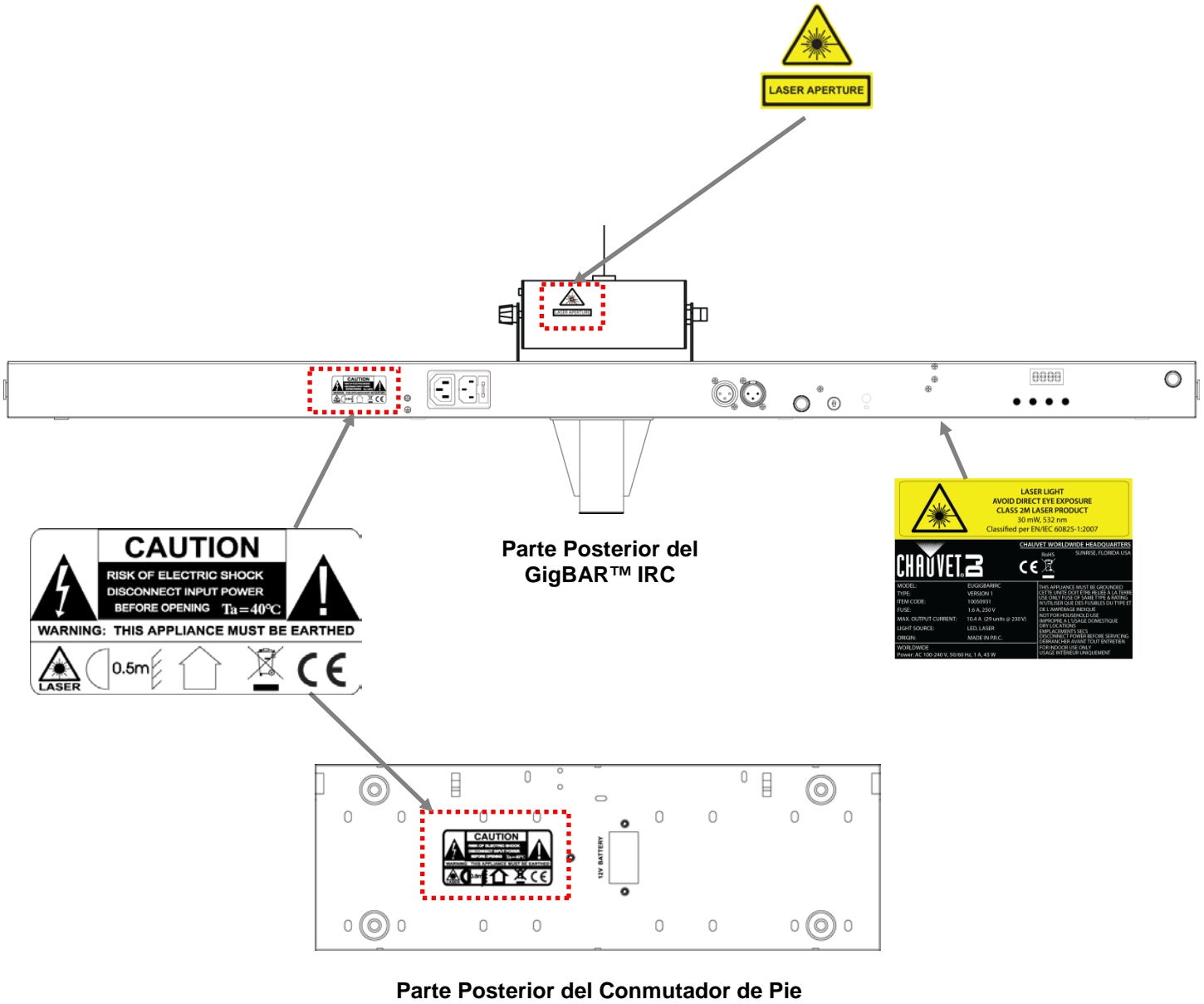
-
- No ponga en funcionamiento el láser sin primero leer y comprender todos los datos técnicos y de seguridad de este manual.
 - Ubique e instale todos los efectos láser SIEMPRE de forma que toda la luz láser esté al menos a 3 m (9,8 pies) sobre el nivel del suelo en el que se encuentra la gente. Vea el apartado [Uso Adecuado](#) de este manual.
 - Después de la instalación, y antes de su uso público, pruebe los láseres para asegurarse de que funcionan adecuadamente. No use el producto si detecta cualquier defecto.
 - NO use el láser si este emite solo uno o dos haces en lugar de docenas/centenares, pues esto indica una avería en la óptica de la rejilla de difracción, y permite la emisión de niveles de láser por encima de la Clase 2M.
 - NO apunte con láser a personas o animales.
 - NO mire a la apertura del láser o a los haces de láser.
 - NO apunte con láser en zonas en la que la gente pueda quedar expuesta.
 - NO apunte con láseres a superficies muy reflectantes como ventanas, espejos y metal pulido. Incluso los reflejos del láser pueden ser peligrosos.
 - Nunca apunte un láser a los aviones; revisar sus leyes locales para las restricciones antes de utilizar este láser.
 - Nunca apunte hacia el cielo con haces láser sueltos.
 - No exponga la óptica de salida (apertura) a productos de limpieza químicos agresivos.
 - No use el láser si la carcasa está averiada o abierta, o si la óptica parece dañada de cualquier modo.
 - Nunca abra la carcasa del láser. Los altos niveles de potencia láser dentro de la carcasa protectora pueden originar incendios o quemaduras en la piel y causarán lesiones oculares al instante.
 - Nunca deje este producto en funcionamiento sin vigilancia.
 - El funcionamiento de un láser de espectáculo de Clase 2M se permite solo si el espectáculo es controlado por un profesional experimentado y bien formado, familiarizado con los datos contenidos en este manual.
 - Los requisitos legales para usar productos de láser recreativo varían de un país a otro. El usuario es responsable de los requisitos legales del lugar/país en que lo utilice.



¡CUIDADO! No ponga en funcionamiento este dispositivo en formas no especificadas en este Manual de usuario. No seguir las instrucciones invalidará la garantía, podría dañar el producto o lesionar al usuario o al público.

¡CUIDADO! Este producto no se puede tirar con la basura doméstica. Póngase en contacto con el servicio de recogida para la eliminación de aparatos electrónicos de su zona.

Reproducción de la Etiqueta de Seguridad del Láser



CAUTION
 RISK OF ELECTRIC SHOCK
 DISCONNECT INPUT POWER
 BEFORE OPENING $T_a=40^{\circ}\text{C}$

WARNING: THIS APPLIANCE MUST BE EARTHED

LASER 0.5m

LASER LIGHT
 AVOID DIRECT EYE EXPOSURE
 CLASS 2M LASER PRODUCT
 30 mW, 532 nm
 Classified per EN/IEC 60825-1:2007

CHAUVET CHAUVET WORLDWIDE HEADQUARTERS
 SUITE 3000
 SUNRISE, FLORIDA, USA

MODEL:	EUGIGBARIC	THIS APPLIANCE MUST BE GROUND EARTHED. ALWAYS USE THE CORRECT TYPE OF WIRE AND WIRE SIZE. ONLY USE OF SAME TYPE & RATING WIRE FOR USE IS PERMITTED. DO NOT USE EXTENSION CORDS OR ADAPTERS.
TYPE:	VIDEOKIT	CE
ITEM CODE:	1000001	
RATE:	1.8 A, 250V	
MARK OUTPUT CURRENT:	100mA (200mA @ 230V)	
LIGHT SOURCE:	LED LASER	
ORIGIN:	MADE IN P.R.C.	
WORLDWIDE Power: AC 100-240V, 50/60 Hz, 1 A, 43 W		

Advertencia sobre Exposición al Láser



LUZ LÁSER EVITE LA EXPOSICIÓN DIRECTA AL OJO

Se pueden encontrar más directrices y programas de seguridad para el uso seguro de láseres en la Normativa ANSI Z136.1 "Para uso seguro de Láseres", disponible en el Laser Institute of America: www.laserinstitute.org. Muchos gobiernos locales, corporaciones, agencias, ejército y otros requieren que todos los láseres se usen bajo las directrices de ANSI Z136.1. La guía Laser Display puede obtenerse de la International Laser Display Association: www.laserist.org.

Datos de Emisión Láser

Según se midió bajo condiciones de medición IEC para clasificación

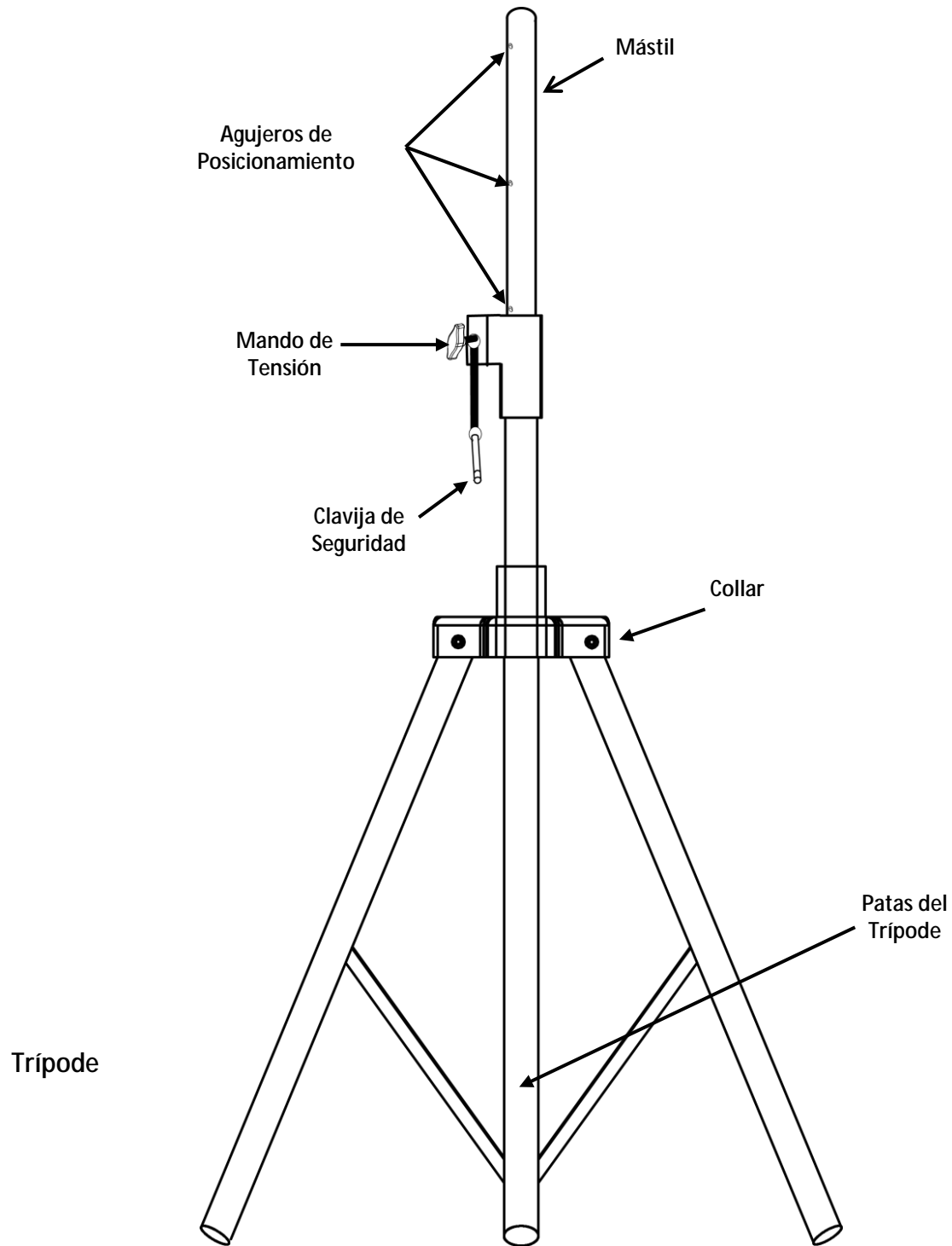
Clasificación láser	Clase 2M
Láser Verde Medio	DPSS Nd:YVO4, 532 nm/30 mW
Diámetro del haz	<5 mm en la apertura
Datos de pulso	Todos los pulsos < 4 Hz (>0,25 s)
Divergencia (cada haz)	<2mrad
Divergencia (luz total)	<160 grados
Potencia láser de cada haz desde la apertura	5 mW

Declaración de Conformidad Láser

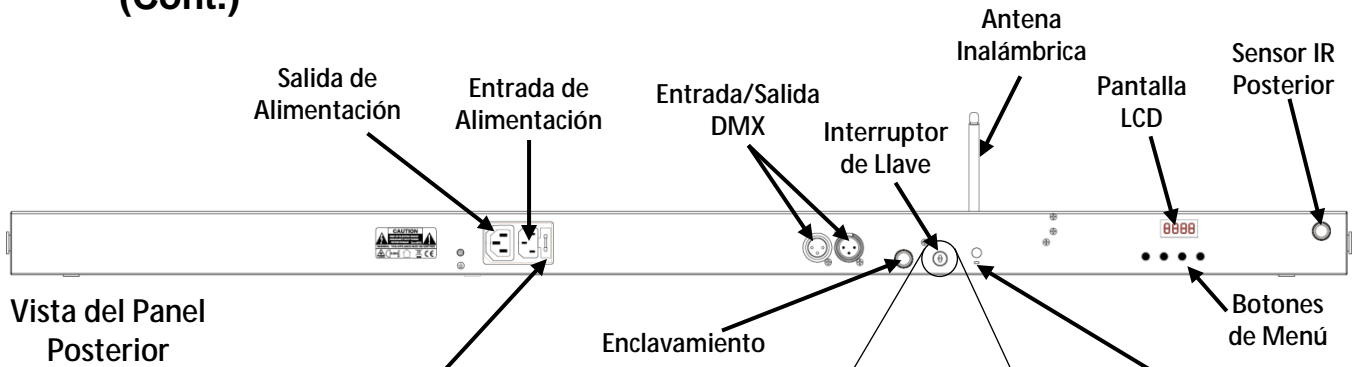
Este producto láser cumple las directivas EN/IEC 60825-1 Ed 2, 2007-03, y U.S. FDA/CDRH FLPPS mediante las condiciones de Laser Notice No. 50 de fecha 24 de junio de 2007. Este dispositivo láser se clasifica 2M. (Clase 2M es el equivalente internacional de US Clase IIIa.) No es necesario ningún mantenimiento para que este producto siga cumpliendo los estándares de rendimiento láser.

2. INTRODUCCIÓN

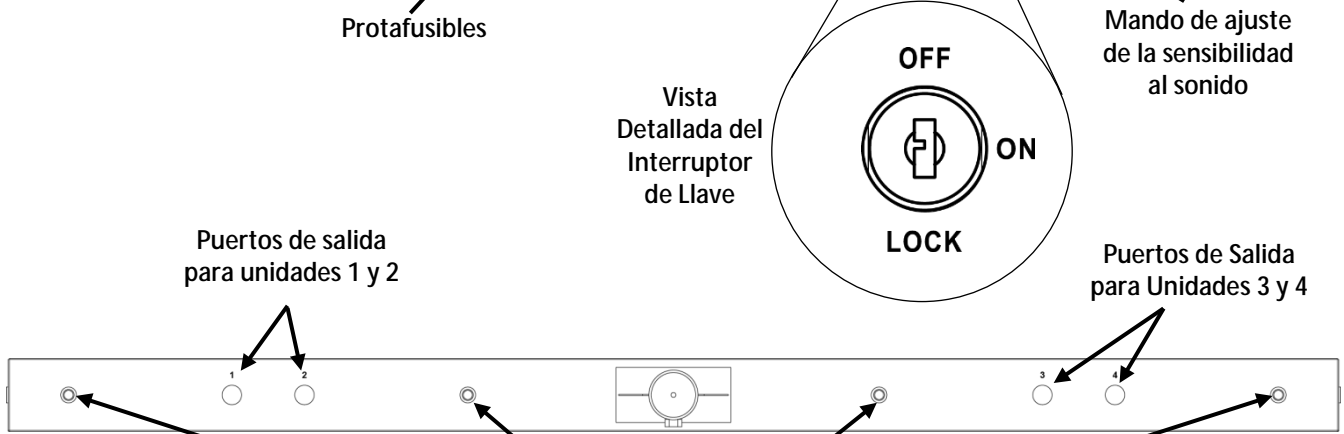
Vista General



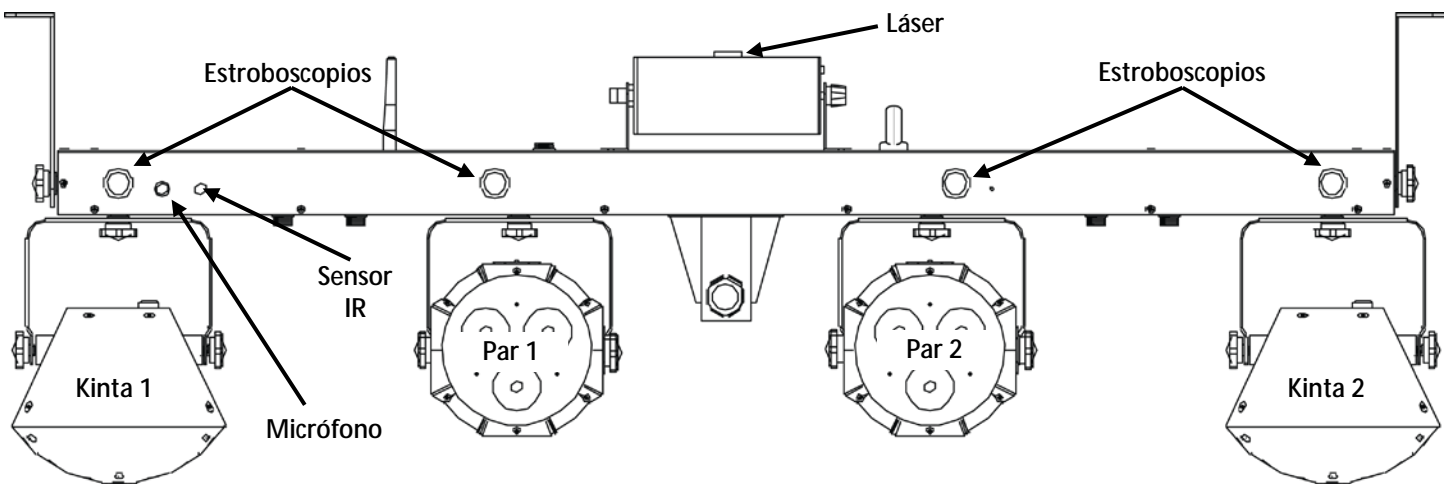
Vista General (Cont.)



Vista del Panel Posterior

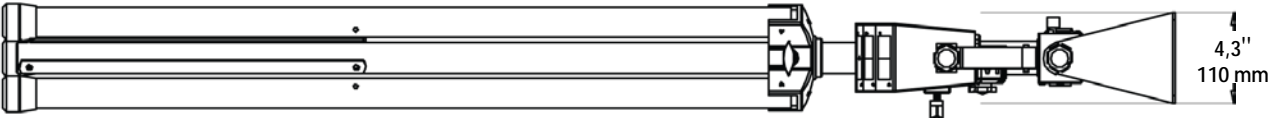
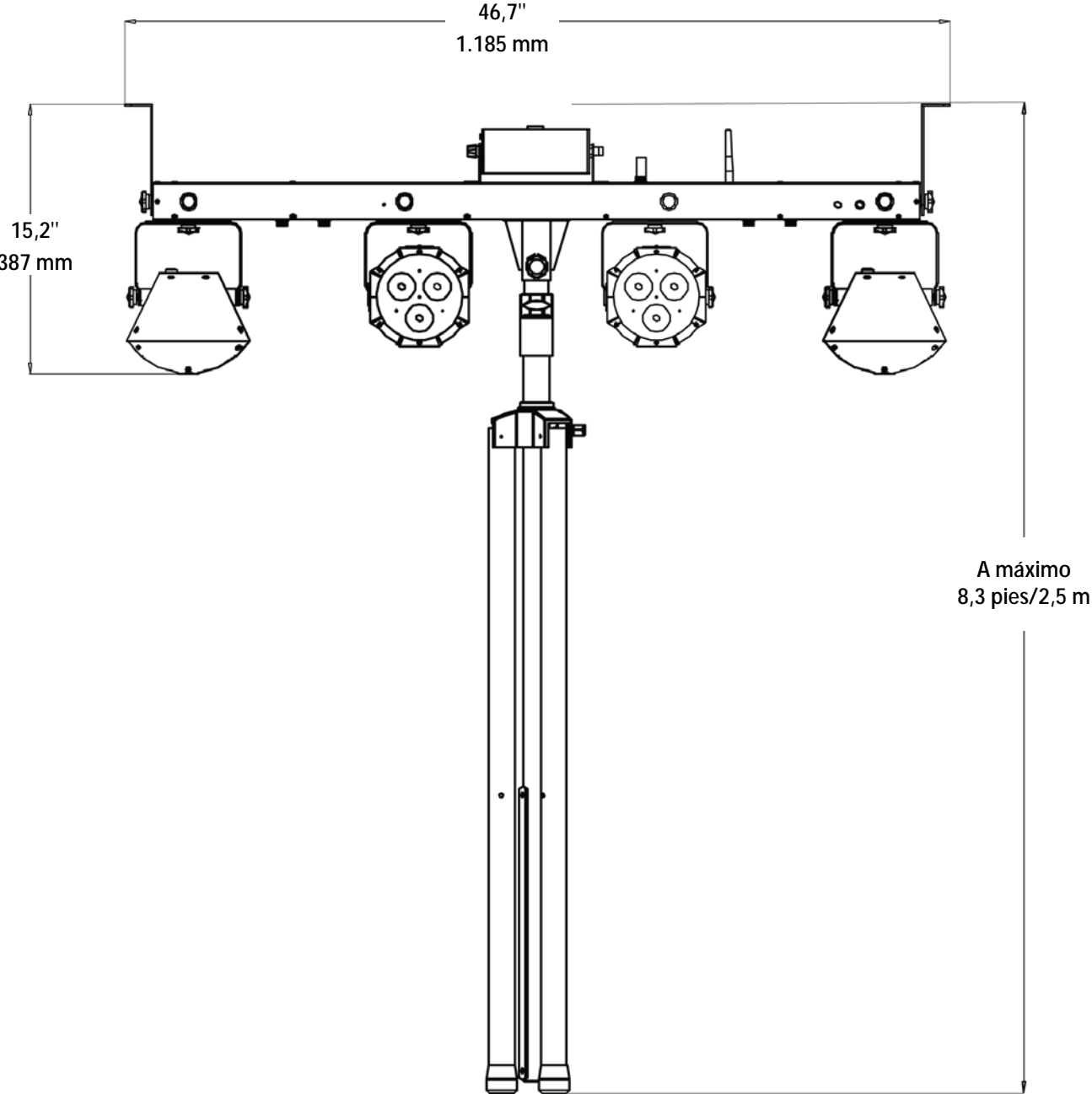


Vista de la Parte Inferior del Panel



Vista Frontal

Dimensiones



3. CONFIGURACIÓN

Corriente Alterna El GigBAR™ IRC tiene una fuente de alimentación con detección automática que puede funcionar con un rango de tensión de entrada de 100 a 240 VCA, 50/60 Hz.

Para determinar los requerimientos de alimentación (disyuntor, toma de alimentación y cableado), use el valor de tensión que aparece en la etiqueta fijada en el panel trasero del producto o consulte las [Especificaciones Técnicas](#) de este manual. La especificación de corriente listada indica el consumo de corriente promedio en condiciones normales.



Conecte siempre el producto a un circuito protegido (disyuntor o fusible). Asegúrese de que el producto tiene una toma de tierra adecuada para evitar el riesgo de electrocución o incendio.



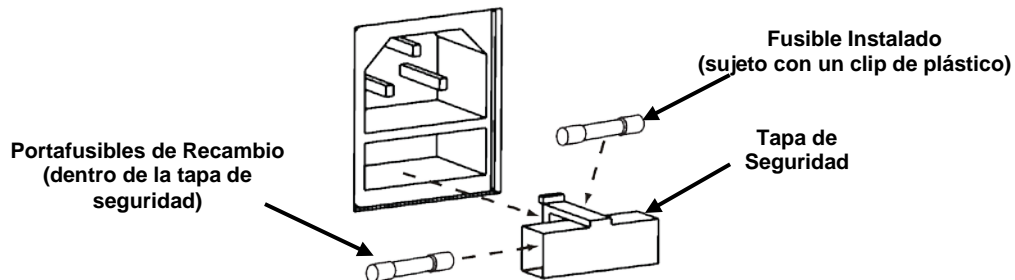
Nunca conecte el producto a un reostato (resistor variable) o circuito de atenuación, incluso si el canal del reostato o atenuador sirve solo como conmutador 0 a 100%.

Sustitución del Fusible

1. Desconecte el producto de la alimentación.
2. Haga cuña con la punta de un destornillador plano en la ranura del portafusibles.
3. Saque el portafusibles de la carcasa.
4. Quite el fusible fundido del soporte.
5. Sustitúyalo con un fusible del mismo tipo y categoría exactamente.
6. Vuelva a colocar el portafusibles en su sitio y conecte de nuevo la alimentación.



Desconecte el producto de la alimentación antes de sustituir el fusible.



El producto no se entrega con un fusible de repuesto; sin embargo, la tapa de seguridad tiene sitio para un repuesto.



Sustituya siempre el fusible fundido con uno del mismo tipo y categoría.

Conector de Enclavamiento

Este producto tiene un jack para un interruptor de enclavamiento remoto que apagará la salida del láser en caso de emergencia. Puede utilizar el conector de enclavamiento remoto suministrado para construir su propio interruptor de enclavamiento.

Alimentación en Cadena

Alimentación en cadena es cuando los productos se conectan en cadena por las tomas de entrada y salida de alimentación, permitiendo la alimentación de muchos productos con un solo enchufe.

Se pueden alimentar en cadena hasta 29 productos GigBAR™ IRC a 230 V.

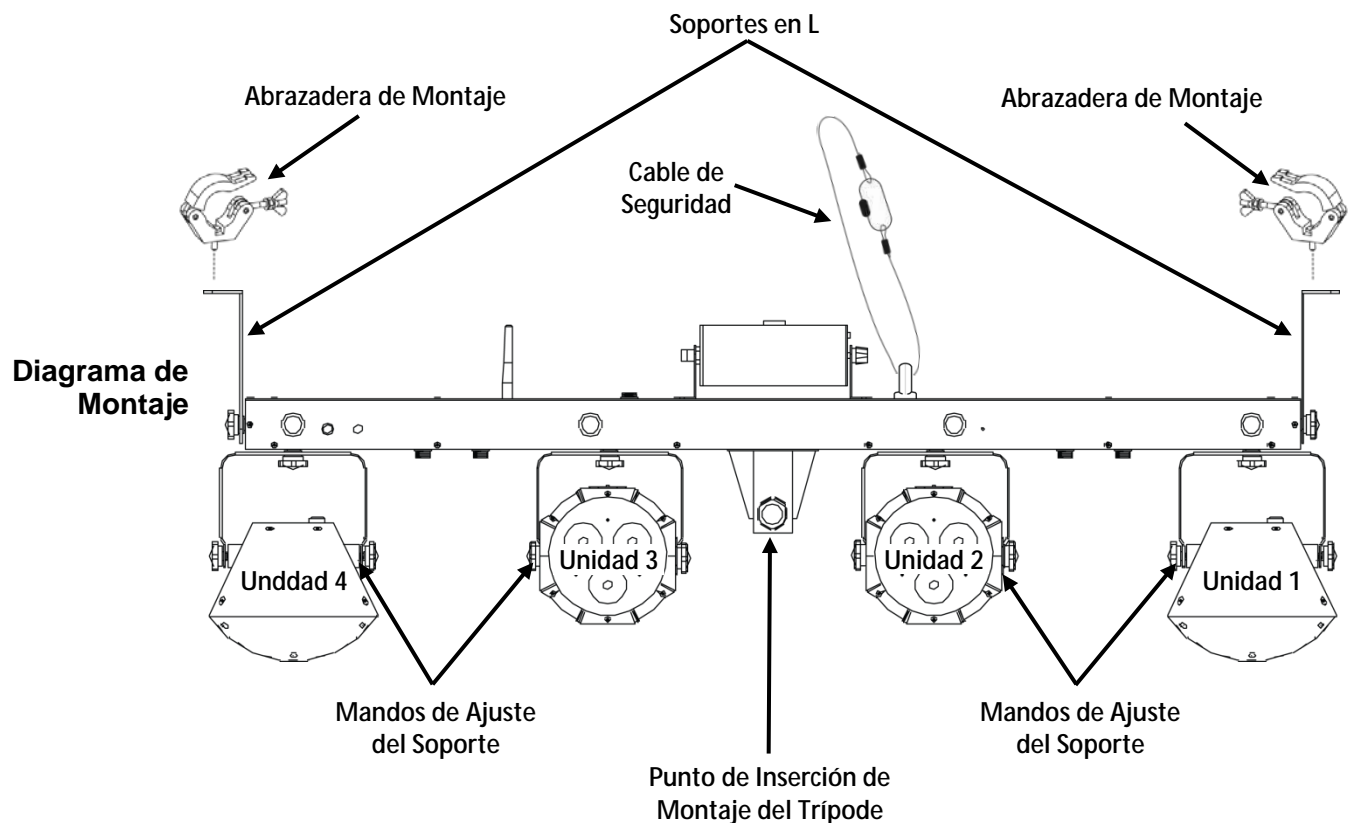


No alimente en cadena más de 29 GigBAR™ IRC a 230 V.

Montaje Antes de montar el producto, lea y siga las recomendaciones de seguridad indicadas en las [Notas de Seguridad](#).

Orientación El GigBAR™ IRC se debe montar en un posición preparada para el uso seguro de láser. Además, asegúrese de proporcionar una ventilación adecuada alrededor del producto.

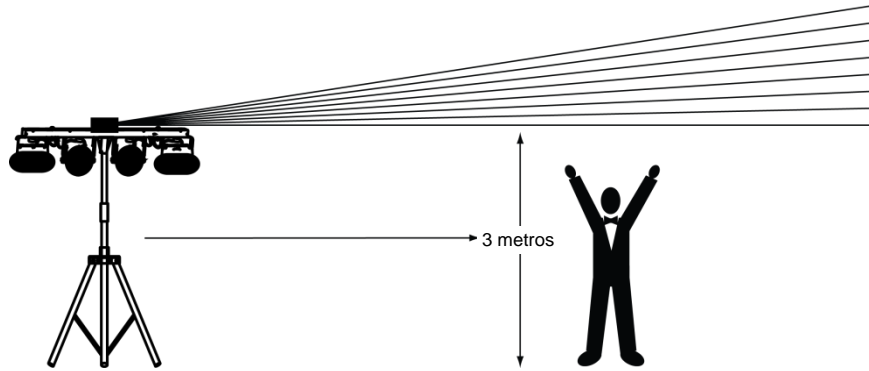
- Colocación**
- Antes de decidir una ubicación para el producto, asegúrese siempre de que hay fácil acceso al producto para su mantenimiento y programación.
 - Asegúrese de que la estructura o superficie sobre la que está montando el producto puede soportar su peso (vea las [Especificaciones Técnicas](#)).
 - Cuando monte el producto en altura, use siempre un cable de seguridad (como el **CH-05** de Chauvet). Monte el producto con seguridad a un punto de anclaje, como una plataforma elevada o un truss.
 - Los mandos de ajuste del soporte permiten el ajuste direccional para dirigir el producto hacia el ángulo deseado. Apriete y afloje los mandos de soporte únicamente con la mano. Usar herramientas podría estropear los mandos.
 - Cuando lo monte en el trípode, asegúrese de que el soporte está adecuadamente apretado y nivelado.



Uso Adecuado

Este producto es para montaje en alto solamente. Por seguridad, Chauvet recomienda montar los productos de efectos de iluminación sobre plataformas estables y elevadas, o en soportes en alto sólidos utilizando abrazaderas apropiadas para colgar. En todos los casos, utilice cables de seguridad. Obtenga el material de fijación apropiado de su proveedor de iluminación.

Las disposiciones internacionales de seguridad láser precisan que los productos de láser se manejen de la forma mostrada a continuación, con una separación vertical mínima de 3 metros (9,8 pies) entre el suelo y la luz láser más baja. Además, se requiere una separación horizontal de 3 metros entre la luz láser y los espectadores u otros espacios públicos.



¡CUIDADO! El uso de controles, ajustes o procedimientos distintos a ESTOS que se especifican EN ESTE MANUAL DE USUARIO pueden causar exposición peligrosa a la radiación.



- Es requisito de Chauvet colocar sacos de arena en la base del pie para aumentar la estabilidad.
- **IMPORTANTE: NO** sobrepase el punto marcado como tope del mástil.



- **NO** apriete en exceso la barra del foco, ya que esto podría dañar el soporte.
- **NO** use este soporte de ninguna forma que no esté prevista.

Enclavamiento e Interruptor de Llave

Este producto tiene un enclavamiento e interruptor de llave que evita que el láser se ponga en funcionamiento a menos que el interruptor y la llave sean ambos introducidas, y la llave sea girada hasta la posición de ON.

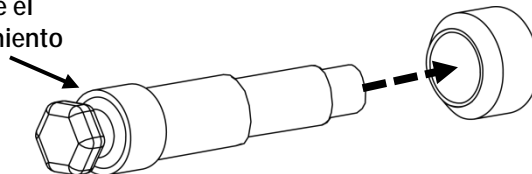
Para que el láser funcione, debe insertar **TANTO**:

- el enclavamiento
- la llave y gire la llave a la posición ON

De lo contrario, si ambos no se llevan a cabo, el láser no se enciende.



Inserte el Enclavamiento



Inserte la Llave y Gire la a la Posición ON



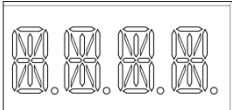
Gire siempre la llave de enclavamiento hasta la posición de OFF y extráigala cuando deje este producto sin vigilancia, para evitar accidentes o lesiones a terceros.

4. FUNCIONAMIENTO

Este producto no está diseñado para un uso continuo. Asegúrese de que hace descansos regulares durante su funcionamiento para maximizar la vida de su láser. Desconecte siempre el GigBAR™ IRC de la alimentación cuando no lo use.

Funcionamiento del Panel de Control

Para acceder a las funciones del panel de control, use los cuatro botones ubicados bajo la pantalla. Cuando el producto esté encendido, el monitor LED del panel posterior mostrará el modo de funcionamiento actual (independiente o DMX). El producto mantendrá la configuración guardada cuando se apagó la última vez.



Botón	Función
<MENU>	Selecciona un modo de funcionamiento o regresa a la opción de menú actual
<UP>	Se desplaza hacia arriba por la lista de opciones o selecciona un valor más alto
<DOWN>	Se desplaza hacia abajo por la lista de opciones o selecciona un valor inferior
<ENTER>	Activa una opción de menú o valor seleccionado

Mapa de Menú

Modo	Niveles de Programación		Descripción
Efecto mezclado AUTO	AM**	AM01–AM02	Selecciona el show del efecto mezclado automático
		F 01–F 99	Selecciona la velocidad del efecto mezclado automático
Efecto mezclado SONIDO	SM**	SM01–SM02	Selecciona el show del efecto mezclado de sonido
		F 01–F 99	Selecciona la velocidad del efecto mezclado de sonido
Configuración de SHOW	SHOW		Después del pulsar <ENTER>, selecciona las distintas configuraciones del show, en las que se puede escoger el show de efectos de estilos mezclados o efectos solo de foco.
Efecto foco automático	AP**	AP01– AP07	Selecciona el show del foco
		F 01–F 99	Selecciona la velocidad del show del foco
Efecto kinta automático	AK01	AK01	Selecciona el show del kinta automático
		F 01–F 99	Selecciona la velocidad del kinta automático
Efecto láser automático	AL01	AL01	Selecciona el show del láser automático
		F 01–F 99	Selecciona la velocidad del show de láser automático
Efecto estroboscopia automático	AS**	AS01–AS09	Selecciona los shows de estroboscopia automático
		F 01–F 99	Selecciona la velocidad del show de estroboscopia automático
Foco + kinta automático	APK1	APK1	Selecciona el show automático de foco y kinta
		F 01–F 99	Selecciona la velocidad del show automático de foco y kinta
Foco + láser automático	APL1	APL1	Selecciona el show automático de foco y láser
		F 01–F 99	Selecciona la velocidad del show automático de foco y láser
Foco + estroboscopia automático	APS1	APS1	Selecciona el show automático de foco y estroboscopia
		F 01–F 99	Selecciona la velocidad del show automático de foco y estroboscopia

Kinta + láser automático	AKL1	AKL1	Selecciona el show automático de kinta y láser	
		F 01–F 99	Selecciona la velocidad del show automático de kinta y láser	
Kinta + estroboscopio automático	AKS1	AKS1	Selecciona el show automático de kinta y estroboscopio	
		F 01–F 99	Selecciona la velocidad del show automático de kinta y estroboscopio	
Foco + kinta + láser	APKL	APKL	Selecciona el show de foco, kinta y láser	
		F 01–F 99	Selecciona la velocidad del show de foco, kinta y láser	
Foco + kinta + estroboscopio	APKS	APKS	Selecciona el show de foco, kinta y estroboscopio	
		F 01–F 99	Selecciona la velocidad del show de foco, kinta y estroboscopio	
Foco + láser + estroboscopio	APLS	APLS	Selecciona el show de foco, láser y estroboscopio	
		F 01–F 99	Selecciona la velocidad del show de foco, láser y estroboscopio	
Kinta + láser + estroboscopio	AKLS	AKLS	Selecciona el show de kinta, láser y estroboscopio	
		F 01–F 99	Selecciona la velocidad del show de kinta, láser y estroboscopio	
Efecto foco por sonido	SP**	SP01–SP07	Configura focos en modo Sonido	
Efecto kinta por sonido		SK01	Configura los kintas en modo Sonido	
Efecto láser por sonido		SL01	Configura el láser en modo Sonido	
Efecto estroboscopio por sonido	SS**	SS01–SS10	Configura los estroboscopios en modo Sonido y selecciona la velocidad del efecto	
Foco + kinta por sonido		SPK1	Configura focos y kintas en modo Sonido	
Foco + láser por sonido		SPL1	Configura focos y láser en modo Sonido	
Foco + estroboscopio por sonido		SPS1	Configura focos y estroboscopios en modo Sonido	
Kinta + láser por sonido		SKL1	Configura kintas y estroboscopios en modo Sonido	
Kinta + estroboscopio por sonido		SKS1	Configura kintas y estroboscopios en modo Sonido	
Foco + kinta + láser		SPKL	Configura focos, kintas y láser en modo Sonido	
Foco + kinta + estroboscopio		SPKS	Configura focos, kintas y estroboscopios en modo Sonido	
Foco + láser + estroboscopio		SPLS	Configura focos, láser y estroboscopios en modo Sonido	
Kinta + láser + estroboscopio		SKLS	Configura kintas, láser y estroboscopios en modo Sonido	
Configuración de COLOR General	CoLo	R**	R000–R255	Configura los valores de rojo de foco y kinta
		G**	G000–G255	Configura los valores de verde de foco y kinta
		B**	B000–B255	Configura los valores de azul de foco y kinta

Configuración de modo DMX	D**	3 CH		Selecciona la personalidad DMX	
		8 CH			
		19CH			
Dirección DMX	d001–d512			Configura la dirección de inicio DMX; el rango DMX queda restringido por el número de canales del modo DMX seleccionado	
Configuración Maestro/Esclavo	Slav			Configura en modo Esclavo	
Opciones de Sistema	Sys	dSET	1234	Cambia la disposición de las unidades	
		rSEt		Reinicia a la configuración de fábrica	
		WiFi	on		Apaga/enciende la antena Wi-Fi™ para el conmutador de pie inalámbrico
			off		

Configuración (Independiente)

Configure el producto en uno de los modos independientes para controlarlo sin controlador DMX. Conecte el producto a una toma de corriente adecuada.



Nunca conecte un producto que está funcionando en cualquier modo Independiente (Automático o Activo por sonido) a una línea DMX conectada a un controlador DMX. Los productos en modo Independiente pueden transmitir señales DMX que podrían interferir con las señales DMX del controlador.

Modo Efecto Mezclado de Sonido Activo por Sonido

Para habilitar el modo de efecto mezclado de sonido (todo Activo por sonido), haga lo siguiente:

1. Pulse <MENU> repetidamente hasta que **SM**** parpadee en la pantalla.
2. Pulse <ENTER>.
3. Utilice <UP> o <DOWN> para seleccionar el modo Activo por sonido deseado (**SM01** o **SM02**).
4. Pulse <ENTER> para poner el dispositivo en el modo Activo por sonido seleccionado. Encienda la música y ajuste el mando de sensibilidad al sonido hasta que el producto empiece a responder al ritmo de la música.



- **El producto solo responderá a bajas frecuencias en la música (graves y percusión).**
- **El láser se quedará en blackout (oscuridad total) en modo Activo por sonido tras 3 segundos de silencio o sonido por debajo del nivel de sensibilidad.**

Modo Efecto Mezclado Automático

Para habilitar el modo efecto mezclado automático (todo Automático), siga las instrucciones siguientes:

1. Pulse <MENU> repetidamente hasta que **AM**** parpadee en la pantalla.
2. Pulse <ENTER>.
3. Utilice <UP> o <DOWN> para seleccionar el modo Automático deseado (**AM01** o **AM02**).
4. Pulse <ENTER>.
5. Utilice <UP> o <DOWN> para ajustar la velocidad del modo, **F 01** (rápido) a **F 99** (lento).
6. Pulse <ENTER>.

Configuración del Show

Para escoger los shows de efecto de estilo mezclado o efectos solo de foco, siga las instrucciones que siguen y consulte el [Mapa de Menú](#) para ver los pasos de programación:

1. Pulse <MENU> repetidamente hasta que **SHOW** parpadee en la pantalla.
2. Pulse <ENTER> para el siguiente nivel de programación.
3. Utilice <UP> o <DOWN> para desplazarse por las distintas opciones individuales del show Automático o Sonido.
4. Pulse <ENTER> para poner el dispositivo en el modo seleccionado.
5. Utilice <UP> o <DOWN> para ajustar la velocidad del modo, **F 01** (rápido) a **F 99** (lento).
6. Pulse <ENTER>.

Modo Maestro/Esclavo

El modo Maestro/Esclavo permite que un solo producto GigBAR™ IRC (el maestro), controle las acciones de uno o más productos GigBAR™ IRC (los esclavos) sin necesidad de un controlador DMX. El maestro se configurará para funcionar bien en modo Automático bien en modo Activo por Sonido, mientras que los esclavos se configurarán para funcionar en modo Esclavo. Una vez configuradas y conectadas, las unidades esclavo funcionarán al unísono con su maestro. Configure los productos como se indica a continuación.

Para cada esclavo:

1. Pulse **<MENU>** repetidamente hasta que **Slav** parpadee en la pantalla.
2. Pulse **<ENTER>** para poner el dispositivo en modo Esclavo. La pantalla continuará parpadeando.
3. Repita los pasos 1 y 2 para cada esclavo.
4. Conecte la salida DMX de la primera unidad esclavo a la entrada DMX de la siguiente unidad esclavo.
5. Conecte la entrada DMX de las siguientes unidades esclavo a la salida DMX de la unidad esclavo precedente.



- **Configure todas las unidades esclavo antes de conectar la unidad maestro a la cadena DMX.**
- **La pantalla de los esclavos continuará parpadeando hasta que los esclavos reciban una señal DMX del maestro.**

Para el maestro:

1. Conecte la salida DMX del maestro a la entrada DMX de la primera unidad esclavo.
2. Configure la unidad maestro para funcionar en modo Automático o Activo por Sonido



- **Asegúrese de que la unidad maestro es la primera unidad de la cadena DMX.**
- **Nunca conecte un controlador DMX a una cadena DMX configurada para funcionamiento Maestro/Esclavo, porque el controlador puede interferir con las señales del maestro.**
- **No conecte más de 31 esclavos al maestro.**

Configuración (DMX)

Configure el producto en modo DMX para controlarlo con un controlador DMX. El producto usa un cable DMX de 3 pines.

1. Conecte el producto a una toma de corriente adecuada.
2. Conecte un cable DMX de la salida DMX del controlador DMX al conector de entrada DMX del producto.

Personalidad DMX y Dirección de Inicio

Cuando seleccione una dirección DMX de inicio, tenga en cuenta siempre el número de canales DMX que usa el dispositivo. Si escoge una dirección de inicio que es demasiado alta, podría estar restringiendo el acceso a alguno de los canales del producto.

El GigBAR™ IRC usa personalidades de 3, 8 y 19 canales DMX, lo que significa que la dirección DMX más alta que puede emplear es **494**.

Si no está familiarizado con el protocolo DMX, descargue el Manual DMX de http://www.chauvetlighting.com/downloads/DMX_Primer_Rev6_WO.pdf.

Para seleccionar la personalidad DMX y la dirección DMX de inicio, haga lo siguiente:

1. Pulse **<MENU>** repetidamente hasta que la personalidad DMX deseada (**3 CH**, **8 CH** o **19CH**) parpadee en la pantalla.
2. Pulse **<ENTER>** y **D**** parpadea en la pantalla.
3. Utilice **<UP>** o **<DOWN>** para seleccionar dirección de inicio (**d001–d512**).
4. Pulse **<ENTER>** para poner el dispositivo en modo DMX. La pantalla continuará parpadeando.

Ajuste de Color Personalizado

Para configurar el foco y el kinta con un color personalizado, haga lo siguiente:

1. Pulse **<MENU>** repetidamente hasta que **CoLo** parpadee en la pantalla.
2. Pulse **<ENTER>**.
3. Utilice **<UP>** o **<DOWN>** para desplazarse hasta **R**** (rojo), **G**** (verde) o **B**** (azul).
4. Pulse **<ENTER>** para seleccionar el color.
5. Utilice **<UP>** o **<DOWN>** para ajustar la saturación de color (**X000–X255**).
6. Pulse **<ENTER>**.
7. Repita los pasos 3 al 5 para cada color.

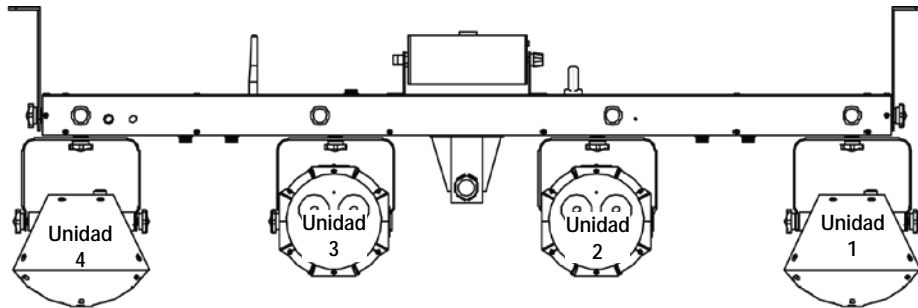
Configuración de Sistema

Para restaurar la configuración a los valores originales de fábrica o para hacer cambios en la configuración individual de las unidades, siga las siguientes indicaciones:

1. Pulse **<MENU>** repetidamente hasta que **SyS** parpadee en la pantalla.
2. Pulse **<ENTER>**.
3. Utilice **<UP>** o **<DOWN>** para seleccionar **rSEt** (predeterminado de fábrica) o **dSEt** (cambia la disposición de la unidad).
4. Pulse **<ENTER>** para seleccionar la configuración de sistema deseada.

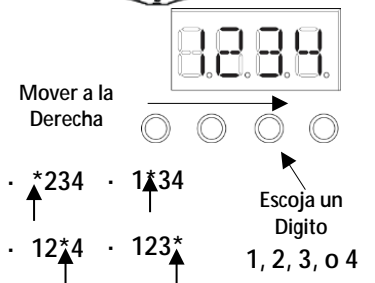
Si se selecciona **rSEt**, el GigBAR™ IRC vuelve a los valores predeterminados de fábrica.

Disposición de las Unidades por Defecto

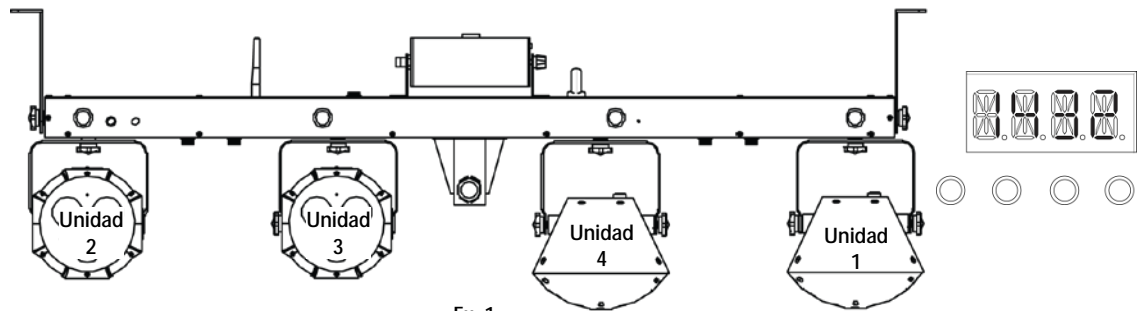


Si selecciona **dSet**, cambie el orden de las unidades usando los pasos y ejemplos de más abajo para colocar las unidades:

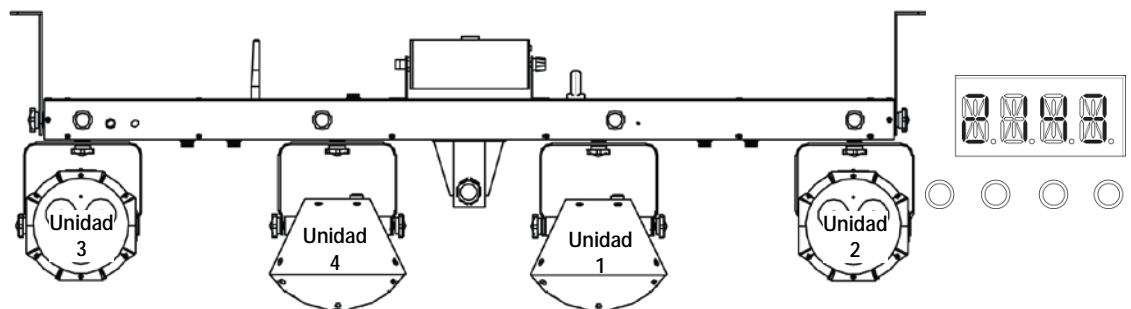
- Utilice **<UP>** para moverse a la derecha por la pantalla.
- Utilice **<DOWN>** para cambiar el valor del dígito (1, 2, 3 o 4).
- Pulse **<ENTER>** para confirmar.
- Repita hasta que las 4 unidades estén colocadas a su gusto.



Ejemplos de Recolocación del Orden de las Unidades



Ex. 1



Ex. 2

Asignaciones de Canal y Valores DMX

19CH	Canal	Función	Valor	Configuración
	1	Control del Foco 1	000 ó 255	Rojo 0–100%
	2		000 ó 255	Verde 0–100%
	3		000 ó 255	Azul 0–100%
	4		000 ó 127	RGB, basado en los canales 1, 2 y 3
			128 ó 239	Velocidad de estroboscopio, lento a rápido
			240 ó 249	Estroboscopio por sonido
			250 ó 255	RGB 100%
	5	Control del Foco 2	000 ó 255	Rojo 0–100%
	6		000 ó 255	Verde 0–100%
	7		000 ó 255	Azul 0–100%
	8		000 ó 127	RGB, basado en los canales 5, 6 y 7
			128 ó 239	Velocidad de estroboscopio, lento a rápido
			240 ó 249	Estroboscopio por sonido
			250 ó 255	RGB 100%
	9	Control del Kinta 1	000 ó 024	Blackout
			025 ó 049	Rojo
			050 ó 074	Verde
			075 ó 099	Azul
			100 ó 124	Rojo + Verde
			125 ó 149	Rojo + Azul
			150 ó 174	Verde + Azul
			175 ó 199	Rojo + Verde + Azul
			200 ó 224	Automático (colores individuales)
			225 ó 255	Automático (dos colores a la vez)
	10	Frecuencia de Estroboscopio del Kinta 1	000 ó 009	Sin función
			010 ó 239	Estroboscopio, 0–30 Hz
			240 ó 255	Estroboscopio por sonido
	11	Rotación del Kinta 1	000 ó 004	Parada
			005 ó 127	Giro en sentido horario, lento a rápido
			128 ó 133	Parada
			134 ó 255	Rotar en sentido antihorario, lento a rápido

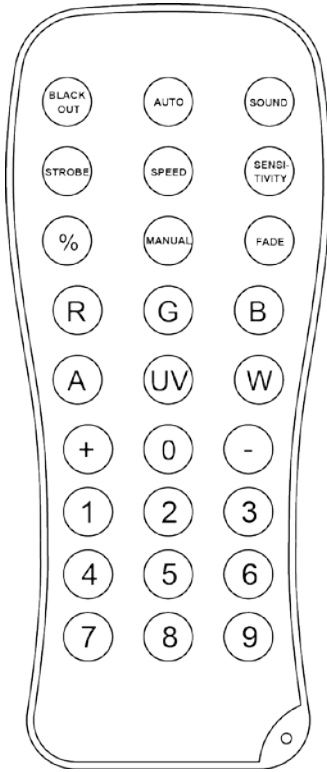
19CH	Canal	Función	Valor	Configuración
12	Control del Kinta 2	000 ó 024	Blackout	
		025 ó 049	Rojo	
		050 ó 074	Verde	
		075 ó 099	Azul	
		100 ó 124	Rojo + Verde	
		125 ó 149	Rojo + Azul	
		150 ó 174	Verde + Azul	
		175 ó 199	Rojo + Verde + Azul	
		200 ó 224	Automático (colores individuales)	
		225 ó 255	Automático (dos colores a la vez)	
13	Frecuencia de Estroboscopia del Kinta 2	000 ó 009	Sin función	
		010 ó 239	Estroboscopia, 0–30 Hz	
		240 ó 255	Estroboscopia por sonido	
14	Rotación del Kinta 2	000 ó 004	Parada	
		005 ó 127	Giro sentido horario	
		128 ó 133	Parada	
		134 ó 255	Giro sentido antihorario	
15	Estroboscopia Láser	000 ó 009	Sin función	
		010 ó 239	Estroboscopia, lento a rápido	
		240 ó 255	Estroboscopia por sonido	
16	Patrón Láser	000 ó 004	Parada	
		005 ó 127	Giro sentido horario	
		128 ó 133	Parada	
		134 ó 255	Giro sentido antihorario	
17	Patrones Estroboscopia	000 ó 009	Blackout	
		010 ó 029	Programa automático 1	
		030 ó 049	Programa automático 2	
		050 ó 069	Programa automático 3	
		070 ó 089	Programa automático 4	
		090 ó 109	Programa automático 5	
		110 ó 129	Programa automático 6	
		130 ó 149	Programa automático 7	
		150 ó 169	Programa automático 8	
		170 ó 189	Programa automático 9	
		190 ó 209	Estroboscopia, lento a rápido	
210 ó 255	Estroboscopia por sonido			
18	Atenuador del Estroboscopia	000 ó 255	0–100%	
19	Velocidad del Estroboscopia	000 ó 255	Lento a rápido	

8 CH	Canal	Función	Valor	Configuración
	1	Color de Focos y Kintas	000 ó 255	Rojo 0–100%
	2	Color de Focos y kintas	000 ó 255	Verde 0–100%
	3	Color de Focos y Kintas	000 ó 255	Azul 0–100%
	4	Controles de Estroboscopio de Focos y Kintas	000 ó 127	Todo 0–100%
			128 ó 239	Velocidad del estroboscopio
			240 ó 249	Estoboscopio por sonido
			250 ó 255	Todo Encendido
	5	Rotación del Motor del los Kintas	000 ó 004	Parada
			005 ó 127	Giro en sentido horario, lento a rápido
			128 ó 133	Parada
			134 ó 255	Giro en sentido antihorario, lento a rápido
	6	Controles del Láser Verde	000 ó 004	Láser verde en blackout (oscuridad)
			005 ó 054	Láser verde encendido
			055 ó 255	Velocidad del estroboscopio láser verde, lento a rápido
	7	Velocidad del Movimiento del Láser	000 ó 004	Sin movimiento
			005 ó 127	Rotación en sentido horario, lento a rápido
			128 ó 133	Parada del movimiento
			134 ó 255	Rotación en el sentido anti-horario, lento a rápido
	8	Velocidad del Estroboscopio	000 ó 054	Atenuador de estroboscopio blanco, 0–100%
			055 ó 255	Velocidad de estroboscopio, lento a rápido

3 CH	Canal	Función	Valor	Configuración
1		Funcionamiento LED	000 ó 009	Sin función
			010 ó 229	Modo mezclado automático, rápido a lento
			230 ó 239	Modo mezclado por sonido
			240 ó 255	Configuración del show cuando los canales 2 y 3 están activados
2		Funcionamiento	000 ó 009	Blackout
			010 ó 019	SOLO focos encendidos, haciendo todos show de foco único
			020 ó 029	SOLO kintas encendidos
			030 ó 039	SOLO láser encendido
			040 ó 049	SOLO estroboscopios encendidos, haciendo todos show de estroboscopia único
			050 ó 059	SOLO focos y kintas automático
			060 ó 069	SOLO focos y láser automático
			070 ó 079	SOLO focos y estroboscopios automático
			080 ó 089	SOLO kintas y láser automático
			090 ó 099	SOLO estroboscopios y kintas automático
			100 ó 109	Focos, kintas y láser
			110 ó 119	Focos, kintas y estroboscopios
			120 ó 129	Focos, láser y estroboscopios
			130 ó 139	Kintas, láser y estroboscopios
			140 ó 149	Efecto de foco por sonido
			150 ó 159	Efecto de kinta por sonido
			160 ó 169	Efecto de láser por sonido
			170 ó 179	Efecto de estroboscopia por sonido
			180 ó 189	Focos + kintas por sonido
			190 ó 199	Focos + láser por sonido
200 ó 209	Focos + estroboscopios por sonido			
210 ó 219	Kintas + láser por sonido			
220 ó 229	Kintas + estroboscopios por sonido			
230 ó 239	Focos, kintas y laser por sonido			
240 ó 244	Focos, kinta y estroboscopios por sonido			
245 ó 249	Focos, láser y estroboscopios por sonido			
250 ó 255	Kintas, láser y estroboscopios por sonido			
3		Velocidad Automática	000 ó 255	Velocidad, cuando el canal 2 está en 050-099

Funcionamiento del IRC-6 (Control Remoto por Infrarrojos 6)

Nota: Asegúrese de no apuntar con el IRC-6 directamente al receptor del producto.



Modo Automático

El modo Automático le permitirá ejecutar programas automáticos en el producto.

Para activar el modo Automático:

- Pulse y mantenga pulsado **<AUTO>** en el IRC-6.
- Pulse cualquier número entre **<0>** y **<9>** para escoger su programa automático.
 - **<0>** Todo encendido
 - **<1>** AP01
 - **<2>** AP02
 - **<3>** AK01
 - **<4>** AL01
 - **<5>** APK1
 - **<6>** APL1
 - **<7>** AKL1
 - **<8>** APKL
 - **<9>** AKLS
- Pulse **<+>** o **<->** para aumentar o reducir la velocidad del programa.

Modo Activo por Sonido

El modo Activo por sonido posibilitará que el producto responda a la música.

Para activar el modo Activo por sonido:

- Pulse y mantenga pulsado **<SOUND>** en el IRC-6.
- Pulse cualquier número entre **<0>** y **<9>** para escoger su programa automático.
 - **<0>** Todo encendido
 - **<1>** SP01
 - **<2>** SP02
 - **<3>** SK01
 - **<4>** SL01
 - **<5>** SPK1
 - **<6>** SPL1
 - **<7>** SKL1
 - **<8>** SPKL
 - **<9>** SKLS

Modos de Estroboscopio

Para ajustar el programa y frecuencia de estroboscopio:

- Pulse y mantenga pulsado **<STROBE>** en el IRC-6.
- Pulse **<0>** para Todo en estroboscopio o cualquier número entre **<1>** y **<9>** para escoger su programa automático.
- Pulse **<+>** o **<->** para aumentar o reducir la frecuencia de estroboscopio.
- Pulse **<STROBE>** de nuevo para desactivar el estroboscopio.

Otras operaciones

Para ajustar la frecuencia de fade en la emisión de color del foco y kinta:

- Pulse y mantenga pulsado **<FADE>** en el IRC-6.
- Pulse **<+>** o **<->** para aumentar o reducir la frecuencia de fade.

Para ajustar el brillo del color o estroboscopio:

- Pulse **<%>** en el IRC-6.

1 x Pulsación	2 x Pulsación	3 x Pulsación	4 x Pulsación	5 x Pulsación
100%	75%	50%	25%	0%

Para apagar las luces:

- Pulse **<BLACK OUT>** en el IRC-6. Esto apagará todas las luces hasta que vuelva a pulsar el botón de nuevo.

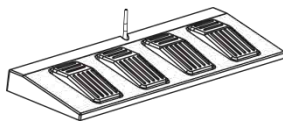
Nota: El IRC-6 no responderá a ninguna acción cuando esté activado el Blackout. Si el mando no responde cuando se pulsa un botón, inténtelo pulsando **<BLACK OUT>**. Usted puede haber activado Blackout involuntariamente.

Funcionamiento del Conmutador de Pie

El conmutador de pie inalámbrico incluido proporciona acceso rápido a los colores preconfigurados, a los programas de cambio de color y a la activación por sonido a través del micrófono del GigBAR™ IRC.

Para usar el conmutador de pie:

1. Conecte el GigBAR™ IRC a la alimentación.
2. Levante las antenas situadas sobre el GigBAR™ IRC y el conmutador de pie.
3. Pulse el pedal núm. 1 (Auto) para activar los controles del programa Automático. Cuando esté funcionando, todas las luces empezarán en modo Automático (**AM01**).
4. Utilice la tabla inferior para activar la función deseada.



Pedal	Subopción	Función	
1 (Auto)	1 x pulsación	Focos, kintas, láser y estroboscopio en modo Automático (AM01)	
	2 x pulsaciones	AP01	
	3 x pulsaciones	AP02	
	4 x pulsaciones	AK01	
	5 x pulsaciones	AL01	
	6 x pulsaciones	APK1	
	7 x pulsaciones	APL1	
	8 x pulsaciones	AKL1	
	9 x pulsaciones	APKL	
	10 x pulsaciones	AKLS	
		Consulte el Mapa de Menú para la descripción	
2 (Sonido)	1 x pulsación	Focos, kintas, láser y estroboscopio en modo Sonido (SM01)	
	2 x pulsaciones	SP01	
	3 x pulsaciones	SP02	
	4 x pulsaciones	SK01	
	5 x pulsaciones	SL01	
	6 x pulsaciones	SPK1	
	7 x pulsaciones	SPL1	
	8 x pulsaciones	SKL1	
	9 x pulsaciones	SPKL	
	10 x pulsaciones	SKLS	
		Consulte el Mapa de Menú para la descripción	
3 (Color)	1 x pulsación	Rojo sin láser, sin estroboscopio	
	2 x pulsaciones	Verde sin láser, sin estroboscopio	
	3 x pulsaciones	Azul sin láser, sin estroboscopio	
	4 x pulsaciones	Amarillo sin láser, sin estroboscopio	
	5 x pulsaciones	Cian sin láser, sin estroboscopio	
	6 x pulsaciones	Rosa sin láser, sin estroboscopio	
	7 x pulsaciones	Blanco sin láser, sin estroboscopio	
	8 x pulsaciones	Rojo con láser, sin estroboscopio	
	9 x pulsaciones	Verde con láser, sin estroboscopio	
	10 x pulsaciones	Azul con láser, sin estroboscopio	
	11 x pulsaciones	Amarillo con láser, sin estroboscopio	
	12 x pulsaciones	Cian con láser, sin estroboscopio	
	13 x pulsaciones	Rosa con láser, sin estroboscopio	
	14 x pulsaciones	Blanco con láser, sin estroboscopio	
4 (Blackout)	N/A	Apaga inmediatamente todos los dispositivos de luz	



El conmutador de pie del GigBAR™ IRC funcionará adecuadamente en cualquier modo, con una distancia máxima sin obstáculos de 100 ft (30,5 m). Debe encender la Wi-Fi™ en el GigBAR™ IRC antes de usar el conmutador de pie.

5. INFORMACIÓN TÉCNICA

Mantenimiento del Producto

El polvo acumulado reduce el rendimiento de la salida de luz y puede provocar sobrecalentamiento. Para mantener un rendimiento óptimo, limpie el producto al menos dos veces al mes. Sin embargo, el uso y las condiciones ambientales influyen para un aumento de la frecuencia de limpieza.

Para limpiar el producto, siga las instrucciones siguientes:

1. Desenchufe el producto de la alimentación.
2. Espere a que el producto esté a temperatura ambiente.
3. Use un aspirador (o aire seco comprimido) y un cepillo suave para quitar el polvo depositado en las superficies externas y los orificios de aireación de los ventiladores.
4. Limpie el panel transparente (apertura del láser) con una solución suave de limpiador de cristales sin amoníaco o con alcohol isopropílico.
5. Aplique la solución directamente sobre un paño suave que no deje pelusa o un paño de limpiar lentes.
6. Con suavidad, quite todo el polvo o suciedad de los bordes externos del cristal.
7. Frote suavemente la superficie transparente hasta que no quede turbiedad ni pelusas.



Seque siempre con cuidado las superficies ópticas después de limpiarlas.



No gire el ventilador de refrigeración usando aire comprimido, puesto que podría estropearlo.

6. ESPECIFICACIONES TÉCNICAS

Dimensiones y Peso

GigBAR™ IRC	Longitud	Anchura	Altura	Peso
	46,7 in (1.185 mm)	4,3 in (110 mm)	15,2 in (387 mm)	14,4 lb (6,6 kg)
Trípode	Altura mín.	Altura máx.	Anchura de las patas (superficie ocupada)	Tamaño
	4,8 ft (1,5 m)	8,3 ft (2,5 m)	3,9 ft (1,2 m)	1,5 in (37,4 mm)

Note: Dimensions in inches rounded to the nearest decimal digit.

Alimentación	Tensión de entrada	Rango	Selección de tensión
	Conmutación (interna)	100–240 VCA, 50/60 Hz	Detección automática (autorango)
	Parámetro	230 V, 50 Hz	
	Consumo	43 W	
	Corriente de funcionamiento	1 A	
	Intensidad de alimentación en cadena (unidades)	10,4 A (29 unidades)	
	Fusible	T 1,6 A, 250 V	
	E/S alimentación	UK/Europa	
	Conector de entrada de alimentación	IEC	
	Conector de salida de alimentación	IEC	
	Enchufe de cable de alimentación	Enchufe local	

Fuente de Luz

Láser	Tipo	Alimentación	Longitud de onda
	Láser (verde)	30 mW	532 nm

LED

Kintas	Tipo	Alimentación	Duración
	LED	6 W	50.000 horas
	Color	Cantidad	Intensidad
	Rojo	2	1,7 A
	Verde	2	1,7 A
	Azul	2	1,7 A

Focos	Tipo	Alimentación	Duración
	LED	2,5 W	50.000 horas
	Color	Cantidad	Intensidad
	Tricolor RGB	6	956 mA

Estroboscopios	Tipo	Alimentación	Duración
	LED	1 W	50.000 horas
	Color	Cantidad	Intensidad
	Blanco	4	281 mA

Óptica Foto	Parámetro	Valor	
	Ángulo de cobertura (láser)	93°	
	Ángulo de cobertura (kinta):	114°	
	Ángulo del campo (estroboscopio):	18°	
	Ángulo del campo (focos):	24°	
	Ángulo del haz (estroboscopio)	8°	
	Ángulo del haz (focos):	13°	
	Frecuencia de estroboscopio	0-18 Hz	
	Iluminancia a 2 m (estroboscopio)	86 lux (por zona)	
	Iluminancia a 2 m (focos)	1.205 lux (por cabeza)	
Térmicas	Temp. externa máxima	Sistema de refrigeración	
	104 °F (40 °C)	Por ventilador y convección	
Interruptor de pie	Frecuencia de funcionamiento	Máx. distancia (sin obstáculos)	
	433 MHz	100 ft (30,5 m)	
DMX	Conectores E/S	Tipo de conector	Rango de canal
	XLR 3 pines	Conectores	3, 8 o 19
Pedidos	Nombre de producto	Código de artículo	Código UPC
	GigBAR™ IRC	10050931	781462212797



DEVOLUCIONES

En caso de que necesite asistencia o devolver un producto:

- Si se encuentra en EE. UU., póngase en contacto con la Oficina Central de Chauvet.
- Si se encuentra en México, póngase en contacto con Chauvet México.
- Si se encuentra en cualquier otro país, NO contacte con Chauvet. Contacte con su distribuidor local. Vea www.chauvetlighting.com para distribuidores fuera de EE. UU. o México.



Si se encuentra fuera de los EE. UU. o México, póngase en contacto con su distribuidor de registro y siga sus instrucciones sobre cómo devolverle a ellos los productos Chauvet. Visite nuestra web www.chauvetlighting.com para los detalles de contacto.

Llame a la oficina de Asistencia Técnica Chauvet correspondiente y pida un número de Autorización de Devolución de la mercancía (RMA) antes de enviar el producto. Esté preparado para proporcionar el número de modelo, número de serie y una breve descripción de la causa de la devolución.

Envíe la mercancía a portes pagados, en su caja original y con su embalaje y accesorios originales. Chauvet no expedirá etiquetas de devolución.

Etiquete el paquete claramente con el número de RMA. Chauvet rechazará cualquier producto devuelto sin un número de RMA.



Escriba el número de RMA en una etiqueta convenientemente adherida. NO escriba el número de RMA directamente sobre la caja.

Antes de enviar el producto, escriba claramente la siguiente información en una hoja de papel y colóquela dentro de la caja:

- Su nombre
- Su dirección
- Su número de teléfono
- Número de RMA
- Una breve descripción del problema

Asegúrese de que empaqueta el producto adecuadamente. Cualquier daño en el transporte que resulte de un empaquetado inadecuado será responsabilidad suya. Se recomienda empaquetado FedEx o de doble caja.



Chauvet se reserva el derecho de usar su propio criterio para reparar o reemplazar productos devueltos.

CONTACTO

OFICINA CENTRAL - Chauvet

Información General

Dirección: 5200 NW 108th Avenue
Sunrise, FL 33351
Voz: (954) 577-4455
Fax: (954) 929-5560
Número gratuito: (800) 762-1084

Servicio Técnico

Voz: (954) 577-4455 (Marque 4)
Fax: (954) 756-8015
Email: tech@chauvetlighting.com

World Wide Web www.chauvetlighting.com

UNITED KINGDOM AND IRELAND - Chauvet Europe Ltd.

General Information

Address: Unit 1C
Brookhill Road Industrial Estate
Pinxton, Nottingham, UK
NG16 6NT
Voice: +44 (0)1773 511115
Fax: +44 (0)1773 511110

General Information

Address: Unit 1C
Brookhill Road Industrial Estate
Pinxton, Nottingham, UK
NG16 6NT
Voice: +44 (0)1773 511115
Fax: +44 (0)1773 511110

Fuera de EE. UU., Reino Unido, Irlanda o México, póngase en contacto con su proveedor. Siga sus instrucciones para pedir soporte o para devolver un producto. Visite www.chauvetlighting.com para detalles de contacto.

1. AVANT DE COMMENCER

- Contenu**
- GigBAR™ IRC
 - Cordon d'alimentation
 - 2 équerres
 - Pédale sans fil avec batterie
 - Sac de transport VIP
 - Clé interlock
 - Connecteur à distance interlock
 - Trépied
 - Sac de transport pour le trépied
 - Fiche de garantie
 - Manuel de l'utilisateur

Description Le GigBAR™ IRC est ce qui se fait de mieux en système tout-en-un comprenant deux effets derby rotatifs à LED RGB, deux PARs à LED tricolore à haute puissance, un laser vert et un effet de stroboscope blanc à sorties multiples. Permet facilement de contrôler les programmes et chacune des couleurs de chacune des têtes réglables individuellement. La télécommande IRC-6 est vendue séparément.

Instructions de Déballage Déballiez avec précaution et sans attendre l'appareil et vérifiez la boîte pour vous assurer que tous les éléments se trouvent dans l'emballage et ne présentent aucun dommage.




Réclamations Si l'emballage ou le contenu (l'appareil et les accessoires livrés avec) semble avoir été endommagé pendant le transport, ou s'il présente des signes de manipulation sans précaution, veuillez dès réception en notifier immédiatement le transporteur et non Chauvet. Ne pas enregistrer votre réclamation auprès du transporteur en temps et en heure peut entraîner une invalidation de celle-ci. Gardez l'emballage et tous les matériaux d'emballage pour inspection.

Pour tout autre problème comme la non livraison de pièces ou composants, des dommages sans rapport avec la livraison ou pour des vices cachés, veuillez déposer votre réclamation auprès de Chauvet dans les 7 jours suivant la livraison.

Conventions Manuelles

Convention	Signification
1-512	Une plage de valeurs
50/60	Un ensemble de valeurs parmi lesquelles on ne peut en choisir qu'une
Settings	Une option de menu à ne pas modifier
Menu > Settings	Une séquence d'options de menu à suivre
<ENTER>	Un bouton sur lequel appuyer sur le panneau de commande de l'appareil
ON	Une valeur à saisir ou à sélectionner

Symboles

Symbole	Signification
	Consignes importantes en matière d'installation, de configuration et de fonctionnement. Le non-respect de ces consignes peut entraîner le non fonctionnement de l'appareil ou lui causer des dommages. De même, l'utilisateur pourrait s'en trouver affecté.
	Consignes importantes en matière d'installation ou de configuration. Le produit peut ne pas fonctionner correctement si ces instructions ne sont pas suivies.
	Information utile.

Clause de Non Responsabilité

Les informations et caractéristiques contenues dans ce manuel sont sujettes à changement sans préavis. Chauvet ne sera être tenu responsable pour toute erreur ou omission pouvant être contenue dans ce manuel. De plus Chauvet se réserve le droit de revoir ou réécrire ce manuel à tout moment. Téléchargez la dernière version de ce manuel sur <http://www.chauvetlighting.com/product-manuals-literature/>.

© Copyright 2014 Chauvet. Tous droits réservés.

Imprimé en Chine

Publié électroniquement par Chauvet aux États-Unis.

Auteur	Date	Éditeur	Date
A. Leon	22/09/2014	M. Trouard	22/09/2014

Consignes de Sécurité

Les consignes de sécurité comprennent des informations importantes sur la sécurité des systèmes laser. Veuillez lire et bien comprendre toutes les instructions avant d'allumer le laser pour la première fois. La connaissance de ces consignes de sécurité est cruciale pour éviter toute blessure aux yeux par un laser et pour ne pas enfreindre la loi. Veuillez conserver ce manuel d'utilisation dans un lieu sûr pour vous y référer ultérieurement.



LIRE L'INTÉGRALITÉ DES DONNÉES DE SÉCURITÉ DES LASERS AVANT DE CONTINUER



- Les lasers peuvent être dangereux et nécessitent des précautions de sécurité spécifiques. En cas de mauvaise utilisation de lasers, il y a des risques de lésions oculaires permanentes et de cécité. Portez une attention particulière à chaque REMARQUE de sécurité et chaque déclaration d'AVERTISSEMENT dans ce manuel de l'utilisateur. Lisez toutes les instructions avec soin AVANT d'utiliser cet appareil.
- Toujours connecter l'appareil à un circuit à la terre pour éviter les risques d'électrocution.
- Toujours débrancher l'appareil de la source d'alimentation avant de le nettoyer.
- Évitez tout contact visuel direct avec la source lumineuse quand cet appareil est en marche.
- Veillez à ce que le cordon d'alimentation ne soit jamais pincé ou endommagé.
- Ne débranchez jamais cet appareil en tirant sur le cordon d'alimentation.
- En cas de montage de l'appareil en hauteur, veillez à toujours le fixer à un dispositif d'attache à l'aide d'un câble de sécurité.
- Veillez à ce qu'il ne se trouve jamais à proximité d'aucun matériel inflammable lorsqu'il est en fonctionnement.
- Ne touchez pas le boîtier de l'appareil lorsqu'il est en fonctionnement, celui-ci pouvant être très chaud.

- Cet appareil n'est pas adapté pour une installation permanente.
- Assurez-vous toujours que la tension de la source d'énergie à laquelle est connecté l'appareil est dans la fourchette indiquée sur l'étiquette ou sur le panneau arrière de l'appareil.
- Cet appareil doit uniquement être utilisé en intérieur. (IP20) Afin d'éviter tout risque d'incendie ou de décharge électrique, veillez à n'exposer cet appareil ni à la pluie ni à l'humidité.
- Installez toujours cet appareil dans un endroit bien ventilé à au moins 50 cm (20 po) des surfaces adjacentes.
- Assurez-vous qu'aucune fente de ventilation sur le boîtier n'est obstruée.
- Ne connectez jamais l'appareil à un variateur.
- Utilisez toujours le support de fixation pour transporter l'appareil.
- Ne pas éteindre/allumer l'appareil rapidement de manière répétée. Cela a pour effet de réduire la durée de vie de la diode laser.
- Ne pas secouer cet appareil. Évitez toute force brute lors du montage ou de l'utilisation de cet appareil.
- TOUJOURS utiliser un câble de sécurité lors du montage de l'appareil en hauteur.
- La température maximale ambiante (Ta) est de 40°C (104°F) Ne faites pas fonctionner l'appareil à des températures plus élevées.
- En cas de sérieux problèmes de fonctionnement, arrêtez l'appareil immédiatement.
- N'essayez jamais de réparer l'appareil par vous-même. Toute réparation effectuée par une personne non qualifiée peut entraîner des dommages ou un fonctionnement erratique de l'appareil. Mettez-vous en relation avec le centre d'assistance technique autorisé le plus près de chez vous.



ATTENTION ! L'utilisation de commandes, réglages ou procédures autres que CEUX spécifiés DANS CE MANUEL DE L'UTILISATEUR peut entraîner une exposition à des rayonnements dangereux.



- **Chauvet recommande vivement la mise en place de sacs de sable sur la base du pied pour plus de stabilité.**
- **NE PAS dépasser le cran d'arrêt imprimé sur le mât.**



- **NE PAS trop serrer la vis de au niveau du point d'insertion du trépied sous risque de causer des dommages au mât du pied.**
- **NE PAS utiliser ce pied pour un usage non prévu.**



- Évitez tout contact visuel direct avec la lumière laser. Ne jamais exposer volontairement vos yeux ou ceux d'autres personnes directement à la lumière laser.
- Cet appareil à laser peut potentiellement causer instantanément des blessures aux yeux ou la cécité si la lumière laser rentre directement en contact avec les yeux.
- Il est illégal et dangereux de diriger ce laser vers des zones d'audience dans lesquelles le public ou d'autres personnes pourraient recevoir directement des rayons laser ou des réflexions lumineuses dans leurs yeux.
- Il s'agit d'un illégal de briller tout laser sur les avions.
- L'utilisation de commandes, réglages ou procédures autres que ceux spécifiés dans ce manuel de l'utilisateur peut entraîner une exposition à des rayonnements dangereux.
- **NE PAS essayer d'effectuer des réparations. Les réparations et l'entretien doivent être effectués par un technicien certifié. Les modifications non autorisées sont interdites pour des raisons de sécurité !**



- **Veillez conserver ce manuel de l'utilisateur pour vous y référer ultérieurement. En cas de transfert de propriété de l'appareil à un autre utilisateur, assurez-vous que ce document soit conservé avec le laser.**

Avertissement de Boîtier non-Verrouillé

- Cet appareil renferme un laser très puissant.
- Cet appareil ne s'éteint pas automatiquement, ni reste hors tension si vous retirez son boîtier (boîtier non verrouillable).
- Ne faites jamais fonctionner le laser si son boîtier est ouvert, vous pourriez être exposé à des niveaux dangereux de radiation laser.
- L'intensité du laser, à l'ouverture du boîtier quand l'unité fonctionne, peut entraîner une cécité, des brûlures cutanées ou des incendies instantanément.

Consignes de Sécurité des Lasers



LIRE L'INTÉGRALITÉ DES CONSIGNES DE SÉCURITÉ DES LASERS AVANT DE CONTINUER



La lumière laser est différente de toutes les autres lumières. La lumière laser peut causer des blessures aux yeux s'il n'est pas installé et utilisé correctement. La lumière laser est plusieurs milliers de fois plus concentrée que tout autre type de lumière. Cette concentration peut provoquer des lésions oculaires instantanés, principalement par la combustion de la rétine (la partie sensible à la lumière à l'arrière de l'œil). La chaleur d'une lumière laser ne peut pas être ressentie mais elle peut néanmoins blesser ou rendre aveugle les utilisateurs de l'appareil et le public. Même de très petites quantités de lumière laser sur de longues distances sont potentiellement dangereuses.

NE PAS regarder dans le faisceau, à tout moment. Produit de classe 2M laser émettent un rayonnement laser.

NE PAS pointer l'appareil vers les yeux de quelqu'un.

-
- Ne pas faire fonctionner le laser sans avoir lu et bien compris toutes les données techniques et de sécurité de ce manuel.
 - TOUJOURS configurer et installer tous les effets de laser afin que toute lumière laser soit à au moins 3 mètres (9,8 pieds) au-dessus du sol sur lequel les gens peuvent se tenir debout. Voir la section [Utilisation Appropriée](#) de ce manuel.
 - Après l'installation, et avant l'usage en public, testez les lasers pour vous assurer de leur bon fonctionnement. Ne pas utiliser l'appareil si un défaut est détecté.
 - NE PAS utiliser le laser s'il n'émet qu'un ou deux faisceaux au lieu de plusieurs dizaines/centaines, car cela indique des dommages au réseau de diffraction optique, ce qui permet une émission de laser d'un niveau supérieur à la classe 2M.
 - NE PAS pointer des lasers sur des personnes ou des animaux.
 - NE PAS regarder dans l'ouverture laser ou dans les faisceaux laser.
 - NE PAS diriger des lasers vers des zones où des personnes pourraient y être exposées.
 - NE PAS pointer des lasers vers des surfaces très réfléchissantes telles que des fenêtres, des miroirs et le métal brillant. Les réflexions de laser peuvent également être dangereuses.
 - Ne jamais pointer un laser sur les avions; vérifier vos lois locales pour connaître les restrictions avant d'utiliser ce laser.
 - Ne jamais pointer une faisceau laser non terminé vers le ciel.
 - Ne pas exposer l'optique de sortie (ouverture) à des produits chimiques de nettoyage agressifs.
 - Ne pas utiliser le laser si le boîtier est endommagé, ouvert, ou si les optiques apparaissent endommagées de quelque manière que ce soit.
 - Ne jamais ouvrir le boîtier du laser. Les niveaux élevés de puissance de laser à l'intérieur du boîtier de protection peuvent provoquer des incendies ou brûler la peau, et peuvent provoquer des blessures instantanées aux yeux.
 - Ne laissez jamais ce produit fonctionner sans surveillance.
 - Le fonctionnement d'un show laser de classe 2M n'est autorisé que si les lasers sont contrôlés par un professionnel qualifié, convenablement formé et ayant pris connaissance des données présentes dans ce manuel.
 - Les exigences légales pour l'utilisation d'appareils de divertissement à laser varient d'un pays à l'autre. L'utilisateur est responsable des exigences légales dans l'emplacement / le pays d'utilisation.

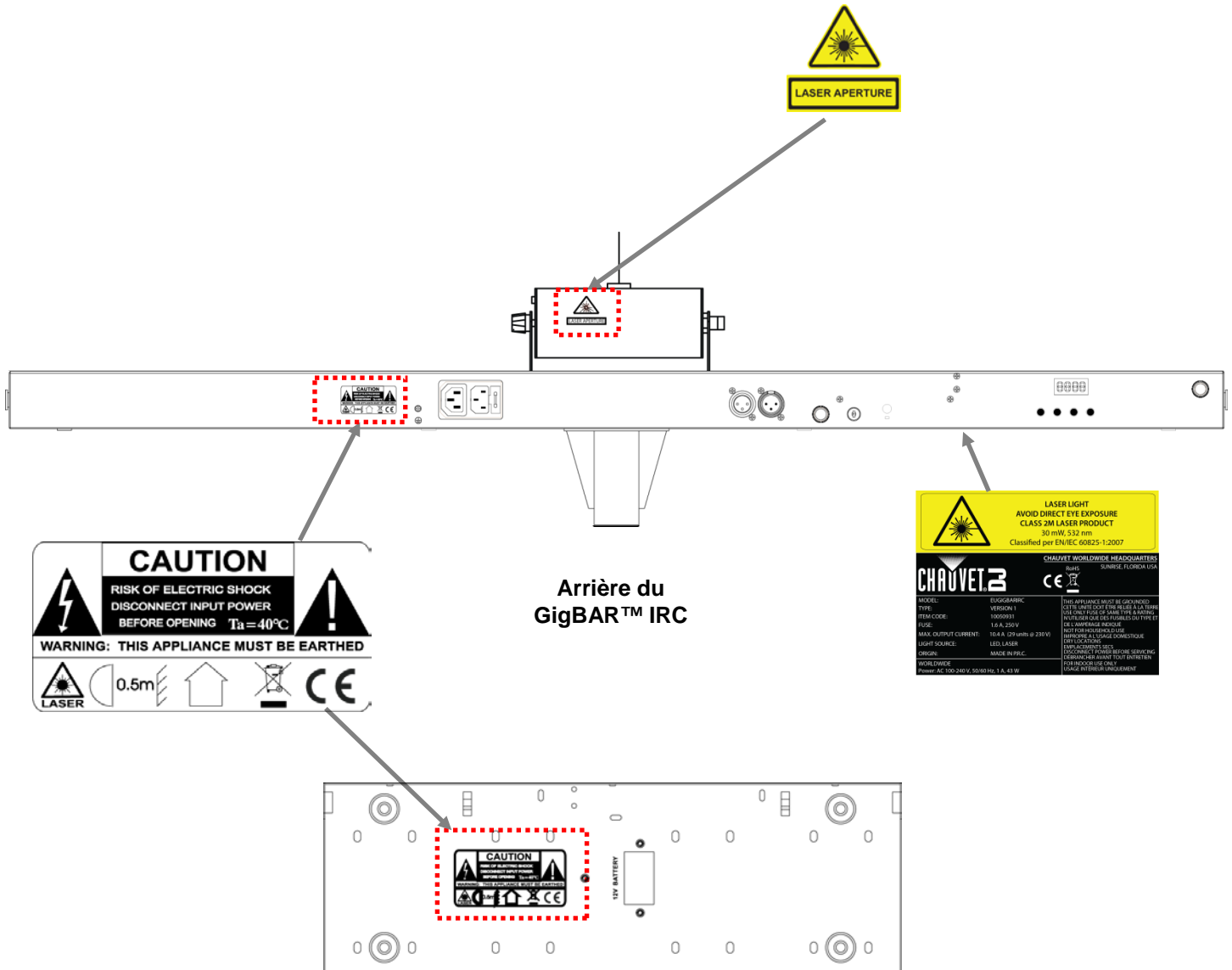


ATTENTION ! NE PAS utiliser cet appareil de manière contraire à ce qui est spécifié dans ce manuel de l'utilisateur. Le non-respect de ces instructions annule la garantie, peut endommager le produit ou blesser l'utilisateur ou le public.



ATTENTION ! Ce produit ne peut pas être jeté avec les ordures ménagères. Veuillez contacter votre service de gestion des déchets pour la réglementation locale concernant l'élimination des produits électroniques dans votre région.

Reproduction de l'Etiquette de Sécurité Laser



Arrière du GigBAR™ IRC

Arrière de la Pédale

LASER LIGHT
 AVOID DIRECT EYE EXPOSURE
 CLASS 2M LASER PRODUCT
 30 mW, 532 nm
 Classified per EN/IEC 60825-1:2007

CHAUVET CHAUVET WORLDWIDE HEADQUARTERS
 SUITE 1000 S.W. 10TH AVENUE
 MIAMI, FLORIDA, USA

MODEL:	EUGIGBARIC	THIS APPLIANCE MUST BE GROUND TO THE MAIN SUPPLY WIRING. A GROUNDING CONNECTION IS REQUIRED FOR PROPER OPERATION.
TYPE:	VIDEOKIT	SEE USER MANUAL FOR ADDITIONAL INFORMATION.
ITEM CODE:	10000001	SEE USER MANUAL FOR ADDITIONAL INFORMATION.
RANGE:	1.5 A, 250V	SEE USER MANUAL FOR ADDITIONAL INFORMATION.
MARK OUTPUT CURRENT:	100mA (200mA @ 230V)	SEE USER MANUAL FOR ADDITIONAL INFORMATION.
LIGHT SOURCE:	LED LASER	SEE USER MANUAL FOR ADDITIONAL INFORMATION.
ORIGIN:	MADE IN P.R.C.	SEE USER MANUAL FOR ADDITIONAL INFORMATION.
WORLDWIDE Power AC 100-240V, 50/60 Hz, 1 A, 43 W		SEE USER MANUAL FOR ADDITIONAL INFORMATION.

CAUTION
 RISK OF ELECTRIC SHOCK
 DISCONNECT INPUT POWER
 BEFORE OPENING $T_a=40^{\circ}\text{C}$

WARNING: THIS APPLIANCE MUST BE EARTHED

LASER 0.5m

CE

**Avertissement
d'Exposition au
Laser**

LUMIERE LASER ÉVITER L'EXPOSITION DIRECTE DES YEUX

D'autres lignes directrices et programmes de sécurité pour une utilisation sans risque des lasers peuvent être trouvés dans la norme ANSI Z136.1 "Pour l'utilisation sans risque des lasers", disponible auprès du Laser Institute of America. www.laserinstitute.org. De nombreux gouvernements locaux, entreprises, institutions, militaires et autres, exigent que tous les lasers soient utilisés dans le respect des directives de la norme ANSI Z136.1. Une aide pour l'affichage des laser peut être obtenue par l'intermédiaire de l'ILDA (International Laser Display Association) : www.laserist.org.

**Données
d'émission laser**

Tel que mesuré dans les conditions de mesure de la CEI pour la classification.

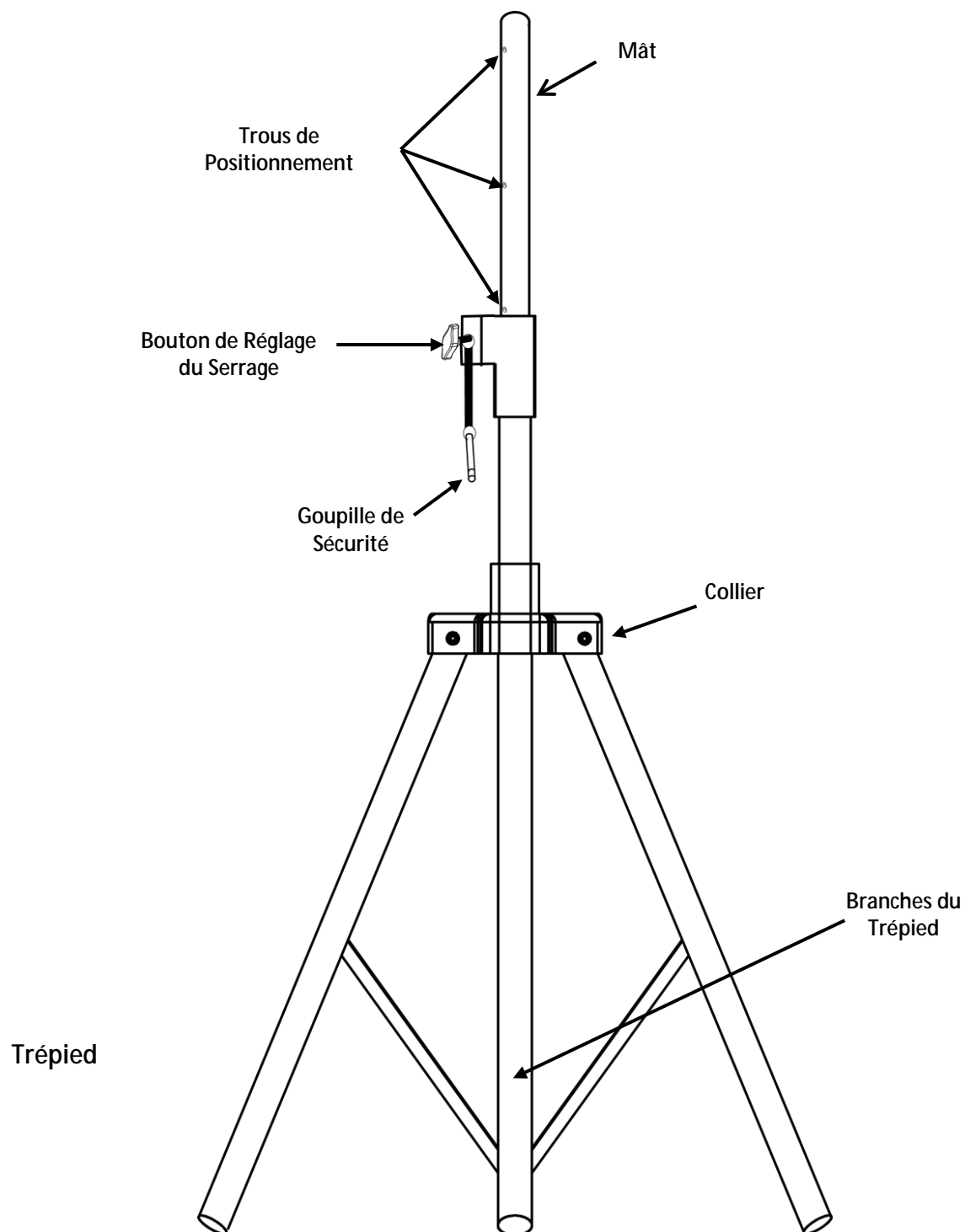
Classification laser	Classe 2M
Milieu laser vert	DPSS Nd:YVO4, 532 nm/30 mW
Diamètre du faisceau	<5 mm à l'ouverture
Données de pulsation	Toutes les pulsations < 4 Hz (>0.25 sec)
Divergence (chaque faisceau)	<2 mrad
Divergence (lumière totale)	<160 degrés
Puissance laser de chaque faisceau au niveau de l'ouverture	<5 mW

**Déclaration de
Conformité Laser**

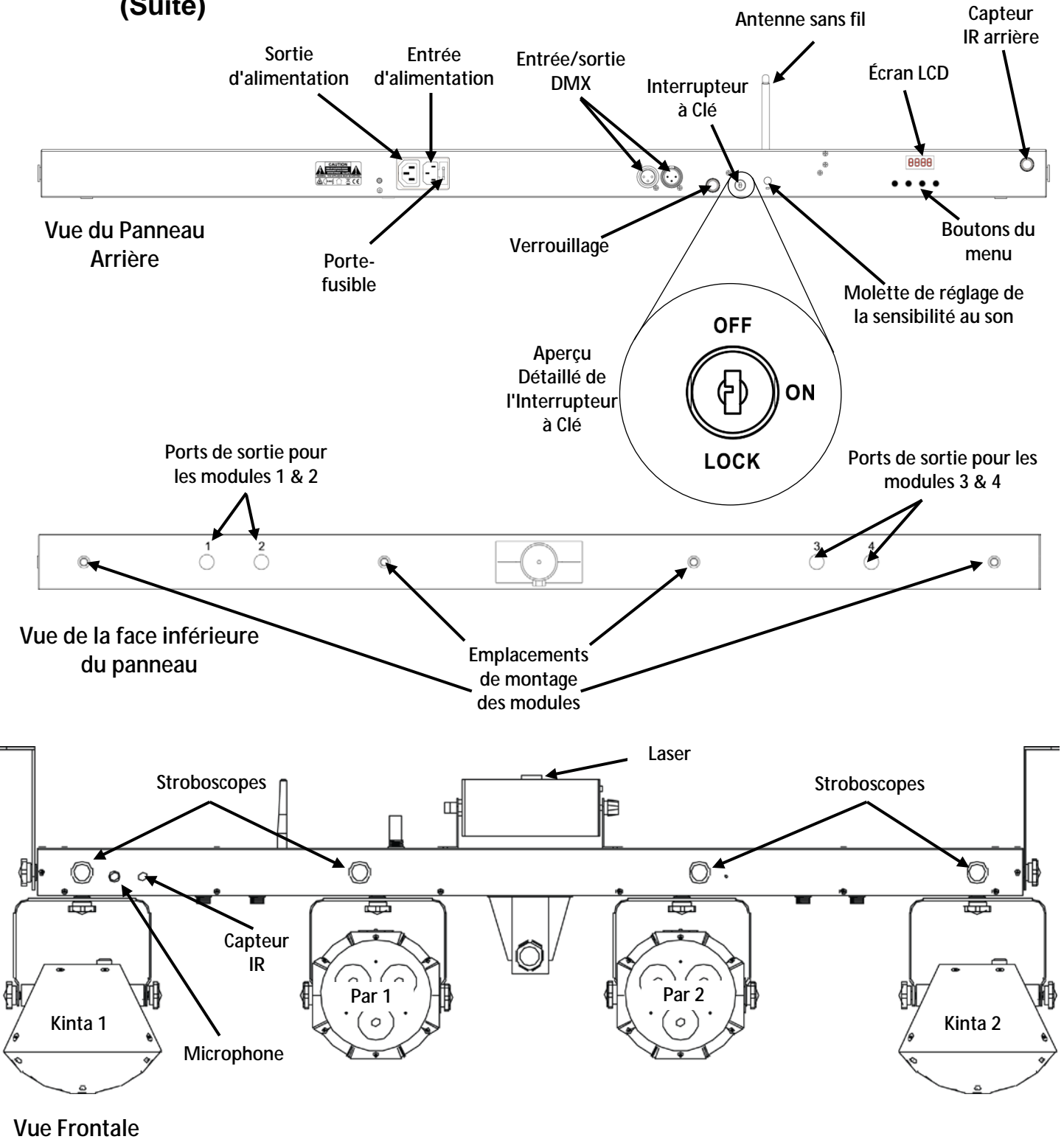
Ce produit laser est conforme à la norme EN/CEI 60825-1 Ed 2, 2007-03, et à la FDA/CDRH FLPPS en vertu des dispositions de l'avis Laser n°50 du 24 Juin 2007. Ce dispositif de laser est classé 2M. (Class 2M est l'équivalent international de classe IIIa États-Unis.)Aucun entretien n'est nécessaire pour conserver ce produit dans le respect des normes de performance de laser.

2. INTRODUCTION

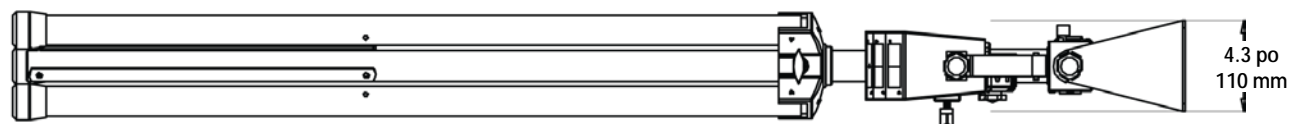
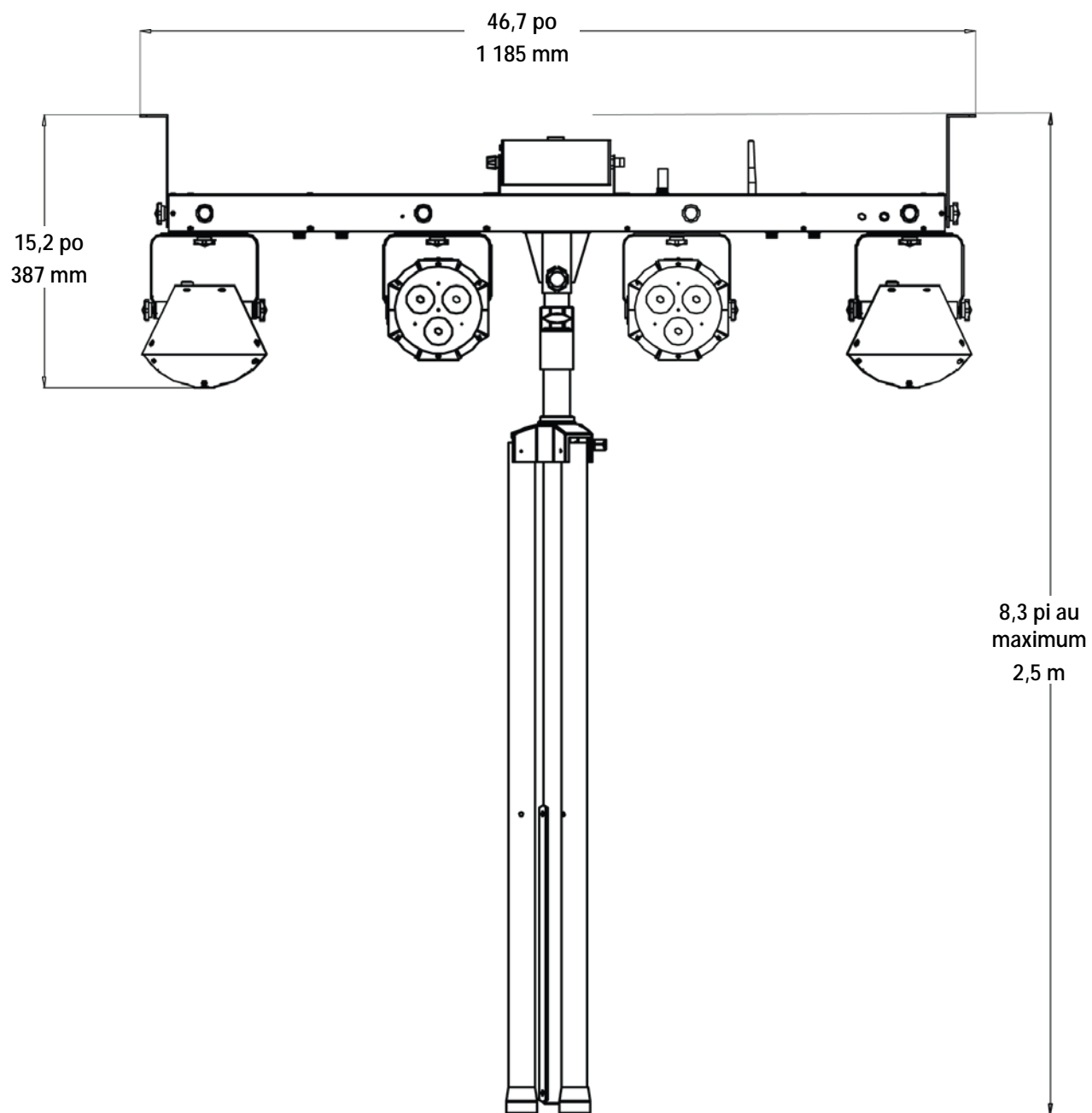
Vue d'Ensemble



Vue d'Ensemble (Suite)



Dimensions



3. CONFIGURATION

Alimentation Le GigBAR™ IRC est doté d'une alimentation universelle interne et il peut fonctionner avec des tensions d'entrée comprises entre 100 et 240 V CA, 50/60 Hz.

CA

Pour déterminer les besoins en énergie de l'appareil (disjoncteur, prise de courant et câblage), utilisez la valeur de courant figurant sur l'étiquette apposée sur le panneau arrière de l'appareil, ou consultez la section [Spécifications Techniques](#) de ce manuel. La capacité nominale affichée indique la consommation courante dans des conditions normales d'utilisation.



Toujours connecter l'appareil à un circuit protégé (disjoncteur ou fusible). Assurez-vous que l'appareil soit correctement mis à la terre pour éviter tout risque d'électrocution ou d'incendie.



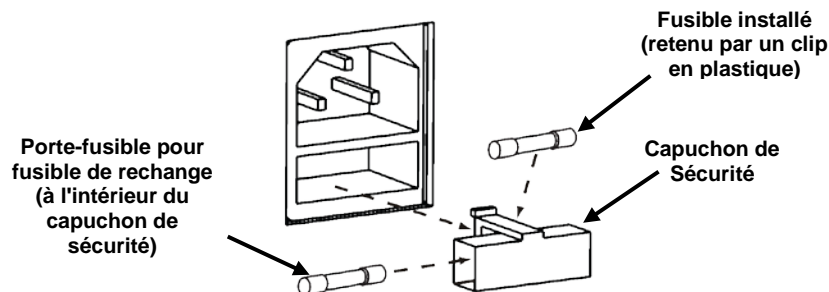
Ne connectez jamais l'appareil à un rhéostat (résistance variable) ou un circuit voleur, même si vous n'avez l'intention de vous servir du rhéostat ou du canal d'assombrissement que comme interrupteur 0 à 100%.

Remplacement des fusibles

1. Débranchez l'appareil.
2. Calez la pointe d'un tournevis à tête plate dans la fente du porte-fusible.
3. Soulevez le porte-fusible hors du boîtier.
4. Retirez le fusible grillé du porte-fusible.
5. Remplacez-le par un fusible de même type.
6. Remettez en place le port-fusible puis rebranchez.



Débranchez l'appareil avant de changer le fusible.



Aucun fusible de rechange n'est livré avec l'appareil, toutefois la capsule de sécurité permet d'en accueillir un.



Remplacez toujours un fusible grillé avec un de même type et même ampérage.

Un Connecteur de Verrouillage

Cet appareil est doté d'un jack pour interrupteur à distance Interlock qui permet d'éteindre en urgence le laser le cas échéant. Il est impératif d'utiliser le connecteur à distancer Interlock pour réaliser votre propre interrupteur à distance.

Chaînage Électrique

Le chaînage électrique consiste à connecter des appareils en guirlande par le biais de leurs connecteurs d'entrée et de sortie d'alimentation, ce qui permet à plusieurs appareils d'être alimentés à partir d'une seule prise de courant.

Jusqu'à 29 appareils GigBAR™ IRC peuvent être alimentés sur du 230 V.

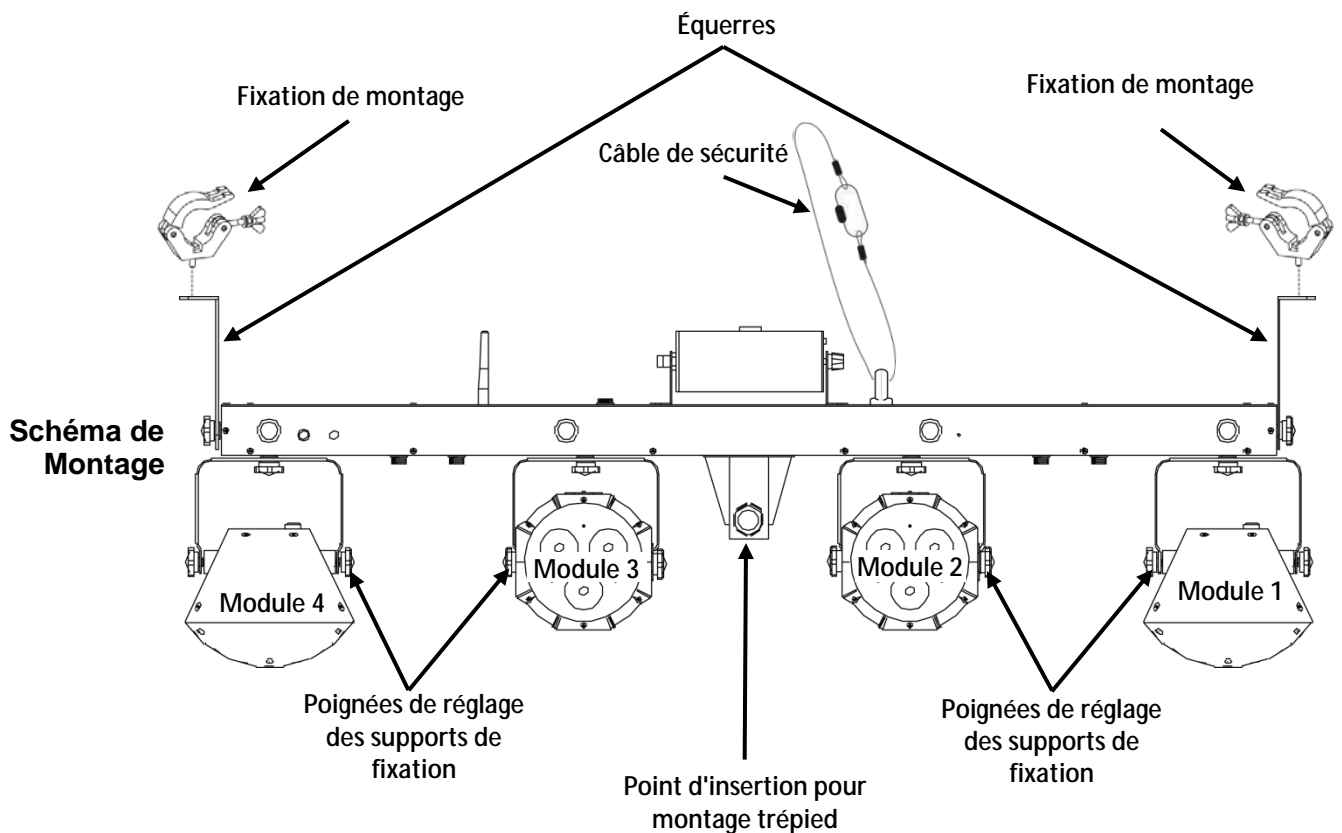


Ne pas chaîner plus de 29 appareils GigBAR™ IRC sur du 230 V.

Installation Avant d'installer l'appareil, veuillez lire et respecter les recommandations de sécurité indiquées dans la section [Consignes de Sécurité](#).

Orientation Le GigBAR™ IRC doit être installé dans une position pensée pour l'utilisation sans risque du laser. Assurez-vous également que la ventilation soit suffisante autour de l'appareil.

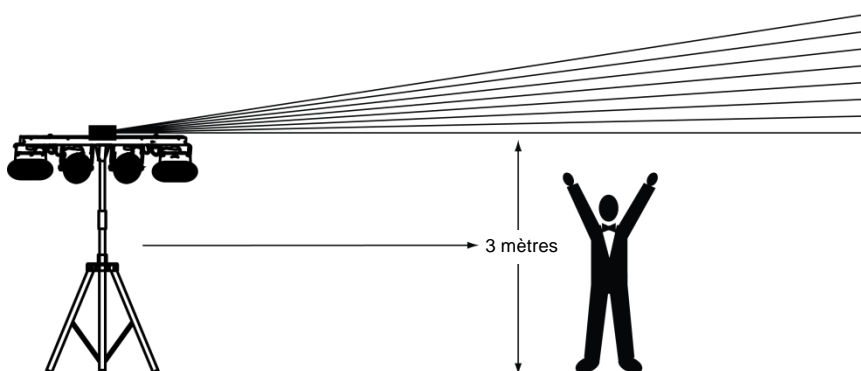
- Montage**
- Avant de choisir un emplacement pour l'appareil, assurez-vous toujours qu'il soit facile d'accéder au produit pour l'entretien et la programmation.
 - Assurez-vous que la structure ou la surface sur laquelle vous installez l'appareil peut supporter le poids de l'appareil (voir la section [Spécifications Techniques](#)).
 - En cas de montage de l'appareil en hauteur, veillez à toujours utiliser un câble de sécurité (par exemple le **CH-05** de Chauvet). Installez l'appareil de manière sécurisée à un point d'accroche, tel qu'une plateforme élevée ou une structure truss.
 - Les poignées de réglage des crochets permettent des ajustements directionnels pour diriger l'appareil vers l'angle souhaité. Les poignées de réglage doivent être serrées ou desserrées manuellement. L'utilisation d'outils peut endommager les poignées.
 - Lors de l'installation sur un trépied, assurez-vous que le pied soit correctement serré et mis au niveau.



Utilisation Appropriée

Cet appareil n'est destiné qu'aux montages en hauteur. Pour des raisons de sécurité, Chauvet recommande d'installer les appareils à effet d'éclairage sur des plates-formes élevées stables ou des supports robustes en hauteur à l'aide de fixations de suspension appropriées. Dans tous les cas, utilisez des câbles de sécurité. Vous pouvez obtenir le matériel de montage approprié auprès de votre fournisseur d'éclairages.

Les normes internationales de sécurité laser exigent que les appareils à laser soient utilisés tel qu'illustré ci-dessous, avec un minimum de 3 mètres (9,8 pieds) de séparation verticale entre le sol et la lumière laser la plus faible. De plus, une séparation horizontale de 3 mètres est requise entre la lumière laser et l'audience ou tout autre espace public.



ATTENTION ! L'utilisation de commandes, réglages ou procédures autres que CEUX spécifiés DANS CE MANUEL DE L'UTILISATEUR peut entraîner une exposition à des rayonnements dangereux.



- Chauvet recommande vivement la mise en place de sacs de sable sur la base du pied pour plus de stabilité.
- **IMPORTANT : NE PAS dépasser le cran d'arrêt imprimé sur le mât.**



- **NE PAS trop serrer le parbar sous risque de causer des dommages au pied.**
- **NE PAS utiliser ce pied pour un usage non prévu.**

Verrouillage et Interrupteur à Clé

Cet appareil est doté d'une verrouillage et un interrupteur à clé permettant d'en assurer fonctionnement du laser uniquement du laser si elles sont insérées et si la clé est positionnée sur ON.

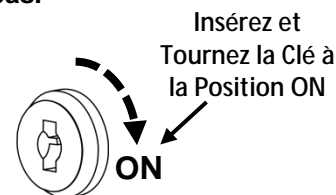
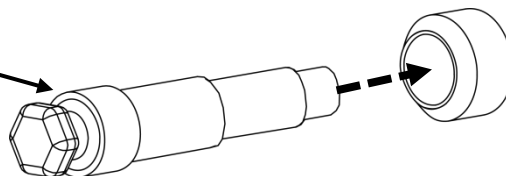
Pour le laser à fonctionner, vous devez à la fois insérer :

- le verrouillage
- la clé, et tourner la clé à la position ON

Sinon, si les deux ne sont pas réalisés, le laser ne s'allume pas.



Insérez le Verrouillage

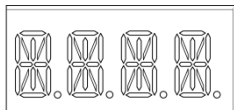


Assurez-vous de toujours positionner cette clé sur OFF et de la retirer quand vous laissez cet appareil sans surveillance afin de prévenir tout accident ou blessures à des tiers.

4. FONCTIONNEMENT

Cet appareil n'est pas conçu pour une utilisation en continue. Assurez-vous d'effectuer des pauses régulières pendant le fonctionnement afin de maximiser la durée de vie de votre laser. Toujours débrancher le GigBAR™ IRC lorsqu'il n'est pas utilisé.

Utilisation du panneau de commande Pour accéder aux fonctions du panneau de commande, utilisez les quatre boutons situés en dessous de l'affichage. Lorsque l'appareil est allumé, l'écran LED situé sur le panneau arrière affiche le mode de fonctionnement actuel (autonome ou DMX). L'appareil conserve les derniers réglages enregistrés lorsqu'il est éteint.



Bouton	Fonction
<MENU>	Permet de sélectionner un mode de fonctionnement ou de sortir de l'option de menu courante.
<UP>	Permet de se déplacer vers le haut dans une liste d'options ou permet de sélectionner une valeur plus haute.
<DOWN>	Permet de se déplacer vers le bas dans une liste d'options ou permet de sélectionner une valeur plus basse.
<ENTER>	Permet d'activer une option de menu ou une valeur sélectionnée.

Plan du Menu

Mode	Niveaux de Programmation		Description
Effet mélangé automatique	AM**	AM01–AM02	Permet de sélectionner le spectacle effet mélangé automatique
		F 01–F 99	Permet de sélectionner la vitesse de l'effet mélangé automatique
Effet mélangé activé par le son	SM**	SM01–SM02	Permet de sélectionner le spectacle effet mélangé activé par le son
		F 01–F 99	Permet de sélectionner la vitesse de l'effet mélangé activé par le son
Paramètres du spectacle	SHOW		Après avoir appuyé sur la touche <ENTER>, permet de sélectionner différents paramètres de spectacle, parmi lesquels il est possible de choisir le spectacle d'effets avec style mélangé ou les effets n'utilisant que les Pars.
Effet Par automatique	AP**	AP01– AP07	Permet de sélectionner le spectacle Par
		F 01–F 99	Permet de sélectionner la vitesse du spectacle Par
Effet Kinta automatique	AK01	AK01	Permet de sélectionner le spectacle Kinta automatique
		F 01–F 99	Permet de sélectionner la vitesse du spectacle automatique kinta
Effet laser automatique	AL01	AL01	Permet de sélectionner le spectacle laser automatique
		F 01–F 99	Permet de sélectionner la vitesse du spectacle laser automatique
Effet stroboscope automatique	AS**	AS01–AS09	Permet de sélectionner le spectacle stroboscope automatique
		F 01–F 99	Permet de sélectionner la vitesse du spectacle stroboscope automatique
Par + Kinta automatique	APK1	APK1	Permet de sélectionner le spectacle automatique Par et Kinta
		F 01–F 99	Permet de sélectionner la vitesse du spectacle automatique Par et Kinta

Par + laser automatique	APL1	APL1	Permet de sélectionner le spectacle automatique Par et laser
		F 01–F 99	Permet de sélectionner la vitesse du spectacle automatique Par et laser
Par + stroboscope automatique	APS1	APS1	Permet de sélectionner le spectacle automatique Par et stroboscope
		F 01–F 99	Permet de sélectionner la vitesse du spectacle automatique Par et stroboscope
Kinta + laser automatique	AKL1	AKL1	Permet de sélectionner le spectacle automatique Kinta et laser
		F 01–F 99	Permet de sélectionner la vitesse du spectacle automatique Kinta et laser
Kinta + stroboscope automatique	AKS1	AKS1	Permet de sélectionner le spectacle automatique Kinta et stroboscope
		F 01–F 99	Permet de sélectionner la vitesse du spectacle automatique Kinta et stroboscope
Par + Kinta + Laser	APKL	APKL	Permet de sélectionner le spectacle Par, Kinta et laser
		F 01–F 99	Permet de sélectionner la vitesse du spectacle Par, Kinta et laser
Par + Kinta + Strobe	APKS	APKS	Permet de sélectionner le spectacle Par, Kinta et stroboscope
		F 01–F 99	Permet de sélectionner la vitesse du spectacle Par, Kinta et stroboscope
Par + Laser + Strobe	APLS	APLS	Permet de sélectionner le spectacle Par, laser et stroboscope
		F 01–F 99	Permet de sélectionner la vitesse du spectacle Par, laser et stroboscope
Kinta + Laser + Strobe	AKLS	AKLS	Permet de sélectionner le spectacle Kinta, laser et stroboscope
		F 01–F 99	Permet de sélectionner la vitesse du spectacle Kinta, laser et stroboscope
Effet Par activé par le son	SP**	SP01–SP07	Paramètre les Pars en activation par le son
Effet Kinta activé par le son		SK01	Sets kintas to Sound mode
Effet laser activé par le son		SL01	Sets laser to Sound mode
Effet stroboscope activé par le son	SS**	SS01–SS10	Permet de paramétrer les stroboscopes en activation par le son et de sélectionner la vitesse de l'effet
Pars et Kintas activés par le son		SPK1	Paramètre les Pars et les Kintas en activation par le son
Pars et lasers activés par le son		SPL1	Paramètre les Pars et les lasers en activation par le son
Pars et stroboscopes activés par le son		SPS1	Paramètre les Pars et les stroboscopes en activation par le son
Kintas et lasers activés par le son		SKL1	Paramètre les Kintas et les lasers en activation par le son
Kintas et stroboscopes activés par le son		SKS1	Paramètre les Kintas et les stroboscopes en activation par le son
Par + Kinta + Laser		SPKL	Paramètre les Pars, les Kintas et les lasers en activation par le son

Par + Kinta + Strobe	SPKS			Paramètre les Pars, les Kintas et les stroboscopes en activation par le son
Par + Laser + Strobe	SPLS			Paramètre les Pars, les lasers et les stroboscopes en activation par le son
Kinta + Laser + Strobe	SKLS			Paramètre les Kintas, les lasers et les stroboscopes en activation par le son
Paramètres généraux de couleurs	CoLo	R**	R000–R255	Permet de régler les valeurs de rouge à la fois pour les Pars et les Kintas
		G**	G000–G255	Permet de régler les valeurs de vert à la fois pour les Pars et les Kintas
		B**	B000–B255	Permet de régler les valeurs de bleu à la fois pour les Pars et les Kintas
Réglage du mode DMX	D**	3 CH		Permet de sélectionner la personnalité DMX
		8 CH		
		19CH		
Adresse DMX	d001–d512			Permet de sélectionner l'adresse DMX de démarrage. La plage DMX est restreinte par le nombre de canaux du mode DMX sélectionné.
Réglage maître/esclave	Slav			Permet d'activer le mode esclave
Options du système	Sys	dSET	1234	Permet de changer la disposition des modules
		rSEt		Permet de réinitialiser aux valeurs par défaut d'usine
		WiFi	on	Permet d'allumer/éteindre l'antenne Wi-Fi™ pour la pédale sans fil
	off			

Configuration (Autonome)

Permet de paramétrer l'appareil dans l'un des modes autonome pour permettre le contrôle sans contrôleur DMX. Branchez l'appareil sur une prise de courant appropriée.



Ne reliez jamais un appareil en mode autonome (automatique ou activation par le son) à une chaîne DMX comprenant un contrôleur DMX. Les appareils en mode autonome peuvent émettre des signaux DMX qui interfèrent avec les signaux DMX du contrôleur.

Mode effet Mélangé Activé par le Son

Pour activer le mode effet mélangé activé par le son (tout activé par le son), procédez comme suit :

1. Appuyez sur la touche **<MENU>** de manière répétée jusqu'à ce que l'affichage indique **SM****.
2. Appuyez sur **<ENTER>**.
3. Utilisez les touches **<UP>** ou **<DOWN>** pour sélectionner le mode d'activation par le son souhaité (**SM01** ou **SM02**).
4. Appuyez sur **<ENTER>** pour faire passer l'appareil dans le mode d'activation par le son sélectionné.

Mettez la musique en marche et réglez le bouton de sensibilité au son jusqu'à ce que l'appareil commence à réagir au rythme de la musique.



L'appareil ne réagit qu'aux basses fréquences de musiques (basses et batterie).

En mode d'activation par le son, le laser s'éteint après 3 secondes de silence ou de bruit en dessous du réglage de sensibilité.

Mode Effet Mélangé Automatique

- Pour activer le mode effet mélangé automatique (tout en automatique), procédez comme suit :
1. Appuyez sur la touche **<MENU>** de manière répétée jusqu'à ce que l'affichage indique **AM****.
 2. Appuyez sur **<ENTER>**.
 3. Utilisez les touches **<UP>** ou **<DOWN>** pour sélectionner le mode automatique souhaité (**AM01** ou **AM02**).
 4. Appuyez sur **<ENTER>**.
 5. Utilisez les boutons **<UP>** ou **<DOWN>** pour régler la vitesse du mode de **F-01** (rapide) à **F-99** (lent).
 6. Appuyez sur **<ENTER>**.

Paramètres du Spectacle

Pour choisir entre les spectacles d'effets avec style mélangé ou les effets n'utilisant que les Pars, suivez les instructions ci-dessous et référez-vous au [Plan du Menu](#) pour prendre connaissances des étapes de programmation :

1. Appuyez sur la touche **<MENU>** de manière répétée jusqu'à ce que l'affichage indique **SHOW**.
2. Appuyez sur **<ENTER>** pour aller au niveau de programmation suivant.
3. Utilisez les touches **<UP>** ou **<DOWN>** pour faire défiler les différentes options de spectacle auto ou activation par le son.
4. Appuyez sur **<ENTER>** pour faire passer l'appareil dans le mode sélectionné.
5. Utilisez les boutons **<UP>** ou **<DOWN>** pour régler la vitesse du mode de **F-01** (rapide) à **F-99** (lent).
6. Appuyez sur **<ENTER>**.

Mode Maître/Esclave

Le mode Maître/Esclave permet à un seul GigBAR™ IRC (le maître) de contrôler les actions d'un ou plusieurs appareils GigBAR™ IRC (les esclaves) sans contrôleur DMX. Le maître doit être réglé pour fonctionner soit en mode automatique soit en mode d'activation par le son, tandis que les esclaves doivent être paramétrés pour fonctionner en mode esclave. Une fois paramétrés et connectés, les unités esclaves fonctionnent à l'unisson avec le maître.

Configurez les appareils comme indiqué ci-dessous :

Pour chaque esclave :

1. Appuyez sur la touche **<MENU>** de manière répétée jusqu'à ce que l'affichage indique **Slav**.
2. Appuyez sur **<ENTER>** pour faire passer l'appareil en mode esclave. L'affichage continue à clignoter.
3. Répétez les étapes 1 et 2 pour chaque appareil .
4. Connectez la sortie DMX de la première unité esclave à l'entrée DMX de l'unité esclave suivante.
5. Connectez l'entrée DMX de chaque unité esclave suivante à la sortie DMX de l'unité esclave précédente.



- **Configurez toutes les unités esclaves avant de connecter le maître à la chaîne DMX en guirlande.**
- **L'affichage des esclaves continuera à clignoter jusqu'à la réception d'un signal DMX de la part du maître.**

Pour le maître :

1. Connectez la sortie DMX du maître à l'entrée DMX de la première unité esclave.
2. Paramétrez l'unité maître en mode automatique ou en mode d'activation par le son.



- **Assurez-vous que le maître soit la première unité dans la chaîne DMX.**
- **Ne jamais connecter un contrôleur DMX à une chaîne DMX configurée pour le fonctionnement en maître/esclave car le contrôleur peut rentrer en interférence avec les signaux du maître.**
- **Ne pas connecter plus de 31 esclaves au maître.**

Configuration (DMX)

Paramétrez l'appareil en mode DMX pour pouvoir le contrôler avec un contrôleur DMX. L'appareil utilise un câble DMX à 3 broches.

1. Branchez l'appareil sur une prise de courant appropriée.
2. Connectez un câble DMX depuis la sortie DMX du contrôleur DMX à l'entrée DMX de l'appareil.

Personnalité DMX et Adresse DMX de Départ

Lors de la sélection d'une adresse DMX de départ, veillez à toujours prendre en compte le nombre de canaux DMX utilisés par l'appareil. Si vous choisissez une adresse de départ trop élevée, vous pouvez restreindre l'accès à certains des canaux de l'appareil.

Le GigBAR™ IRC utilise des personnalités DMX avec 3, 8 et 19 canaux, ce qui signifie que l'adresse DMX la plus élevée que vous pouvez utiliser est **494**.

Si vous n'êtes pas familier avec le protocole DMX, vous pouvez télécharger l'introduction au DMX à l'adresse http://www.chauvetlighting.com/downloads/DMX_Primer_Rev6_WO.pdf.

Pour sélectionner la personnalité DMX et l'adresse DMX de départ, effectuez les actions suivantes :

1. Appuyez sur la touche **<MENU>** de manière répétée jusqu'à ce que la personnalité DMX souhaitée (**3 CH**, **8 CH**, ou **19CH**) clignote sur l'écran.
2. Appuyez sur **<ENTER>**, l'inscription **D**** clignote sur l'écran.
3. Utilisez les touches **<UP>** ou **<DOWN>** pour sélectionner l'adresse de départ (de **d001** à **d512**).
4. Appuyez sur **<ENTER>** pour faire passer l'appareil en mode DMX. L'affichage continue à clignoter.

Réglage de Couleur Personnalisé

Pour paramétrer le Par et le Kinta avec une couleur personnalisée, effectuez les actions suivantes :

1. Appuyez sur la touche **<MENU>** de manière répétée jusqu'à ce que l'affichage indique **CoLo**.
2. Appuyez sur **<ENTER>**.
3. Utilisez les touches **<UP>** ou **<DOWN>** pour faire vous déplacer parmi les choix **R**** (rouge), **G**** (vert) ou **B**** (bleu).
4. Appuyez sur **<ENTER>** pour sélectionner la couleur.
5. Utilisez les touches **<UP>** ou **<DOWN>** pour régler la saturation de la couleur (**X000–X255**).
6. Appuyez sur **<ENTER>**.
7. Répétez les étapes 3 à 5 pour chaque couleur.

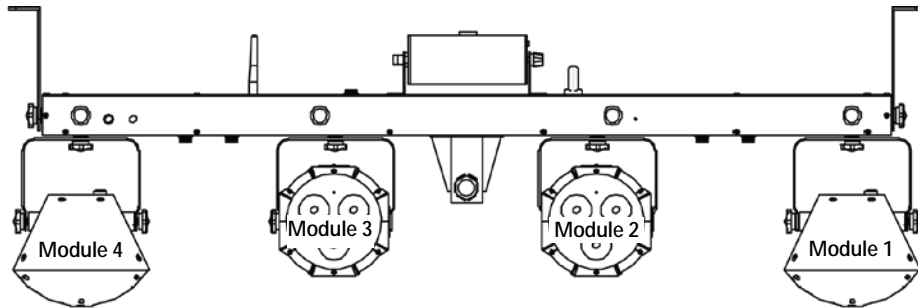
Paramètres système

Pour restaurer les paramètres d'usine par défaut, ou pour modifier les paramètres de module, suivez les instructions ci-dessous.

1. Appuyez sur la touche **<MENU>** de manière répétée jusqu'à ce que l'affichage indique **Sys**.
2. Appuyez sur **<ENTER>**.
3. Utilisez les touches **<UP>** ou **<DOWN>** pour sélectionner l'option **rSEt** (paramètres d'usine par défaut) ou **dSEt** (modification de la disposition des modules).
4. Appuyez sur **<ENTER>** pour sélectionner le paramètre système souhaité.

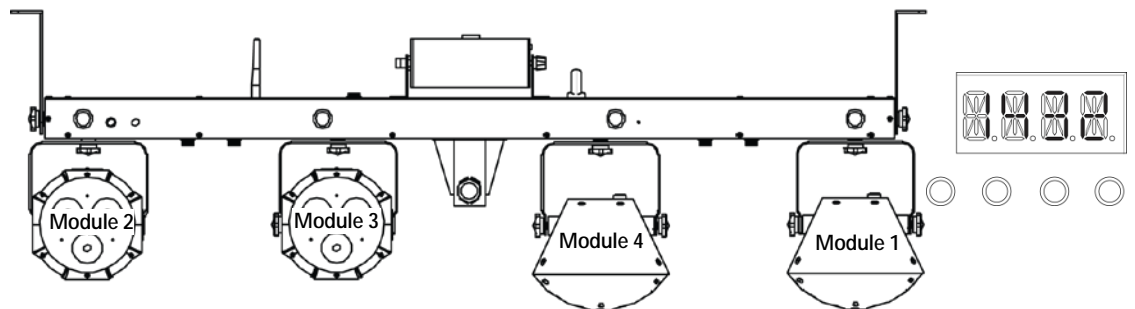
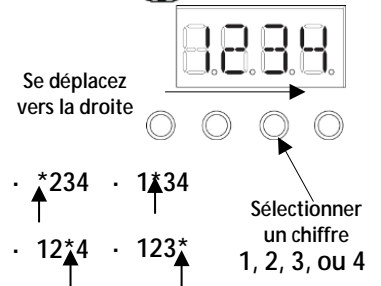
Si l'option **rSEt** est sélectionnée, le GigBAR™ IRC est restauré aux paramètres d'usines par défaut.

Disposition par Défaut des Modules



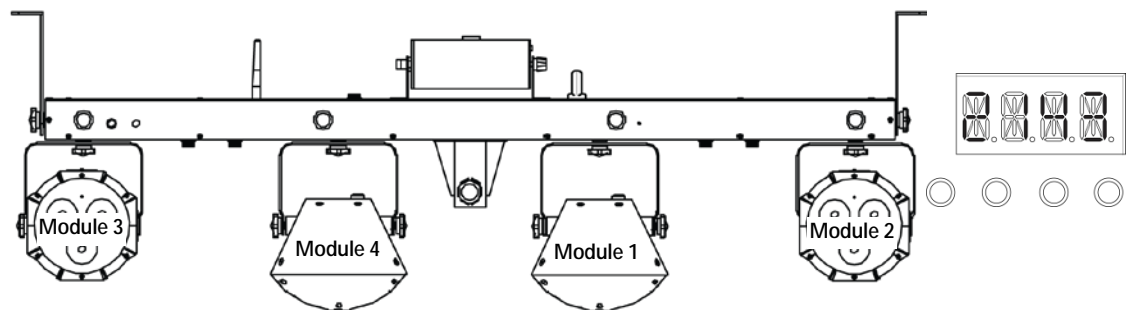
Si l'option **dSEt** est sélectionnée, vous pouvez changer l'ordre des modules en suivant les étapes et les exemples ci-dessous :

- Utilisez la touche **<UP>** pour vous déplacer vers la droite sur l'affichage.
- Utilisez la touche **<DOWN>** pour changer la valeur numérique (1, 2, 3 ou 4).
- Appuyez sur **<ENTER>** pour confirmer.
- Répétez ces étapes jusqu'à ce que les 4 modules soit disposés comme souhaité.



Exemple 1

Des Exemples de Modification de l'Ordre des Modules



Exemple 2

Affectation de Canaux DMX et Valeurs

19CH	Canal	Fonction	Valeur	Paramétrage	
	1	Contrôle du Par 1	000 ó 255	Rouge 0 à 100%	
	2		000 ó 255	Vert 0 à 100%	
	3		000 ó 255	Bleu 0 à 100%	
	4		000 ó 127	RGB, basé sur les canaux 1, 2 et 3	
			128 ó 239	Vitesse du stroboscope, lent à rapide	
			240 ó 249	Clignotement du stroboscope en fonction du son	
			250 ó 255	RGB 100%	
	5		Contrôle du Par 2	000 ó 255	Rouge 0 à 100%
	6			000 ó 255	Vert 0 à 100%
	7			000 ó 255	Bleu 0 à 100%
8	000 ó 127	RGB, basé sur les canaux 5, 6 et 7			
	128 ó 239	Vitesse du stroboscope, lent à rapide			
	240 ó 249	Clignotement du stroboscope en fonction du son			
	250 ó 255	RGB 100%			
	9	Contrôle du Kinta 1		000 ó 024	Noir Général
			025 ó 049	Rouge	
			050 ó 074	Vert	
			075 ó 099	Bleu	
			100 ó 124	Rouge + vert	
			125 ó 149	Rouge + bleu	
			150 ó 174	Vert + bleu	
			175 ó 199	Rouge + vert + bleu	
			200 ó 224	Automatique (couleur unique seulement)	
			225 ó 255	Automatique (deux couleurs à la fois)	
	10	Fréquence de Clignotement Stroboscope du Kinta 1	000 ó 009	Pas de fonction	
			010 ó 239	Stroboscope, 0 à 30 Hz	
			240 ó 255	Stroboscope en fonction du son	
	11	Rotation du Kinta 1	000 ó 004	Stop	
			005 ó 127	Rotation horaire, lent à rapide	
			128 ó 133	Stop	
			134 ó 255	Rotation antihoraire, lent à rapide	

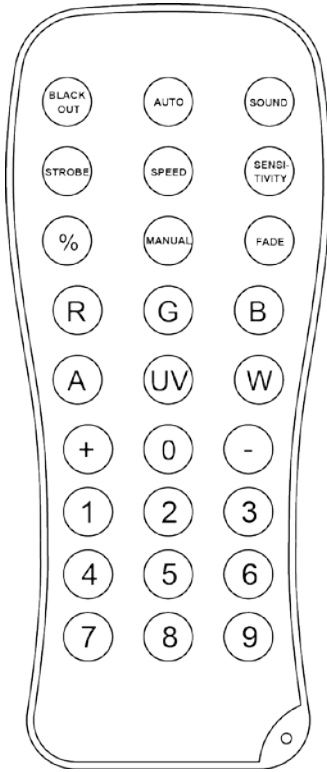
19CH	Canal	Fonction	Valeur	Paramétrage
12		Contrôle de la Couleur du Kinta 2	000 ó 024	Noir Général
			025 ó 049	Rouge
			050 ó 074	Vert
			075 ó 099	Bleu
			100 ó 124	Rouge + vert
			125 ó 149	Rouge + bleu
			150 ó 174	Vert + bleu
			175 ó 199	Rouge + vert + bleu
			200 ó 224	Automatique (couleur unique seulement)
			225 ó 255	Automatique (deux couleurs à la fois)
13		Fréquence de Clignotement Stroboscope du Kinta 1	000 ó 009	Pas de fonction
			010 ó 239	Stroboscope, 0 à 30 Hz
			240 ó 255	Stroboscope en fonction du son
14		Rotation du Kinta 2	000 ó 004	Stop
			005 ó 127	Rotation horaire, lent à rapide
			128 ó 133	Stop
			134 ó 255	Rotation antihoraire, lent à rapide
15		Stroboscope Laser	000 ó 009	Pas de fonction
			010 ó 239	Stroboscope, lent à rapide
			240 ó 255	Stroboscope en fonction du son
16		Motif Laser	000 ó 004	Stop
			005 ó 127	Rotation horaire
			128 ó 133	Stop
			134 ó 255	Rotation antihoraire
17		Motifs Stroboscope	000 ó 009	Noir Général
			010 ó 029	Programme automatique 1
			030 ó 049	Programme automatique 2
			050 ó 069	Programme automatique 3
			070 ó 089	Programme automatique 4
			090 ó 109	Programme automatique 5
			110 ó 129	Programme automatique 6
			130 ó 149	Programme automatique 7
			150 ó 169	Programme automatique 8
			170 ó 189	Programme automatique 9
			190 ó 209	Stroboscope, lent à rapide
210 ó 255	Stroboscope en fonction du son			
18		Assombrissement Stroboscope	000 ó 255	0 à 100%
19		Vitesse du Stroboscope	000 ó 255	Lent à rapide

8 CH	Canal	Fonction	Valeur	Paramétrage
	1	Couleur des Pars et des Kintas	000 ó 255	Rouge 0 à 100%
	2	Couleur des Pars et des Kintas	000 ó 255	Vert 0 à 100%
	3	Couleur des Pars et des Kintas	000 ó 255	Bleu 0 à 100%
	4	Contrôles du Stroboscope des Pars et des Kintas	000 ó 127	Tous 0 à 100%
			128 ó 239	Vitesse du stroboscope
			240 ó 249	Stroboscope activé par le son
			250 ó 255	Tous activé
	5	Rotation du Moteur du Kinta	000 ó 004	Stop
			005 ó 127	Rotation horaire, lent à rapide
			128 ó 133	Stop
			134 ó 255	Rotation antihoraire, lent à rapide
	6	Contrôles du Laser Vert	000 ó 004	Laser vert éteint
			005 ó 054	Laser vert allumé
			055 ó 255	Vitesse de stroboscope du laser vert, lent à rapide
	7	Vitesse de Déplacement du Laser	000 ó 004	Pas de déplacement
			005 ó 127	Rotation horaire, lent à rapide
			128 ó 133	Stop-motion
			134 ó 255	Rotation antihoraire, lent à rapide
	8	Vitesse du Stroboscope	000 ó 054	Assombrissement du stroboscope blanc, 0 à 100%
			055 ó 255	Vitesse du stroboscope blanc, lent à rapide

3 CH	Canal	Fonction	Valeur	Paramétrage
1		Fonctionnement LED	000 ó 009	Pas de fonction
			010 ó 229	Mode mélangé automatique, rapide à lent
			230 ó 239	Mode mélangé activé par le son
			240 ó 255	Paramètre de spectacle, lorsque les canaux 2 et 3 sont activés
2		Fonctionnement	000 ó 009	Noir Général
			010 ó 019	UNIQUEMENT les Pars allumés, effectue le spectacle uniquement avec les Pars
			020 ó 029	UNIQUEMENT les Kintas allumés
			030 ó 039	UNIQUEMENT le laser allumé
			040 ó 049	UNIQUEMENT les stroboscopes allumés, effectue le spectacle uniquement avec les stroboscopes
			050 ó 059	UNIQUEMENT les Pars et Kintas automatiques
			060 ó 069	UNIQUEMENT les Pars et le laser automatiques
			070 ó 079	UNIQUEMENT les Pars et les stroboscopes automatiques
			080 ó 089	UNIQUEMENT les Kintas et le laser automatiques
			090 ó 099	UNIQUEMENT les stroboscopes et les Kintas automatiques
			100 ó 109	Pars, Kintas et laser
			110 ó 119	Pars, Kintas et stroboscopes
			120 ó 129	Pars, laser et stroboscopes
			130 ó 139	Kintas, laser et stroboscopes
			140 ó 149	Effet Par activé par le son
			150 ó 159	Effet Kinta activé par le son
			160 ó 169	Effet laser activé par le son
			170 ó 179	Effet stroboscope activé par le son
			180 ó 189	Pars et Kintas activés par le son
			190 ó 199	Pars et lasers activés par le son
			200 ó 209	Pars et stroboscopes activés par le son
			210 ó 219	Kintas et lasers activés par le son
			220 ó 229	Kintas et stroboscopes activés par le son
			230 ó 239	Pars, Kintas et laser activés par le son
			240 ó 244	Pars, Kintas et stroboscopes activés par le son
245 ó 249	Pars, laser et stroboscopes activés par le son			
250 ó 255	Kintas, laser et stroboscopes activés par le son			
3		Vitesse Auto	000 ó 255	Vitesse, lorsque 050–099 dans le canal 2

Fonctionnement avec l'IRC-6 (Télécommande par infrarouge 6)

Remarque : Assurez-vous de pointer la télécommande directement vers le récepteur sur l'appareil.



Mode Automatique

Le mode automatique vous permet de lancer les programmes automatiques sur l'appareil.

Pour activer le mode automatique :

- Appuyez en laissant enfoncé la touche **<AUTO>** sur l'IRC-6.
- Appuyez sur n'importe quel chiffre entre **<0>** et **<9>** pour choisir votre programme automatique.
 - **<0> Tout Activé**
 - **<1> AP01**
 - **<2> AP02**
 - **<3> AK01**
 - **<4> AL01**
 - **<5> APK1**
 - **<6> APL1**
 - **<7> AKL1**
 - **<8> APKL**
 - **<9> AKLS**
- Appuyez sur **<+>** ou **<->** pour augmenter ou diminuer la vitesse du programme.

Mode d'Activation par le Son

Le mode d'activation par le son permet à l'appareil de réagir à la musique.

Pour activer le mode d'activation par le son :

- Appuyez en laissant enfoncé la touche **<SOUND>** sur l'IRC-6.
- Appuyez sur n'importe quel chiffre entre **<0>** et **<9>** pour choisir votre programme automatique.
 - **<0> Tout Activé**
 - **<1> SP01**
 - **<2> SP02**
 - **<3> SK01**
 - **<4> SL01**
 - **<5> SPK1**
 - **<6> SPL1**
 - **<7> SKL1**
 - **<8> SPKL**
 - **<9> SKLS**

Modes Stroboscope

Pour régler le programme et la cadence du stroboscope :

- Appuyez en laissant enfoncé la touche **<STROBE>** sur l'IRC-6.
- Appuyez sur **<0>** pour activer tous les stroboscopes ou sur n'importe quel chiffre entre **<1>** et **<9>** pour choisir votre programme automatique.
- Appuyez sur les touches **<+>** ou **<->** pour augmenter ou diminuer la cadence du stroboscope.
- Appuyez sur la touche **<STROBE>** à nouveau pour l'allumer.

Opérations Diverses

Pour régler la vitesse de fondu de la sortie couleur des Pars et des Kintas :

- Appuyez en laissant enfoncé la touche **<FADE>** sur l'IRC-6.
- Appuyez sur les touches **<+>** ou **<->** pour augmenter ou diminuer la vitesse de fondu.

Pour régler la luminosité de la couleur ou du stroboscope :

- Appuyez sur la touche **<%>** sur la télécommande IRC-6.

1 Appui	2 Appuis	3 Appuis	4 Appuis	5 Appuis
100%	75%	50%	25%	0%

Pour éteindre les lumières :

- Appuyez sur la touche **<BLACK OUT>** sur la télécommande IRC-6. Cela désactive toutes les lumières jusqu'à ce que le bouton soit pressé de nouveau.

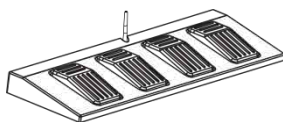
Remarque : L'IRC-6 ne répond à aucune commande lorsque le mode Noir Total (Black Out) est activé. Si la télécommande ne répond pas lors de l'appui sur une touche, essayez d'appuyer sur la touche **<BLACK OUT>**. Il se peut que vous ayez activé le mode Noir Total par erreur.

Fonctionnement avec la Pédale

La pédale sans fil incluse permet un accès rapide aux couleurs prédéfinies, aux programmes de changement de couleurs et à l'activation par le son grâce au microphone du GigBAR™ IRC.

Pour utiliser la pédale :

1. Mettez le GigBAR™ IRC sous tension.
2. Relevez les antennes sans fil situées sur le GigBAR™ IRC et la pédale.
3. Appuyez sur pedal #1 (Auto) pour activer les contrôles de programme automatique. Si tout se passe bien, toutes les lumières démarrent en mode automatique (**AM01**).
4. Utilisez le tableau ci-dessous pour activer la fonction souhaitée.



Pédale	Sous-option	Fonction
1 (Auto)	1 appui	Pars, Kintas, laser et stroboscopes en mode automatique (AM01)
	2 appuis	AP01
	3 appuis	AP02
	4 appuis	AK01
	5 appuis	AL01
	6 appuis	APK1
	7 appuis	APL1
	8 appuis	AKL1
	9 appuis	APKL
	10 appuis	AKLS
2 (Activation par le Son)	1 appui	Pars, Kintas, laser et stroboscopes en mode d'activation par le son (SM01)
	2 appuis	SP01
	3 appuis	SP02
	4 appuis	SK01
	5 appuis	SL01
	6 appuis	SPK1
	7 appuis	SPL1
	8 appuis	SKL1
	9 appuis	SPKL
	10 appuis	SKLS
3 (Couleur)	1 appui	Rouge sans laser, pas de stroboscope
	2 appuis	Vert sans laser, pas de stroboscope
	3 appuis	Bleu sans laser, pas de stroboscope
	4 appuis	Jaune sans laser, pas de stroboscope
	5 appuis	Cyan sans laser, pas de stroboscope
	6 appuis	Rose sans laser, pas de stroboscope
	7 appuis	Blanc sans laser, pas de stroboscope
	8 appuis	Rouge avec laser, pas de stroboscope
	9 appuis	Vert avec laser, pas de stroboscope
	10 appuis	Bleu avec laser, pas de stroboscope
	11 appuis	Jaune avec laser, pas de stroboscope
	12 appuis	Cyan avec laser, pas de stroboscope
	13 appuis	Rose avec laser, pas de stroboscope
	14 appuis	Blanc avec laser, pas de stroboscope
4 (Noir Général)	N/A	Permet d' éteindre immédiatement tous les accessoire lumineux

Voir [Plan du Menu](#) pour la description

Voir [Plan du Menu](#) pour la description



La pédale GigBAR™ IRC fonctionne correctement dans n'importe quel mode, avec une distance sans obstacle maximale de 30,5 m (100 pi). Vous devez éteindre le Wi-Fi™ sur le GigBAR™ IRC avant d'utiliser la pédale.

5. INFORMATIONS TECHNIQUES

Entretien de l'Appareil

L'accumulation de poussière réduit la sortie de lumière et peut entraîner une surchauffe de l'appareil. Pour conserver des performances optimales, nettoyez l'appareil au moins deux fois par mois. Cependant, l'utilisation et les conditions environnementales contribuent à augmenter la fréquence de nettoyage.

Pour nettoyer l'appareil, suivez les instructions ci-dessous :

1. Débranchez l'appareil.
2. Attendez que l'appareil soit à la température ambiante.
3. Utilisez un aspirateur (ou un compresseur d'air) et une brosse douce pour enlever la poussière accumulée sur les surfaces/ventilations externes.
4. Nettoyez le panneau transparent (ouverture du laser) avec une solution douce de nettoyant pour vitres sans ammoniac ou de l'alcool isopropylique.
5. Appliquez la solution directement sur un chiffon de coton doux et non pelucheux ou un tissu de nettoyage d'objectif.
6. Essuyez soigneusement toute trace de saleté ou d'encrassement sur les bords extérieurs de la vitre.
7. Nettoyez en douceur la surface transparente jusqu'à ce que toute peluche ou trace ait disparue.



Assurez-vous de bien sécher toutes les surfaces optiques après les avoir nettoyées.



Ne faites pas tourner le ventilateur de refroidissement à l'aide d'air comprimé sous risque de l'endommager.

6. SPÉCIFICATIONS TECHNIQUES

Dimensions et Poids

GigBAR™ IRC	Longueur	Largeur	Hauteur	Poids
	1 185 mm (46,7 in)	110 mm (4,3 in)	387 mm (15,2 in)	6,6 kg (14,4 lb)
Trépied	Hauteur minimale	Hauteur maximale	Largeur de branche (encombrement)	Dimensions
	1,5 m (4,8 ft)	2,5 m (8,3 ft)	1,2 m (3,9 ft)	37,4 mm (1,5 in)

Remarque : Les dimensions en pouce sont arrondies à la décimale la plus proche.

Alimentation en Courant	Tension d'entrée	Plage	Sélection de tension
	Commutation (interne)	Entre 100 et 240 VCA, 50/60 Hz	Universelle
	Paramètre	230 V, 50 Hz	
	Consommation	43 W	
	Courant de fonctionnement	1 A	
	Courant de chaînage électrique (unités)	10,4 A (29 unités)	
	Fusible	T 1.6 A, 250 V	
	E/S alimentation	UK / Europe	
	Connecteur d'entrée d'alimentation	IEC	
	Connecteur de sortie d'alimentation	IEC	
	Prise du cordon d'alimentation	Prise locale	

Source Lumineuse

Laser	Type	Alimentation en courant	Longueur d'onde
	Laser (vert)	30 mW	532 nm

LED

Kintas	Type	Alimentation en courant	Durée de vie
	LED	6 W	50 000 heures
	Couleur	Quantité	Courant
	Rouge	2	1,7 A
	Vert	2	1,7 A
	Bleu	2	1,7 A

Pars	Type	Alimentation en courant	Durée de vie
	LED	2,5 W	50 000 heures
	Couleur	Quantité	Courant
	Tricolore RGB	6	956 mA

Stroboscopes	Type	Alimentation en courant	Durée de vie
	LED	1 W	50 000 heures
	Couleur	Quantité	Courant
	White (blanc)	4	281 mA

Optique Photo	Paramètre	Valeur	
	Angle de couverture (laser)	93°	
	Angle de couverture (kinta)	114°	
	Angle de champs (stroboscope)	18°	
	Angle de champs (Pars)	24°	
	Angle de faisceau (stroboscope)	8°	
	Angle de faisceau (Pars)	13°	
	Fréquence de stroboscope	0 à -18 Hz	
	Éclairement @ 2 m (stroboscope)	86 lux (par zone)	
	Éclairement @ 2 m (Pars)	1,205 lux à 2 m (par tête)	
Thermique	Température externe maximum	Système de refroidissement	
	40°C (104 °F)	Refroidissement par ventilateur et convection	
Pédale	Fréquence de fonctionnement	Distance maximale (sans obstacle)	
	433 MHz	30,5 m (100 pi)	
DMX	Connecteurs E/S	Type de connecteur	Plage de canaux
	Prise XLR à trois broches	Prises	3, 8 ou 19
Commande	Nom du produit	Code de l'article	Code UPC
	GigBAR™ IRC	10050931	781462212797



RENOIS

Dans le cas où vous avez besoin d'aide ou pour retourner un produit :

- Si vous résidez aux États-Unis, contactez le siège mondial de Chauvet.
- Si vous vivez au Mexique, contactez CHAUVET Mexico.
- Si vous résidez n'importe où ailleurs, NE contactez pas Chauvet. Contactez votre revendeur. Rendez-vous sur www.chauvetlighting.com pour découvrir la liste des revendeurs en dehors des États-Unis, et du Mexique.



Si vous résidez en dehors des États-Unis ou du Mexique, contactez votre revendeur et suivez leurs instructions quant à la procédure à suivre pour renvoyer votre appareil. Consultez notre site Web à l'adresse www.chauvetlighting.com pour trouver leurs coordonnées.

Téléphonez au centre d'assistance technique de Chauvet correspondant et demandez un numéro d'autorisation de retour (NAR) avant de nous réexpédier l'appareil. Pour l'obtenir, il vous sera demandé de fournir le numéro du modèle, le numéro de série ainsi qu'une brève description de l'objet du retour.

Vous devez nous retourner la marchandise en port prépayé, dans ses boîte et emballage d'origine et avec tous ses accessoires. Chauvet ne délivrera pas d'étiquettes de renvoi.

Indiquez lisiblement le NAR sur une étiquette apposée sur le colis. Chauvet refusera la réception de tout appareil pour lequel aucun NAR n'a été demandé.



Inscrivez le NAR sur une étiquette convenablement collée. N'écrivez PAS le NAR directement sur le colis.

Avant de nous retourner le colis, inscrivez les informations suivantes, de manière lisible, sur une feuille de papier, que vous placerez à l'intérieur du colis:

- Votre nom
- Votre adresse
- Votre numéro de téléphone
- Le numéro de NAR
- Une courte description du problème

Veillez à emballer l'appareil de manière adéquate. Vous serez tenu responsable de tout dommage survenant lors de l'expédition de retour dû à un emballage inadéquat. Nous vous recommandons d'utiliser un emballage double ou celui de FedEx.



Chauvet se réserve le droit, à sa convenance, de réparer ou remplacer tout appareil qui lui est retourné.

NOUS CONTACTER

SIEGE MONDIAL - Chauvet

Informations Générales

Adresse : 5200 NW 108th Avenue
Sunrise, FL 33351
Téléphone : (954) 577-4455
Fax : (954) 929-5560
Numéro vert : (800) 762-1084

Support Technique

Téléphone : (954) 577-4455 (choix 4)
Fax : (954) 756-8015
Courriel : tech@chauvetlighting.com

Site Internet : www.chauvetlighting.com

UNITED KINGDOM AND IRELAND - Chauvet Europe Ltd.

General Information

Address: Unit 1C
Brookhill Road Industrial Estate
Pinxton, Nottingham, UK
NG16 6NT
Voice: +44 (0)1773 511115
Fax: +44 (0)1773 511110

General Information

Address: Unit 1C
Brookhill Road Industrial Estate
Pinxton, Nottingham, UK
NG16 6NT
Voice: +44 (0)1773 511115
Fax: +44 (0)1773 511110

En dehors des États-Unis, du Royaume-Uni, de l'Irlande ou du Mexique, veuillez contacter votre revendeur. Suivez leurs instructions pour demander assistance ou pour retourner un produit. Consultez notre site Web pour trouver leurs coordonnées.