

EQUINOX

Hypnos

User Manual



Order code: EQLED372

WARNING

FOR YOUR OWN SAFETY, PLEASE READ THIS USER MANUAL CAREFULLY BEFORE YOUR INITIAL START-UP!

- Before your initial start-up, please make sure that there is no damage caused during transportation.
- Should there be any damage, consult your dealer and do not use the equipment.
- To maintain the equipment in good working condition and to ensure safe operation, it is necessary for the user to follow the safety instructions and warning notes written in this manual.
- Please note that damages caused by user modifications to this equipment are not subject to warranty.



IMPORTANT:

The manufacturer will not accept liability for any resulting damages caused by the non-observance of this manual or any unauthorised modification to the equipment.

- Never let the power cable come into contact with other cables. Handle the power cable and all mains voltage connections with particular caution!
- Never remove warning or informative labels from the unit.
- Do not open the equipment and do not modify the unit.
- Do not connect this equipment to a dimmer pack.
- Do not switch the equipment on and off in short intervals, as this will reduce the system's life.
- Only use the equipment indoors.
- Do not expose to flammable sources, liquids or gases.
- Always disconnect the power from the mains when equipment is not in use or before cleaning! Only handle the power-cable by the plug. Never pull out the plug by pulling the power-cable.
- Make sure that the available mains supply voltage is between 100~240V AC, 50/60Hz.
- Make sure that the power cable is never crimped or damaged. Check the equipment and the power cable periodically.
- If the equipment is dropped or damaged, disconnect the mains power supply immediately and have a qualified engineer inspect the equipment before operating again.
- If the equipment has been exposed to drastic temperature fluctuation (e.g. after transportation), do not connect power or switch it on immediately. The arising condensation might damage the equipment. Leave the equipment switched off until it has reached room temperature.
- If your product fails to function correctly, stop use immediately. Pack the unit securely (preferably in the original packing material), and return it to your Pro Light dealer for service.
- Only use fuses of same type and rating.
- Repairs, servicing and power connection must only be carried out by a qualified technician. **THIS UNIT CONTAINS NO USER SERVICEABLE PARTS.**
- This lighting fixture is for professional use only - it is not designed for or suitable for household use. The product must be installed by a qualified technician in accordance with local territory regulations. The safety of the installation is the responsibility of the installer. The fixture presents risks of severe injury or death due to fire hazards, electric shock and falls.
- Warning! Risk Group 2 LED product according to EN 62471. Do not view the light output with optical instruments or any device that may concentrate the beam.
- **WARRANTY:** One year from date of purchase.

OPERATING DETERMINATIONS

If this equipment is operated in any other way, than those described in this manual, the product may suffer damage and the warranty becomes void. Incorrect operation may lead to danger e.g: short-circuit, burns and electric shocks etc.

Do not endanger your own safety and the safety of others!

Incorrect installation or use can cause serious damage to people and/or property.

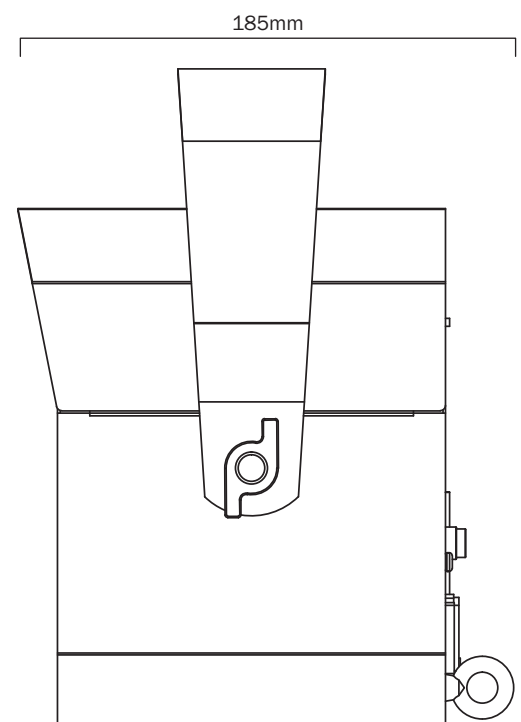
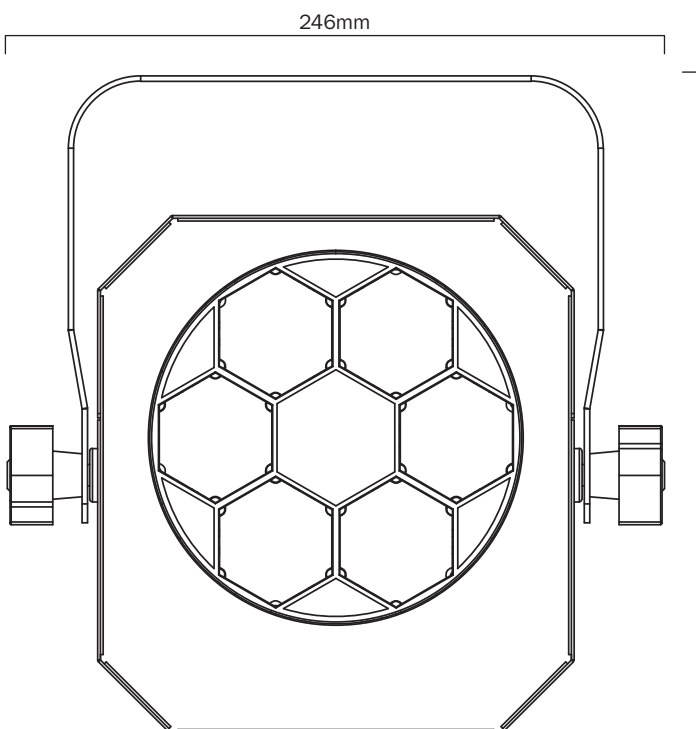
Hypnos

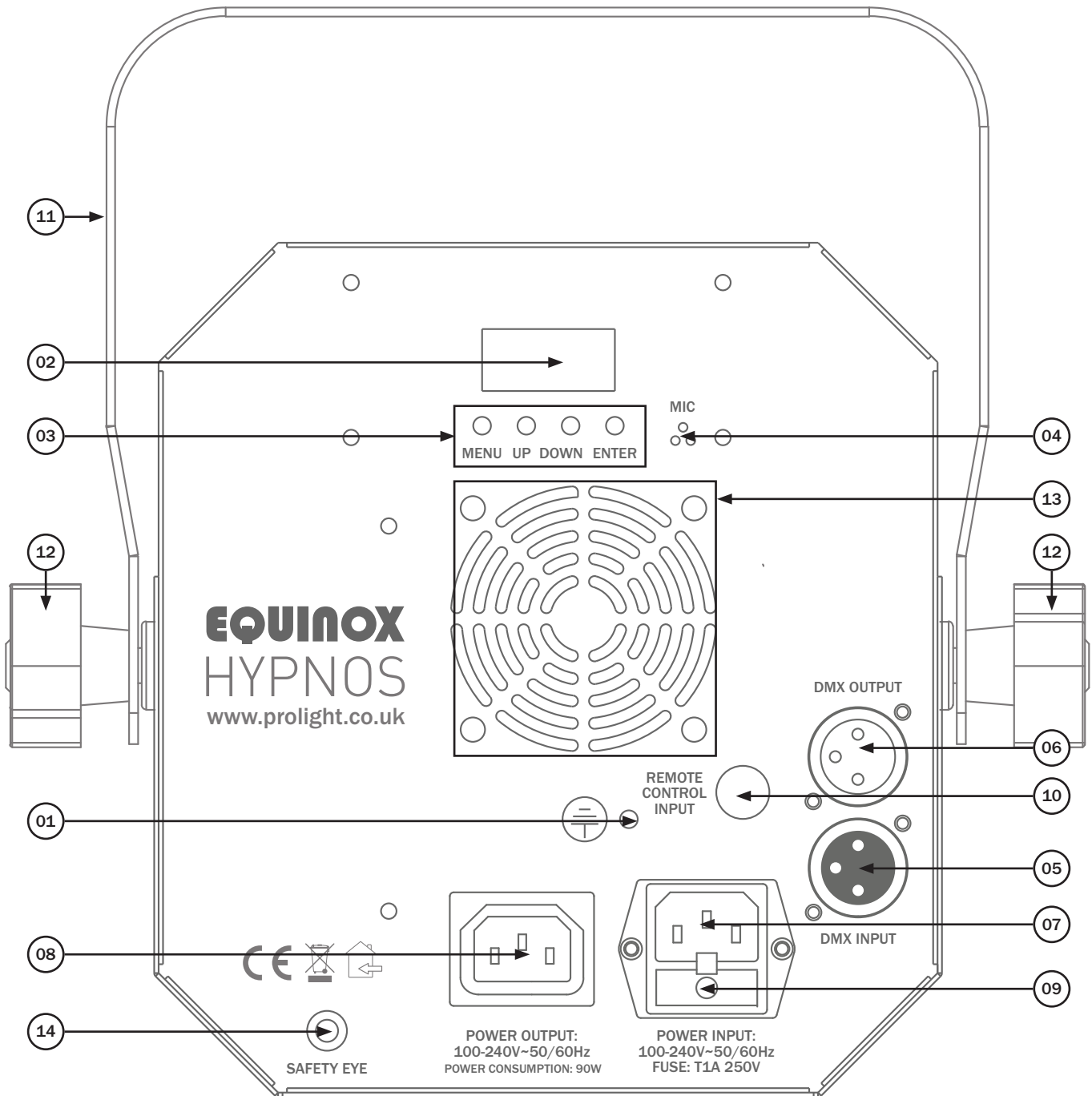
The Hypnos is a unique projection effect and is perfect for any function, event or venue. Fitted with different textured glasses it outputs several exciting illusions. When the glasses are mixed with the high output quad-colour LED your venue or event is bathed in colour changing hypnotic effects which can be controlled in several different modes as well as a choice of speed settings from slow mellow changes to fast effects via sound activation.

- 6 x 15W quad-colour LEDs (RGBW)
- DMX channels: 10 or 34 selectable
- Auto, sound active and master/slave modes plus built-in programs
- 0-100% dimming and variable strobe
- Optional CA 8 controller
- Supplied with hanging bracket
- 4 push button menu with LED display
- IEC power input/output
- 3-Pin XLR input/output
- Fan cooled



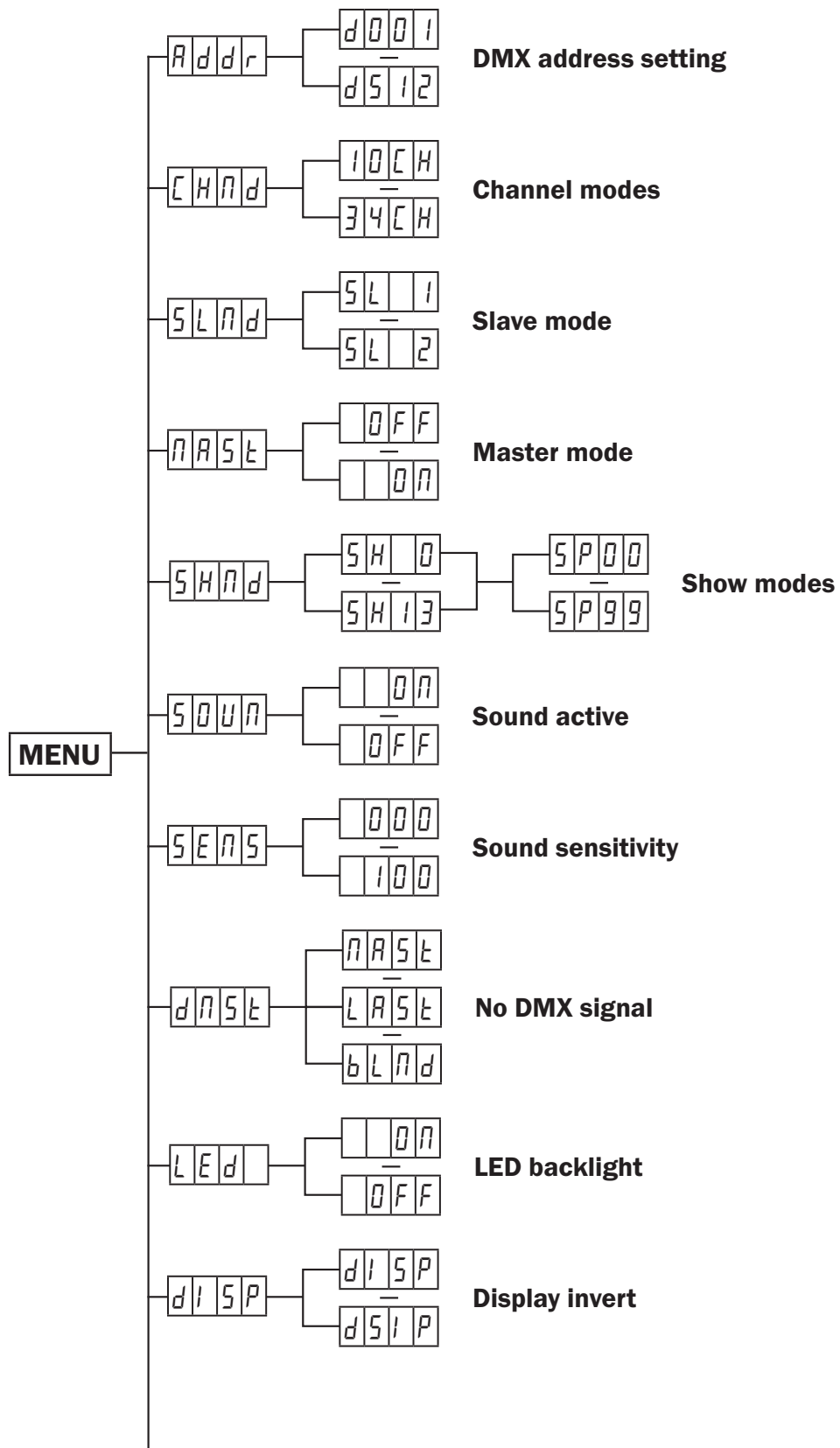
Specifications	
Power consumption	90W
Power supply	100~240V, 50/60Hz
Fuse	T1A 250V
Dimensions	246 x 246 x 185mm
Weight	3.4kg
Order code	EQLED372

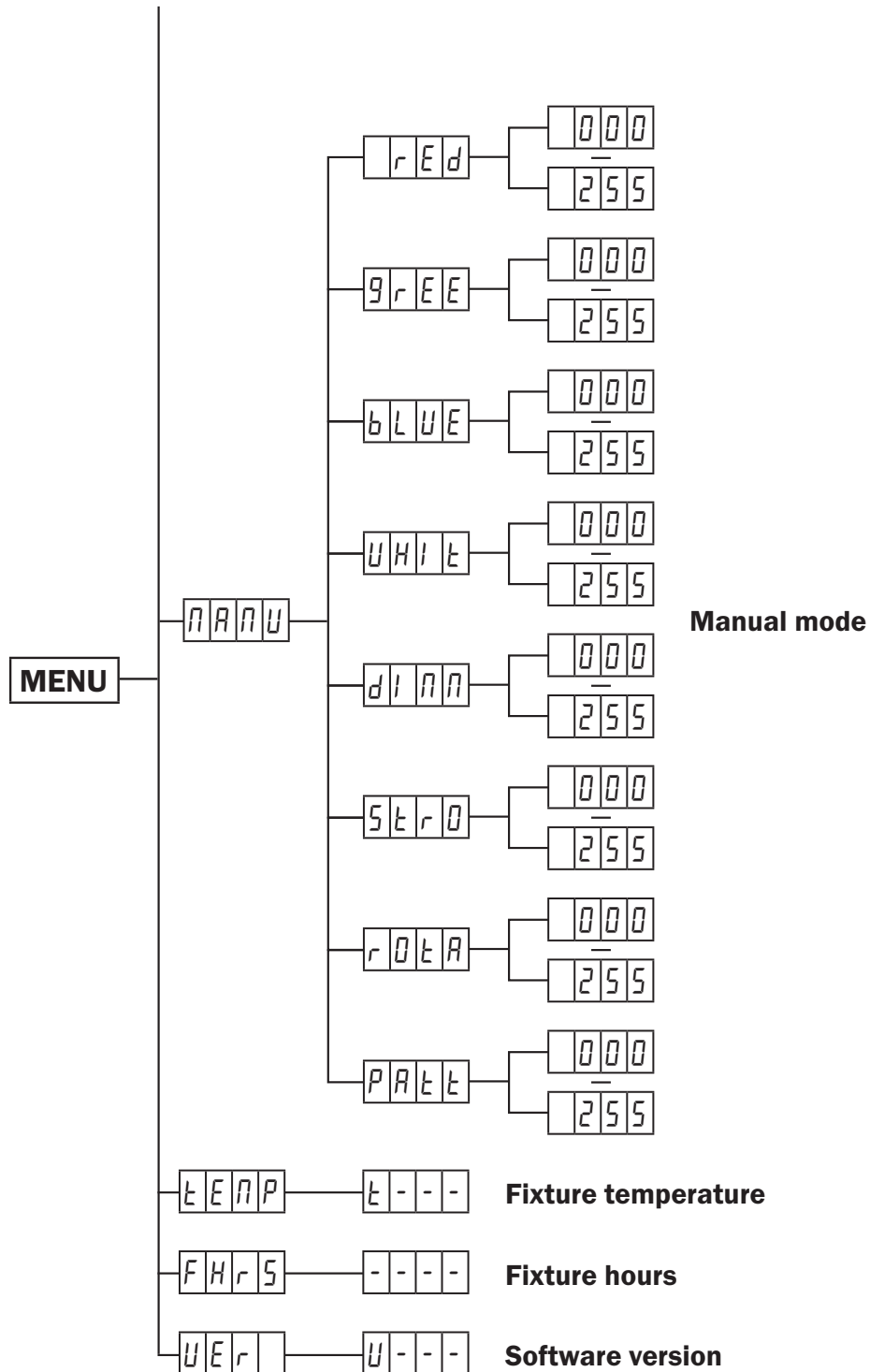




- | | | |
|-----------------------|-------------------------|---------------------------------------|
| 01 - Earth point | 06 - 3-Pin DMX output | 11 - Hanging bracket |
| 02 - LED display | 07 - IEC power input | 12 - Hanging bracket adjustment knobs |
| 03 - Function buttons | 08 - IEC power output | 13 - Fan cooling vents |
| 04 - Microphone | 09 - Fuse T1A 250V | 14 - Safety eye |
| 05 - 3-Pin DMX input | 10 - CA 8 control input | |

In the box: **1 x fixture,**
1 x power cable,
& 1 x user manual





DMX mode:

Operating in a DMX control mode environment gives the user the greatest flexibility when it comes to customising or creating a show. In this mode you will be able to control each individual trait of the fixture and each fixture independently.

To access the DMX address mode, press the “**MENU**” button and use the “**UP**” and “**DOWN**” buttons on the rear of the unit to show *Addr* on the LED display. Now press the “**ENTER**” button and use the “**UP**” and “**DOWN**” buttons to set the required DMX address. Press the “**ENTER**” button to confirm the setting. To exit out of any of the above options, press the “**MENU**” button.

DMX channel mode:

To access the DMX channel mode, press the “**MENU**” button and use the “**UP**” and “**DOWN**” buttons on the rear of the unit to show *CHnd* on the LED display. Now press the “**ENTER**” button and use the “**UP**” and “**DOWN**” buttons to choose one of the 10 or 34 DMX channel modes. Press the “**ENTER**” button to confirm the setting. To exit out of any of the above options, press the “**MENU**” button.

10 channel mode:

Channel	Value	Function
CH1	000-255	Red dimmer (0-100%)
CH2	000-255	Green dimmer (0-100%)
CH3	000-255	Blue dimmer (0-100%)
CH4	000-255	White dimmer (0-100%)
CH5	000-255	Master dimmer (0-100%)
CH6	000-063	No function
	064-095	Strobe (slow-fast)
	096-127	No function
	128-159	Strobe ramp up (slow-fast)
	160-191	No function
	192-223	Random strobe
	224-255	No function
CH7	000-003	No function
	004-021	Show 0
	022-039	Show 1
	040-057	Show 2
	058-075	Show 3
	076-093	Show 4

Channel	Value	Function
CH7 cont.	094-111	Show 5
	112-129	Show 6
	130-147	Show 7
	148-165	Show 8
	166-183	Show 9
	184-201	Show 10
	202-219	Show 11
CH8	220-237	Show 12
	238-255	Show 13
CH8	000-255	Show mode motor speed (slow-fast)
CH9	000-127	Rotation index
	128-191	Clockwise rotation (fast-slow)
	192-255	Anti-clockwise rotation (fast-slow)
CH10	000-063	Pattern 1 (water effect)
	064-127	Pattern 2 (dot effect)
	128-191	Clockwise rotation (fast-slow)
	192-255	Anti-clockwise rotation (slow-fast)

34 channel mode:

Channel	Value	Function
CH1	000-255	Red dimmer (0-100%)
CH2	000-255	Green dimmer (0-100%)
CH3	000-255	Blue dimmer (0-100%)
CH4	000-255	White dimmer (0-100%)
CH5	000-255	Master dimmer (0-100%)
CH6	000-063	No function
	064-095	Strobe (slow-fast)
	096-127	No function
	128-159	Strobe ramp up (slow-fast)
	160-191	No function
	192-223	Random strobe
	224-255	No function
CH7	000-127	Red 1 off
	128-255	Red 1 on
CH8	000-127	Green 1 off
	128-255	Green 1 on
CH9	000-127	Blue 1 off
	128-255	Blue 1 on
CH10	000-127	White 1 off
	128-255	White 1 on
CH11	000-127	Red 2 off
	128-255	Red 2 on
CH12	000-127	Green 2 off
	128-255	Green 2 on
CH13	000-127	Blue 2 off
	128-255	Blue 2 on
CH14	000-127	White 2 off
	128-255	White 2 on
CH15	000-127	Red 3 off
	128-255	Red 3 on
CH16	000-127	Green 3 off
	128-255	Green 3 on
CH17	000-127	Blue 3 off
	128-255	Blue 3 on
CH18	000-127	White 3 off
	128-255	White 3 on
CH19	000-127	Red 4 off
	128-255	Red 4 on
CH20	000-127	Green 4 off
	128-255	Green 4 on
CH21	000-127	Blue 4 off

Channel	Value	Function
CH21	128-255	Blue 4 on
CH22	000-127	White 4 off
	128-255	White 4 on
CH23	000-127	Red 5 off
	128-255	Red 5 on
CH24	000-127	Green 5 off
	128-255	Green 5 on
CH25	000-127	Blue 5 off
	128-255	Blue 5 on
CH26	000-127	White 5 off
	128-255	White 5 on
CH27	000-127	Red 6 off
	128-255	Red 6 on
CH28	000-127	Green 6 off
	128-255	Green 6 on
CH29	000-127	Blue 6 off
	128-255	Blue 6 on
CH30	000-127	White 6 off
	128-255	White 6 on
CH31	000-003	No function
	004-021	Show 0
	022-039	Show 1
	040-057	Show 2
	058-075	Show 3
	076-093	Show 4
	094-111	Show 5
	112-129	Show 6
	130-147	Show 7
	148-165	Show 8
	166-183	Show 9
	184-201	Show 10
	202-219	Show 11
220-237	Show 12	
238-255	Show 13	
CH32	000-255	Show mode motor speed (slow-fast)
CH33	000-127	Rotation index
	128-191	Clockwise rotation (fast-slow)
	192-255	Anti-clockwise rotation (fast-slow)
CH34	000-063	Pattern 1 (water effect)
	064-127	Pattern 2 (dot effect)
	128-191	Clockwise rotation (fast-slow)
	192-255	Anti-clockwise rotation (slow-fast)

Master/slave mode:

To set the master unit, press the “MENU” button and use the “UP” and “DOWN” buttons on the rear of the unit to show *MASTER* on the LED display. Now press the “ENTER” button and use the “UP” and “DOWN” buttons to choose *ON* choose *OFF*. Press the “ENTER” button to confirm the setting.

Then select your desired program.

To set the other units in slave mode, press the “MENU” button and use the “UP” and “DOWN” buttons on the rear of the unit to show *SLAVE* on the LED display. Now press the “ENTER” button and use the “UP” and “DOWN” buttons to choose either *SL 1* ~ *SL 2*. Press the “ENTER” button to confirm the setting. The unit will now run in sequence with the master unit.

To exit out of any of the above options, press the “MENU” button.

Please ensure that all slave units are set to the same DMX channel mode as the master unit.

Show mode:

To access the show modes, press the “MENU” button and use the “UP” and “DOWN” buttons on the rear of the unit to show *SHOW* on the LED display. Now press the “ENTER” button and use the “UP” and “DOWN” buttons to choose between *SH 0* ~ *SH 13*. Now press the “ENTER” button and use the “UP” and “DOWN” buttons to select the speed between *SP00* ~ *SP99*. Press the “ENTER” button to confirm the setting. To exit out of any of the above options, press the “MENU” button.

Show 0	Runs through all other show modes
Show 1	Inwards program, both patterns
Show 2	Outwards program, both patterns
Show 3	Inwards/outwards program, both patterns
Show 4	Inwards/outwards program, pattern 1
Show 5	Inwards/outwards program, pattern 2
Show 6	Inwards/outwards program, both patterns (2 colour segments 3/3)
Show 7	Outwards program, both patterns (2 colour segments 5/1)
Show 8	Inwards program, both patterns (3 colour segments)
Show 9	Inwards/outwards program, both patterns (6 colour segments)
Show 10	Inwards/outwards program, both patterns, red only (not reactive to sound)
Show 11	Inwards/outwards program, both patterns, green only (not reactive to sound)
Show 12	Inwards/outwards program, both patterns, blue only (not reactive to sound)
Show 13	Inwards/outwards program, both patterns, white only (not reactive to sound)

Sound active:

To access the sound active setting, press the “MENU” button and use the “UP” and “DOWN” buttons on the rear of the unit to show *SOUND* on the LED display. Now press the “ENTER” button and use the “UP” and “DOWN” buttons to choose between *ON* or *OFF*. Press the “ENTER” button to confirm the setting.

To exit out of any of the above options, press the “MENU” button.

Sound sensitivity:

To adjust the sound sensitivity, press the “MENU” button and use the “UP” and “DOWN” buttons on the rear of the unit to show *SENS* on the LED display. Now press the “ENTER” button and use the “UP” and “DOWN” buttons to choose between *000* ~ *100*. Press the “ENTER” button to confirm the setting.
Value: 0 - 100 (0 = low, 100 = high)

To exit out of any of the above options, press the “MENU” button.

DMX signal lost:

To change what the unit does when the DMX signal is lost, press the “MENU” button and use the “UP” and “DOWN” buttons on the rear of the unit to show *DMSE* on the LED display. Now press the “ENTER” button and use the “UP” and “DOWN” buttons to choose between *MAST* (Master/Slave), *LAST* (Hold the last DMX command) or *BLND* (Blackout).

Press the “ENTER” button to confirm the setting.

To exit out of any of the above options, press the “MENU” button.

LED backlight:

To access the LED backlight setting, press the “MENU” button and use the “UP” and “DOWN” buttons on the rear of the unit to show *LED* on the LED display. Now press the “ENTER” button and use the “UP” and “DOWN” buttons to choose between *ON* or *OFF*. Press the “ENTER” button to confirm the setting.
To exit out of any of the above options, press the “MENU” button.

Display invert setting:

To access the display invert setting, press the “MENU” button and use the “UP” and “DOWN” buttons on the rear of the unit to show *DISP* on the LED display. Now press the “ENTER” button and use the “UP” and “DOWN” buttons to choose between *DISP* or *DISI P*. Press the “ENTER” button to confirm the setting.
To exit out of any of the above options, press the “MENU” button.

Manual mode:

To access manual mode, press the “MENU” button on the front of the unit to show *MANU* on the LED display. Now press the “ENTER” button and use the “UP” and “DOWN” buttons to choose between *RED* (Red), *GR EE* (Green), *BLUE* (Blue), *WHITE* (White), *DI NN* (Master dimmer), *STRO* (Strobe), *ROTA* (Rotation) or *PATE* (Pattern). Press the “ENTER” button and use the “UP” and “DOWN” buttons to choose between *000* ~ *255*.

Press the “ENTER” button to confirm the setting.

To exit out of any of the above options, press the “MENU” button.

Fixture temperature:

To access the fixtures temperature, press the “MENU” button and use the “UP” and “DOWN” buttons on the rear of the unit to show *TEMP* on the LED display. Now press the “ENTER” button.

The unit will now display the fixtures temperature.

To exit out of any of the above options, press the “MENU” button.

Fixture hours:

To access the fixtures usage time, press the “**MENU**” button and use the “**UP**” and “**DOWN**” buttons on the rear of the unit to show *FHR 5* on the LED display. Now press the “**ENTER**” button.

The unit will now display the fixtures usage time (hours).

To exit out of any of the above options, press the “**MENU**” button.

Software version:

To access the fixtures software version, press the “**MENU**” button and use the “**UP**” and “**DOWN**” buttons on the rear of the unit to show *VER* on the LED display. Now press the “**ENTER**” button.

The unit will now display the fixtures software version.

To exit out of any of the above options, press the “**MENU**” button.

CA 8 function:

The unit has a CA 8 remote control input on the rear. This may be used with the CA 8 hand controller (sold separately) to control the unit. Please see functions below.

Blackout - By pressing the Stand By button the fixture will blackout.

Mode - Use this button to put the fixture into auto, show or motor speed modes.

Auto mode (Show 0) - LED off

Motor speed (1-9) - LED on

Show modes (Shows 1-13) - LED flashing

Function - Once you have chosen the mode you require use this button to set the motor speed or show mode.

Speed (1-9)

Show modes (Shows 1-13)

Setting the DMX address:

The DMX mode enables the use of a universal DMX controller. Each fixture requires a “start address” from 1- 512. A fixture requiring one or more channels for control begins to read the data on the channel indicated by the start address. For example, a fixture that occupies or uses 7 channels of DMX and was addressed to start on DMX channel 100, would read data from channels: 100,101,102,103,104,105 and 106. Choose a start address so that the channels used do not overlap. E.g. the next unit in the chain starts at 107.

DMX 512:

DMX (Digital Multiplex) is a universal protocol used as a form of communication between intelligent fixtures and controllers. A DMX controller sends DMX data instructions from the controller to the fixture. DMX data is sent as serial data that travels from fixture to fixture via the DATA “IN” and DATA “OUT” XLR terminals located on all DMX fixtures (most controllers only have a data “out” terminal).

DMX linking:

DMX is a language allowing all makes and models of different manufactures to be linked together and operate from a single controller, as long as all fixtures and the controller are DMX compliant. To ensure proper DMX data transmission, when using several DMX fixtures try to use the shortest cable path possible. The order in which fixtures are connected in a DMX line does not influence the DMX addressing. For example; a fixture assigned to a DMX address of 1 may be placed anywhere in a DMX line, at the beginning, at the end, or anywhere in the middle. When a fixture is assigned a DMX address of 1, the DMX controller knows to send DATA assigned to address 1 to that unit, no matter where it is located in the DMX chain.

DATA cable (DMX cable) requirements (for DMX operation):

This fixture can be controlled via DMX-512 protocol. The DMX address is set on the back of the unit. Your unit and your DMX controller require a standard 3-pin XLR connector for data input/output, see image below.



Further DMX cables can be purchased from all good sound and lighting suppliers or Pro Light Concepts dealers.

Please quote:

CABL10 – 2m

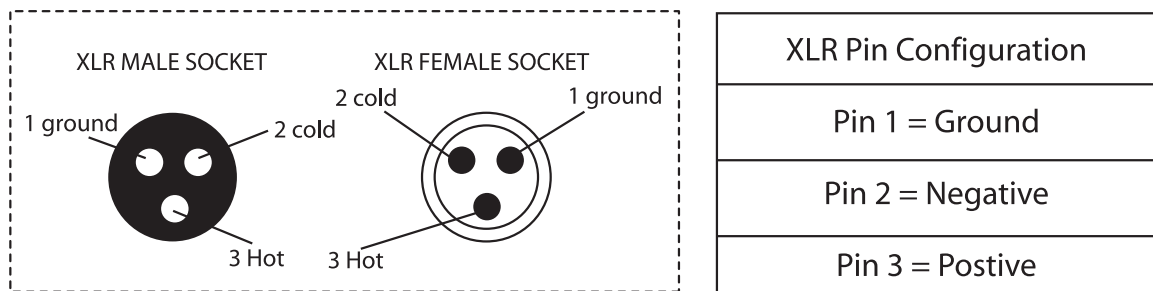
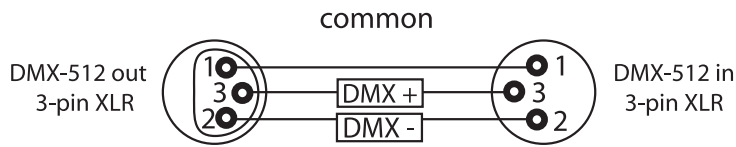
CABL11 – 5m

CABL12 – 10m

Also remember that DMX cable must be daisy chained and cannot be split.

Notice:

Be sure to follow the diagrams below when making your own cables. Do not connect the cables shield conductor to the ground lug or allow the shield conductor to come in contact with the XLRs outer casing. Grounding the shield could cause a short circuit and erratic behaviour.



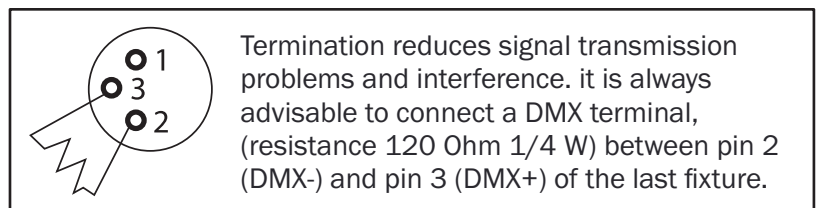
Special note:

Line termination:

When longer runs of cable are used, you may need to use a terminator on the last unit to avoid erratic behaviour.

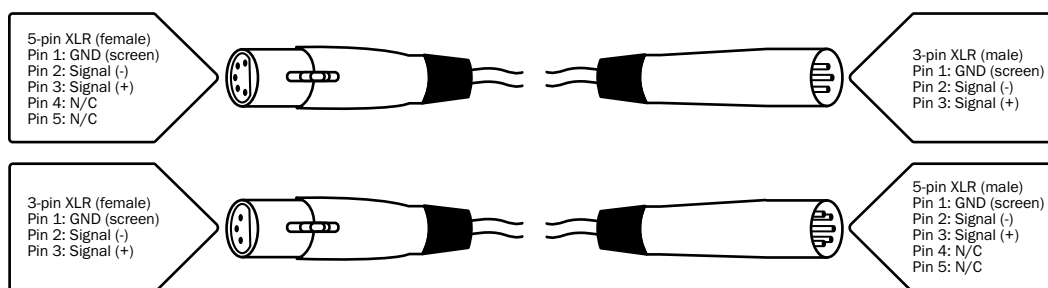
Using a cable terminator will decrease the possibilities of erratic behaviour.

(3-pin - Order ref: CABL90, 5-pin - Order ref: CABL89)



5-pin XLR DMX connectors:

Some manufactures use 5-pin XLR connectors for data transmission in place of 3-pin. 5-pin XLR fixtures may be implemented in a 3-pin XLR DMX line. When inserting standard 5-pin XLR connectors in to a 3-pin line a cable adaptor must be used. The diagram below details the correct cable conversion.





Correct Disposal of this Product (Waste Electrical & Electronic Equipment)

**(Applicable in the European Union and other European countries
with separate collection systems)**

This marking shown on the product or its literature, indicates that it should not be disposed of with other household wastes at the end of its working life. To prevent possible harm to the environment or human health from uncontrolled waste disposal, please separate this from other types of wastes and recycle it responsibly to promote the sustainable reuse of material resources.

Household users should contact either the retailer where they purchased this product, or their local government office, for details of where and how they can take this item for environmentally safe recycling.

Business users should contact their supplier and check the terms and conditions of the purchase contract. This product should not be mixed with other commercial wastes for disposal.



EQUINOX