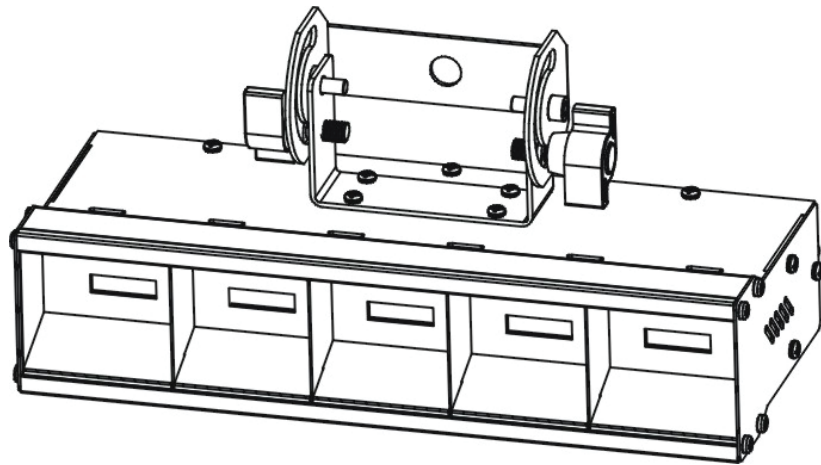




American DJ
**FREQ 5
STROBE**



User Instructions

FREQ 5 Strobe

Introduction

Unpacking: Thank you for purchasing the FREQ 5 Strobe by American DJ®. Every FREQ 5 Strobe has been thoroughly tested and has been shipped in perfect operating condition. Carefully check the shipping carton for damage that may have occurred during shipping. If the carton appears to be damaged, carefully inspect your fixture for any damage and be sure all accessories necessary to operate the unit has arrived intact. In the case damage has been found or parts are missing, please contact our toll free customer support number for further instructions. Do not return this unit to your dealer without first contacting customer support.

Introduction: The FREQ 5 Strobe is part of American DJ's continuing pursuit for creating high quality affordable intelligent fixtures. The FREQ 5 Strobe is a revolutionary 5-zone LED strobe. The unit has 4 operating modes; Sound Active (with adjustable sound sensitivity), Show Mode, Manual Mode, or DMX Control. This unit can be used as a stand alone fixture, or in a Master/Slave configuration. This fixture is suitable for theaters, studios, retail stores, and other similar locations.

Customer Support: American DJ® provides a toll free customer support line, to provide set up help and to answer any question should you encounter problems during your set up or initial operation. You may also visit us on the web at www.americandj.com for any comments or suggestions. Service Hours are Monday through Friday 8:00 a.m. to 4:30 p.m. Pacific Standard Time.

Voice: (800) 322-6337

Fax: (323) 582-2941

E-mail: support@americandj.com

To purchase parts online visit <http://parts.americandj.com>

Warning! To prevent or reduce the risk of electrical shock or fire, do not expose this unit to rain or moisture.

Caution! There are no user serviceable parts inside this unit. Do not attempt any repairs yourself, doing so will void your manufactures warranty. In the unlikely event your unit may require service please contact American DJ®.

PLEASE recycle the shipping carton when ever possible.

FREQ 5 Strobe

General Instructions

To optimize the performance of this product, please read these operating instructions carefully to familiarize yourself with the basic operations of this unit. These instructions contain important safety information regarding the use and maintenance of this unit. Please keep this manual with the unit, for future reference.

FREQ 5 Strobe

Features

- Built in Microphone
- 4 DMX Channel Modes: 1 Channel Mode, 2 Channel Mode, 5 Channel Mode, & 7 Channel Mode
- 12 Show Modes
- 4 Operating Modes - Sound Active, Show Mode, Manual Mode, and DMX Control
- Sound Sensitivity Adjustable
- UC3 Remote Control Compatible (Not Included)
- Power Cord Daisy Chaining. See page 17.

FREQ 5 Strobe

Warranty Registration

The FREQ 5 Strobe carries a 3 year (1095 days) limited warranty. Please fill out the enclosed warranty card to validate your purchase and warranty. You may also register your product online at www.americandj.com. All returned service items whether under warranty or not, must be freight pre-paid and accompany a return authorization (R.A.) number. If the unit is under warranty you must provide a copy of your proof of purchase invoice. Please contact American DJ® customer support for a R.A. number.

FREQ 5 Strobe

Installation

The unit should be mounted using a mounting clamp (not provided), affixing it to the mounting bracket that is provided with the unit. Always ensure that the unit is firmly fixed to avoid vibration and slipping while operating. Always ensure that the structure to which you are attaching the unit is secure and is able to support a weight of 10 times the unit's weight. Also, always use a safety cable that can hold 12 times the weight of the unit when installing the fixture. The equipment must be installed by a professional, and it must be installed in a place where it is out of the reach of people's grasp.

FREQ 5 Strobe

Safety Precautions

- To reduce the risk of electrical shock or fire, do not expose this unit rain or moisture
- Do not spill water or other liquids into or on to your unit.
- Do not attempt to operate this unit if the power cord has been frayed or broken. Do not attempt to remove or break off the ground prong from the electrical cord. This prong is used to reduce the risk of electrical shock and fire in case of an internal short.
- Disconnect from main power before making any type of connection.
- Do not remove the cover under any conditions. There are no user serviceable parts inside.
- Never operate this unit when it's cover is removed.
- Never plug this unit in to a dimmer pack
- Always be sure to mount this unit in an area that will allow proper ventilation. Allow about 6" (15cm) between this device and a wall.
- Do not attempt to operate this unit, if it becomes damaged.
- This unit is intended for indoor use only, use of this product out doors voids all warranties.
- During long periods of non-use, disconnect the unit's main power.
- Always mount this unit in safe and stable matter.
- Power-supply cords should be routed so that they are not likely to be walked on or pinched by items placed upon or against them, paying particular attention to the point they exit from the unit.
- Cleaning -The fixture should be cleaned only as recommended by the manufacturer. See page 17 for cleaning details.
- Heat -The appliance should be situated away from heat sources such as radiators, heat registers, stoves, or other appliances (including amplifiers) that produce heat.
- The fixture should be serviced by qualified service personnel when:
 - A. The power-supply cord or the plug has been damaged.
 - B. Objects have fallen, or liquid has been spilled into the appliance.
 - C. The appliance has been exposed to rain or water.
 - D. The appliance does not appear to operate normally or exhibits a marked change in performance.

Power Supply: The American DJ® FREQ 5 Strobe contains a automatic voltage switch, which will auto sense the voltage when it is plugged into the power source. With this switch there is no need to worry about the correct power voltage, this unit can be plugged in anywhere.

DMX-512: DMX is short for Digital Multiplex. This is a universal protocol used as a form of communication between intelligent fixtures and controllers. A DMX controller sends DMX data instructions from the controller to the fixture. DMX data is sent as serial data that travels from fixture to fixture via the DATA “IN” and DATA “OUT” XLR terminals located on all DMX fixtures (most controllers only have a DATA “OUT” terminal).

DMX Linking: DMX is a language allowing all makes and models of different manufactures to be linked together and operate from a single controller, as long as all fixtures and the controller are DMX compliant. To ensure proper DMX data transmission, when using several DMX fixtures try to use the shortest cable path possible. The order in which fixtures are connected in a DMX line does not influence the DMX addressing. For example; a fixture assigned a DMX address of 1 may be placed anywhere in a DMX line, at the beginning, at the end, or anywhere in the middle. When a fixture is assigned a DMX address of 1, the DMX controller knows to send DATA assigned to address 1 to that unit, no matter where it is located in the DMX chain.

Data Cable (DMX Cable) Requirements (For DMX Operation):

The FREQ 5 Strobe has 4 DMX Channel modes. The DMX address is set on the rear panel of the FREQ 5 Strobe. Your unit and your DMX controller require a approved DMX-512 110 Ohm Data cable for data input and data output. We recommend Accu-Cable DMX cables. If you are making your own cables, be sure to use standard 110-120 Ohm shielded cable (This cable may be purchased at almost all professional sound and lighting stores). Your cables should be made with a male and female XLR connector on either end of the cable. Also remember that DMX cable must be daisy chained and cannot be split.



Figure 1

Notice: Be sure to follow figures two and three when making your own cables. Do not use the ground lug on the XLR connector. Do not connect the cable’s shield conductor to the ground lug or allow the shield conductor to come in contact with the XLR’s outer casing. Grounding the shield could cause a short circuit and erratic behavior.

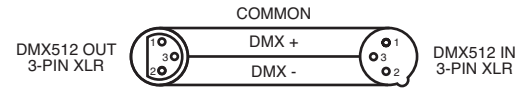


Figure 2

XLR Pin Configuration	
Pin 1 =	Ground
Pin 2 =	Data Compliment (negative)
Pin 3 =	Data True (positive)

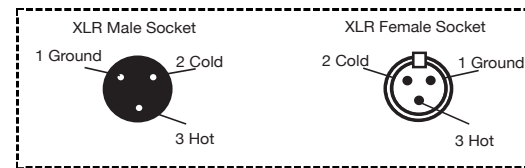


Figure 3

Special Note: Line Termination. When longer runs of cable are used, you may need to use a terminator on the last unit to avoid erratic behavior. A terminator is a 110-120 ohm 1/4 watt resistor which is connected between pins 2 and 3 of a male XLR connector (DATA + and DATA -). This unit is inserted in the female XLR connector of the last unit in your daisy chain to terminate the line. Using a cable terminator (ADJ part number Z-DMX/T) will decrease the possibilities of erratic behavior.

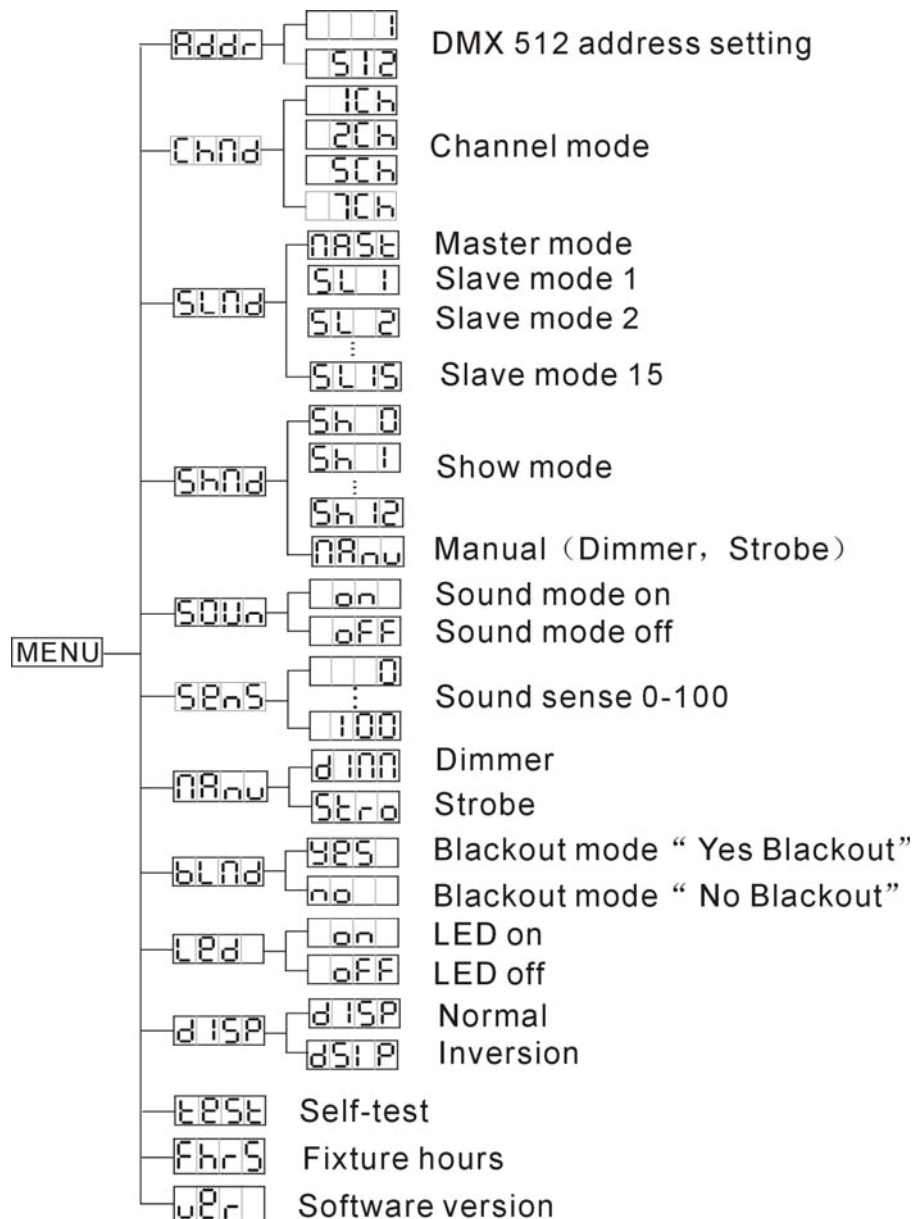


Termination reduces signal errors and avoids signal transmission problems and interference. It is always advisable to connect a DMX terminal, (Resistance 120 Ohm 1/4 W) between PIN 2 (DMX-) and PIN 3 (DMX +) of the last fixture.

Figure 4

5-Pin XLR DMX Connectors. Some manufactures use 5-pin DMX-512 data cables for DATA transmission in place of 3-pin. 5-pin DMX fixtures may be implemented in a 3-pin DMX line. When inserting standard 5-pin data cables in to a 3-pin line a cable adaptor must be used, these adaptors are readily available at most electric stores. The chart below details a proper cable conversion.

3-Pin XLR to 5-Pin XLR Conversion		
Conductor	3-Pin XLR Female (Out)	5-Pin XLR Male (In)
Ground/Shield	Pin 1	Pin 1
Data Compliment (- signal)	Pin 2	Pin 2
Data True (+ signal)	Pin 3	Pin 3
Not Used		Do Not Use
Not Used		Do Not Use

**ADDR - DMX Address Setting via control board -**

1. Press the MENU button until "ADDR" is displayed, press ENTER.
2. "X" will now be displayed, "X" represents the displayed address. Press the UP or DOWN buttons to find your desired address.
3. Press ENTER to confirm, then connect your DMX controller.

NOTE: If after you connect your DMX controller the unit does not fall into DMX mode, press and hold the MENU button for at least 3 seconds.

CHND - This will let select your desired DMX channel mode.

1. Press the either the MENU button until "CHND" is displayed, press ENTER. Either "1Ch", "2Ch", "5Ch" or "7Ch" will be displayed
2. Press the UP or DOWN buttons to find your desired DMX channel mode and press ENTER to confirm and exit.

SLND - This will let you set unit as a master or slave in a master/slave configuration.

1. Press the MENU button until "SLND" is displayed, press ENTER. Either "MAST", "SL 1", "SL 2" - "SL 15" will be displayed.
2. Press the UP or DOWN buttons until your desired setting is displayed, press ENTER to confirm.

NOTE: In a Master/Slave configuration you can set one fixture to Slave 1 (SL 1) and then set the next fixture to Slave 2 (SL 2), in doing this the fixtures will now have contrast movement to each other.

SHND: SH 0 - SH 12 - Show modes 0 - 12 & Manual show. Show mode can run with or without sound active mode on.

Manual show is used in conjunction with knobs located on the rear of the unit. **NOTE: When running the fixture as a single fixture, it must be set to the Master setting.**

See page 14 for Master setting.

1. Press the MENU button until “SHND” is displayed, press ENTER.
2. “SH X” will now be displayed, “X” representing a number between 0-12 or “MANU” will be displayed. Shows 1-12 are preset shows, while “SH 0” is random show. “MANU” is Manual mode, in this mode you adjust the dimmer and strobe to your desire using the knobs located on the rear of the unit. Press the UP or DOWN buttons to find your desired show.
3. Once you have found your desired show press ENTER, and then press and hold the MENU button for at least 3 seconds to confirm.

SOUN - In this submenu you can activate sound active mode. **NOTE: When running the fixture as a single fixture, it must be set to the Master setting.**

See page 14 for Master setting.

1. Press the MENU button until “SOUN” is displayed, press ENTER.
2. Either “ON” or “OFF” will now be displayed. Press the UP or DOWN buttons to select one or the other.
3. When you have made your selection, press the ENTER, and then press and hold the MENU button for at least 3 seconds to confirm.

SENS - Sound sensitivity control.

1. Press the MENU button until “SENS” is displayed, press ENTER.
2. The display will show a number between 0-100. Press the UP or DOWN buttons to adjust the sound sensitivity. 0 being the least sensitive and 100 the most sensitive.

3. Press the ENTER, and then press and hold the MENU button for at least 3 seconds to confirm.

MANU - In this mode you can manually control the dimmer and strobe rate. Unlike the Manual show located under the Show Mode submenu, this Manual mode is **NOT USED** with the knobs located on the rear of the unit.

1. Press the MENU button until “MANU” is displayed, press ENTER.
2. Either “DIMM” or “STRO” will now be displayed. Press the UP or DOWN buttons to switch between either setting.
3. When you have decided on what setting you would like to adjust first, press the ENTER button. Use the UP and DOWN buttons to make adjustments. Once you have made your desired adjustments press ENTER.
4. Once you have finished with your adjustments **DO NOT** leave this function. If you press the MENU button, all adjustments will be lost and you will have to start over.

BLND - In this submenu you can activate blackout

1. Press the MENU button until “BLND” is displayed, press ENTER.
2. Either “YES” or “NO” will now be displayed. Press the UP or DOWN buttons to select one or the other.
3. Press ENTER to confirm your selection.

LED - With this function the LED display will turn off after 2 minutes.

1. Press the MENU button until “LED” is displayed, press ENTER.
2. Either “ON” or “OFF” will now be displayed. Press the UP or DOWN buttons to select “ON” to keep the LED display on at all

times, or “OFF” to allow the LED display to turn off after 2 minutes. Press any button to turn the LED display on again.

3. Press ENTER to confirm your selection.

DISP - This will “flip” the LED display

1. Press the MENU button until “DISP” is displayed, press ENTER.

2. When “DISP” is displayed the LED display will remain normal, when “DISP” is displayed, the LED display will be “flipped”. Use the ENTER button to find your desired display set up, then press MENU to confirm and exit.

TEST - This function will run a self test program.

1. Press the MENU button until “TEST” is displayed, press ENTER.

2. The fixture will now run a self test. Press the MENU button to exit.

FHRS - With this function you can display the running time of the unit.

1. Press the MENU button until “FHRS” is displayed, press ENTER.

2. The running time of the fixture will now be displayed. Press MENU to exit.

VER - This will display the software version

1. Press the MENU button until “VER” is displayed. Press the ENTER button and the software version will be displayed.

2. Press the MENU button to leave this function.

Universal DMX Control: This function allows you to use a Elation® universal DMX-512 controller to control the chases and patterns, dimmer and strobe. A DMX controller allows you to create unique programs tailored to your individual needs.

1. The FREQ 5 Strobe has 4 DMX Channel Modes; 1 Channel Mode, 2 Channel Mode, 5 Channel Mode, & 7 Channel Mode. See pages 15-16 for a detailed description of the DMX traits.
2. To control your fixture in DMX mode, follow the set-up procedures on pages 8-9 as well as the set-up specifications that are included with your DMX controller.
3. Use the controller’s faders to control the various DMX fixture traits. This will allow you to create your own programs.
4. Follow the instructions on page 8 to select your desired DMX Mode and to set the DMX address. After you have selected your DMX mode and set the address, then connect your DMX controller.
5. For longer cable runs (more than a 100 feet) use a terminator on the last fixture.
6. For help operating in DMX mode consult the manual included with your DMX controller.

Sound Active Mode: This mode allows a single unit or several units linked together, to run to the beat of the music. **NOTE: When running the fixture as a single fixture, it must be set to the Master setting. See page 14 for Master setting.**

1. Press the MENU button until “SOUN” is displayed, and press ENTER.
2. Press the UP or DOWN buttons until “ON” is displayed and press ENTER, and then press and hold the MENU button to confirm.
3. To adjust the sound sensitivity press the MENU button until “SENS” is displayed. Use the UP or DOWN buttons to adjust sensitivity. See page 9 for more info.
4. The optional *UC3 Controller* (not included) may be used to control different functions including blackout. See page 14 for UC3 controls and functions.

Show Mode: This mode allows a single unit or several units linked together, to run a selected show. **NOTE: When running the fixture as a single fixture, it must be set to the Master setting. See page 14**

for Master setting.

1. Press the MENU button until “SHND” is displayed, and press ENTER.
2. Press the UP or DOWN buttons until you find your desired show, press ENTER, then press and hold the MENU button to confirm. Please see page 9 for more info about Show Mode.
3. The optional *UC3 Controller* (not included) may be used to control different functions including blackout. See page 14 for UC3 controls and functions.

Manual Mode: This mode allows a single unit to run a manual set up.

1. Press the MENU button until “MENU” is displayed, and press ENTER.
2. Either “DIFF” or “STRO” will now be displayed. Press the UP or DOWN buttons to switch between either setting.
3. When you have decided on what setting you would like to adjust first, press the ENTER button. Use the UP and DOWN buttons to make adjustments. Once you have made your desired adjustments press ENTER.
4. Once you have finished with your adjustments **DO NOT** leave this submenu. If you press the MENU button, all adjustments will be lost and you will have to start over.
5. The optional *UC3 Controller* (not included) may be used to control different functions including blackout. See page 14 for UC3 controls and functions.

Master-Slave Operation: This function will allow you to link up to 16 units together and operate without a controller. In Master-Slave operation one unit will act as the controlling unit and the others will react to the controlling units programs. Any unit can act as a Master or as a Slave.

1. Using appropriate XLR cables, daisy chain your units together via the XLR connector on the rear of the units. Remember the Male XLR connector is the input and the Female XLR connector is the output. The first unit in the chain (master) will use the female XLR connector only - The last unit in the chain will use the male XLR connector only. For longer cable runs we suggest a terminator at the last fixture.
2. Set the Master unit to your desired operational mode. After you have set your desired operational mode, press the MENU button until “SLND” is displayed, and Press ENTER. Use the UP or DOWN buttons to find the “FIRST” setting and press ENTER.
3. On the slave units tap the MENU button until “SLND” is displayed, and Press ENTER. Use the UP or DOWN buttons to switch between “SL 1” to “SL 15”. Once you have made your choice, press ENTER. For more info see page 8.
4. The slave units will now follow the Master unit.
5. The optional *UC3 Controller* (not included) may be used to control different functions including blackout. See UC3 Control below.

Blackout	Blackout the unit	
Function	Synchronous Strobe by auto Synchronous Strobe by sound (press and hold the button)	Select Show 1 – 12 Manual mode
Mode	Strobe (LED OFF)	Show (LED ON)

FREQ 5 Strobe		1 Channel Mode
Channel	Value	Function
1	0 - 7	SHOWS BLACKOUT
	8 - 27	SHOW 1
	28 - 47	SHOW 2
	48 - 67	SHOW 3
	68 - 87	SHOW 4
	88 - 107	SHOW 5
	108 - 127	SHOW 6
	128 - 147	SHOW 7
	148 - 167	SHOW 8
	168 - 187	SHOW 9
	188 - 207	SHOW 10
	208 - 227	SHOW 11
	228 - 247	SHOW 12
	248 - 255	RANDOM SHOW

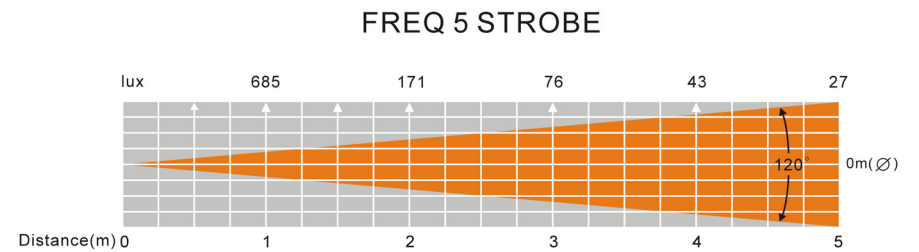
Note: All shows are sound active when a music source is present.

FREQ 5 Strobe		2 Channel Mode
Channel	Value	Function
1	0 - 255	MASTER DIMMER 0% - 100%
2	0 - 8	STROBING NO FUNCTION
	9 - 255	STROBING SLOW - FAST

FREQ 5 Strobe		5 Channel Mode
Channel	Value	Function
1 - 5	0 - 255	DIMMER 0% - 100%

FREQ 5 Strobe		7 Channel Mode
Channel	Value	Function
1 - 5	0 - 255	DIMMER 0% - 100%
6	0 - 255	MASTER DIMMER 0% - 100%
7	0 - 8	STROBING NO FUNCTION
	9 - 131	STROBING SLOW - FAST
	132 - 139	NO FUNCTION
	140 - 181	SLOW OPEN - FAST CLOSE
	182 - 189	NO FUNCTION
	190 - 231	FAST OPEN - SLOW CLOSE
	232 - 239	NO FUNCTION
	240 - 247	SOUND ACTIVE STROBING
248 - 255	NO FUNCTION	

FREQ 5 Strobe Photometric Chart



FREQ 5 Strobe

Power Cord Daisy Chain

With this feature you can connect the fixtures to one another using the IEC input and output sockets. The quantity that can be connected is 13 fixtures maximum. After 13 fixtures you will need to use a new power outlet. They must be the same fixtures. DO NOT mix fixtures.

FREQ 5 Strobe

Fuse Replacement

Locate and remove the unit's power cord. Once the cord has been removed locate the fuse holder located inside the power socket. Insert a flat-head screw driver into the power socket and gently pry out the fuse holder. Remove the bad fuse and replace with a new one. The fuse holder has a built-in socket for a spare fuse be sure not to confuse the spare fuse with active fuse.

FREQ 5 Strobe

Cleaning

Due to fog residue, smoke, and dust cleaning the internal and external optical lenses must be carried out periodically to optimize light output.

1. Use a soft cloth to wipe down the outside casing.

Cleaning frequency depends on the environment in which the fixture operates (i.e. smoke, fog residue, dust, dew).

FREQ 5 Strobe

Trouble Shooting

Listed below are a few common problems the user may encounter, with solutions.

Unit not responding to DMX:

1. Check that the DMX cables are connected properly and are wired correctly (pin 3 is "hot"; on some other DMX devices pin 2 may be 'hot'). Also, check that all cables are connected to the right connectors; it does matter which way the inputs and outputs are connected.

Unit does not respond to sound:

1. Quiet or high pitched sounds will not activate the unit.

*If problems are not resolved; Contact American DJ® for service.
1-800-322-6337*

FREQ 5 Strobe

Warranty

MANUFACTURER'S LIMITED WARRANTY

A. American DJ, Inc. hereby warrants, to the original purchaser, American DJ and American Audio products to be free of manufacturing defects in material and workmanship for a prescribed period from the date of purchase (see specific warranty period on reverse). This warranty shall be valid only if the product is purchased within the United States of America, including possessions and territories. It is the owner's responsibility to establish the date and place of purchase by acceptable evidence, at the time service is sought.

B. For warranty service you must obtain a Return Authorization number (RA#) before sending back the product. Contact American DJ, Inc. Service Department at 800-322-6337. Send the product only to the American DJ, Inc. factory. All shipping charges must be pre-paid. If the requested repairs or service (including parts replacement) are within the terms of this warranty, American DJ, Inc. will pay return shipping charges only to a designated point within the United States. If the entire instrument is sent, it must be shipped in its original package. No accessories should be shipped with the product. If any accessories are shipped with the product, American DJ, Inc. shall have no liability whatsoever for loss of or damage to any such accessories, nor for the safe return thereof.

C. This warranty is void if the serial number has been altered or removed; if the product is modified in any manner which American DJ, Inc. concludes, after inspection, affects the reliability of the product; if the product has been repaired or serviced by anyone other than the American DJ, Inc. factory unless prior written authorization was issued to purchaser by American DJ, Inc.; if the product is damaged because not properly maintained as set forth in the instruction manual.

D. This is not a service contract, and this warranty does not include maintenance, cleaning or periodic check-up. During the period specified above, American DJ, Inc. will replace defective parts at its expense with new or refurbished parts, and will absorb all expenses for warranty service and repair labor by reason of defects in material or workmanship. The sole responsibility of American DJ, Inc. under this warranty shall be limited to the repair of the product, or replacement thereof, including parts, at the sole discretion of American DJ. All products covered by this warranty were manufactured after January 1, 1990, and bear identifying marks to that effect.

E. American DJ, Inc. reserves the right to make changes in design and/or improvements upon its products without any obligation to include these changes in any products theretofore manufactured. No warranty, whether expressed or implied, is given or made with respect to any accessory supplied with products described above. Except to the extent prohibited by applicable law, all implied warranties made by American DJ, Inc. in connection with this product, including warranties of merchantability or fitness, are limited in duration to the warranty period set forth above. And no warranties, whether expressed or implied, including warranties of merchantability or fitness, shall apply to this product after said period has expired. The consumer's and/or Dealer's sole remedy shall be such repair or replacement as is expressly provided above; and under no circumstances shall American DJ, Inc. be liable for any loss or damage, direct or consequential, arising out of the use of, or inability to use, this product.

This warranty is the only written warranty applicable to American DJ and American Audio Products and supersedes all prior warranties and written descriptions of warranty terms and conditions heretofore published.

MANUFACTURER'S LIMITED WARRANTY PERIODS:

- All American Audio Products = 1-year (365 day) Limited Warranty (except V-Plus Series Amplifiers)
- All American Audio V-Plus Series Amplifiers = 3-year (1095 day) Limited Warranty
- American DJ Lighting and American DJ Branded Products = 1-year (365 day) Limited Warranty (Such as: Special Effect Lighting, Intelligent Lighting, UV lighting, Strobes, Fog Machines, Bubble Machines, Mirror Balls, Par Cans, Trussing, Lighting Stands etc. excluding Laser Products, lamps, and Star Tec Series)
- American DJ Laser Products and Star Tec Products = 90-Day Limited Warranty
- American DJ L.E.D. Products = 3-year (1095 day) Limited Warranty (excluding motors, PCB boards, and power supplies, which have a 1-year (365 day) Limited Warranty).

Model: FREQ 5 Strobe

Voltage:	100V~240V 50/60Hz
LEDs:	5 x 5W White LEDs
Power Consumption:	28W
Fuse:	7Amp
Power Cord Daisy Chain:	13 Fixtures Max.
Weight:	5lbs./ 2Kgs.
Dimensions :	12" (L) x 5.5" (W) x 5.5" (H) 302 x 140 x 140mm
Colors:	White
DMX Channels:	4 DMX Channel Modes: 1 Channel Mode, 2 Channel Mode, 5 Channel Mode, & 7 Channel Mode.
Working Position:	Any safe working position
Warranty:	3 Years (1095 days)

Auto Sensing Voltage: This fixture contains a automatic voltage switch, which will auto sense the voltage when it is plugged into the power source.

Please Note: Specifications and improvements in the design of this unit and this manual are subject to change without any prior written notice.

©American DJ Supply

American DJ World Headquarters:
6122 S. Eastern Ave. Los Angeles, CA 90040 USA
Tel: 323-582-2650 / Fax: 323-582-2610

Web: www.americandj.com / E-mail: info@americandj.com

American DJ Europe
Junostraat 2
6468 EW Kerkrade
Netherlands

Follow Us On:



facebook.com/americandj
twitter.com/americandj
youtube.com/adjlighting

service@adjgroup.eu / www.americandj.eu
Tel: +31 45 546 85 00 / Fax: +31 45 546 85 99